



Economical linear high bay delivers versatility and ultra-high efficiency. Available in 8 wattages and three sizes, for mounting heights ranging from 15 to 60 feet. Patent pending, retractable design reduces volume by up to 60% to save valuable shelf and storage space.

Color: White

Weight: 18.6 lbs

Project:	Type:
Prepared By:	Date:

Driver Info		LED Info	
Type	Constant Current	Watts	275W
120V	2.25A	Color Temp	5000K (Cool)
208V	1.30A	Color Accuracy	83 CRI
240V	1.12A	L70 Lifespan	100,000 Hours
277V	1.00A	Lumens	39,685 lm
Input Watts	277.6W	Efficacy	143

Technical Specifications

Compliance

UL Listed:

Suitable for damp locations

DLC Listed:

This product is listed by Design Lights Consortium (DLC) as an ultra-efficient premium product that qualifies for the highest tier of rebates from DLC Member Utilities. Designed to meet DLC 5.1 requirements.

DLC Product Code: P6Q8WDOE

Performance

Lifespan:

100,000-Hour LED lifespan based on IES LM-80 results and TM-21 calculations

LED Characteristics

LEDs:

Multi-chip, high-output, long-life LEDs

Color Uniformity:

RAB's range of Correlated Color Temperature follows the guidelines of the American National Standard for Specifications for the Chromaticity of Solid State Lighting (SSL) Products, ANSI C78.377-2017.

Construction

Operating Temperature:

-20°C (-4°F) to 50°C (122°F)

Housing:

22 gauge die formed with white powder coat finish. Y Hooks included for easy chain or cable mounting.

Reflector:

White painted, reflective, die formed painted steel

Lens:

Polycarbonate lens

Mounting:

V hooks and optional pendant mounting. AEROBAY® comes with two 42" chains.

Finish:

Our environmentally friendly polyester powder coatings are formulated for high-durability and long-lasting color

Green Technology:

Mercury and UV free. RoHS-compliant components.

Lightcloud

Lightcloud Controller Installed:

Integrated/embedded networked lighting control, luminaire-level lighting control. Fixture, Zone, and plug-load control from one powerful device. LLLC - capable of switching, 0-10V dimming, power/energy monitoring. Can also be used to extend the range of the Lightcloud mesh network communication protocols. Offers the capability to set the maximum light output to a less-than-maximum state of an individual luminaire at the time of installation or commissioning. The High-End trim functionality is field reconfigurable via the Lightcloud mesh network communication protocols. The Lightcloud controller can be attached to the fixture, junction box, or electrical panel.

DLC system - N1XMLOEATBA

[Learn more about Lightcloud.](#)

Electrical

Driver:

Class 2, Constant Current, 120-277V, 50/60 Hz, 120V: 2.25A, 208V: 1.30A, 240V: 1.12A, 277V: 1.0A

THD:

3.73% at 120V, 7.29% at 277V

Power Factor:

99.9% at 120V, 95.1% at 277V

Technical Specifications (continued)

Surge Protection:

10kV

Other

Replacement:

Replaces 8-lamp T5HO or 575W MH

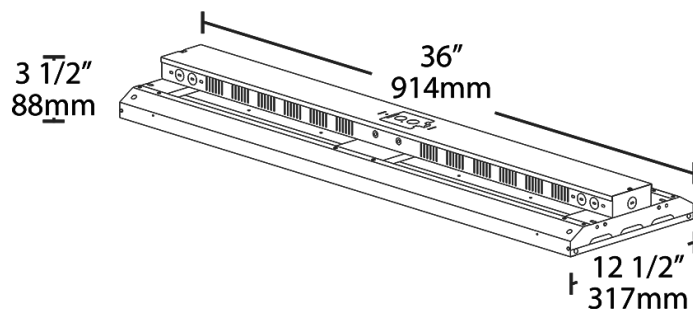
5 Yr Limited Warranty:

The RAB 5-year, limited warranty covers light output, driver performance and paint finish. RAB's warranty is subject to all terms and conditions found at rablighting.com/warranty.

Buy American Act Compliance:

RAB values USA manufacturing! Upon request, RAB may be able to manufacture this product to be compliant with the Buy American Act (BAA). Please contact customer service to request a quote for the product to be made BAA compliant.

Dimensions



Features

- High efficiency. Low price.
- Ideal for industrial warehouse spaces
- 100,000 hour LED lifespan
- 5-Year, limited warranty

Ordering Matrix

Family	Length		Wattage	Color Temp	Voltage	Control Options	Emergency Options	Other Options
ARBAY	3	-	275			/LC		/SP10
	3 = 3 ft		215 = 215W 275 = 275W	Blank = 5000K Cool N = 4000K Neutral	Blank = 120-277V, 0-10V Dimming /480 = 480V, 0-10V Dimming	Blank = No Options /PIR = 120-277V, Passive Infrared Occupancy Sensor /LC = Lightcloud® Control /LCS = 120-277V, Lightcloud® Motion Sensor	Blank = No Options /E2 = 120-277V, Battery ¹	Blank = No Options /SP10 = 10kV Surge Protection /8C = 8' Cord only ² /8CP = 8' Cord, Straight Blade Plug 120V, NEMA 5-15P ³ /8CP2 = 8' Cord, Straight Blade Plug 277V, NEMA 7-15P ³ /8CPT = 8' Cord, Twistlock Plug 120V, NEMA L5-15P ³ /8CPT2 = 8' Cord, Twistlock Plug 277V, NEMA L7-15P ³ /8CPT4 = 8' Cord, Twistlock Plug 480V, NEMA L8-20P ³

¹ For battery backup models with cord and plug dimming is not possible

² For cord only (8C) models, a 5 conductor cable will be used to make dimming possible

³ For cord and plug (8CP, 8CP2, 8CPT, 8CPT2, 8CPT4) models 0-10V dimming is not possible