

|                     |              |
|---------------------|--------------|
| <b>Project:</b>     | <b>Type:</b> |
| <b>Prepared By:</b> | <b>Date:</b> |

| Driver Info |                  | LED Info       |               |
|-------------|------------------|----------------|---------------|
| Type        | Constant Current | Watts          | 275W          |
| 120V        | N/A              | Color Temp     | 5000K (Cool)  |
| 208V        | N/A              | Color Accuracy | 83 CRI        |
| 240V        | N/A              | L70 Lifespan   | 100,000 Hours |
| 277V        | N/A              | Lumens         | 38,391 lm     |
| Input Watts | 258.7W           | Efficacy       | 148.4         |

## Technical Specifications

### Performance

#### Lifespan:

100,000-Hour LED lifespan based on IES LM-80 results and TM-21 calculations

### LED Characteristics

#### LEDs:

Multi-chip, high-output, long-life LEDs

### Color Uniformity:

RAB's range of Correlated Color Temperature follows the guidelines of the American National Standard for Specifications for the Chromaticity of Solid State Lighting (SSL) Products, ANSI C78.377-2017.

### Construction

#### Operating Temperature:

-20°C (-4°F) to 50°C (122°F)

#### Housing:

22 gauge die formed with white powder coat finish. Y Hooks included for easy chain or cable mounting.

#### Reflector:

White painted, reflective, die formed painted steel

#### Lens:

Polycarbonate lens

### Mounting:

V hooks and optional pendant mounting. AEROBAY® comes with two 42" chains.

### Cord & Plug:

8 ft cord and no plug for 120-277V and 480V

### Finish:

Our environmentally friendly polyester powder coatings are formulated for high-durability and long-lasting color

### Green Technology:

Mercury and UV free. RoHS-compliant components.

### Lightcloud

#### Lightcloud Controller Installed:

Integrated/embedded networked lighting control, luminaire-level lighting control. Fixture, Zone, and plug-load control from one powerful device. LLLC - capable of switching, 0-10V dimming, power/energy monitoring. Can also be used to extend the range of the Lightcloud mesh network communication protocols. Offers the capability to set the maximum light output to a less-than-maximum state of an individual luminaire at the time of installation or commissioning. The High-End trim functionality is field reconfigurable via the Lightcloud mesh network communication protocols. The Lightcloud controller can be attached to the fixture, junction box, or electrical panel.

DLC system - N1XMLOEATBA

[Learn more about Lightcloud.](#)

### Electrical

#### Driver:

Class 2, Constant Current, 50/60 Hz, 480V: 0.56A

#### THD:

8.31% at 480V

#### Power Factor:

98.3% at 480V

#### Surge Protection:

6kV

## Technical Specifications (continued)

### Other

#### Replacement:

Replaces 8-lamp T5HO or 575W MH

#### 5 Yr Limited Warranty:

The RAB 5-year, limited warranty covers light output, driver performance and paint finish. RAB's warranty is subject to all terms and conditions found at [rablighting.com/warranty](http://rablighting.com/warranty).

#### Buy American Act Compliance:

RAB values USA manufacturing! Upon request, RAB may be able to manufacture this product to be compliant with the Buy American Act (BAA). Please contact customer service to request a quote for the product to be made BAA compliant.

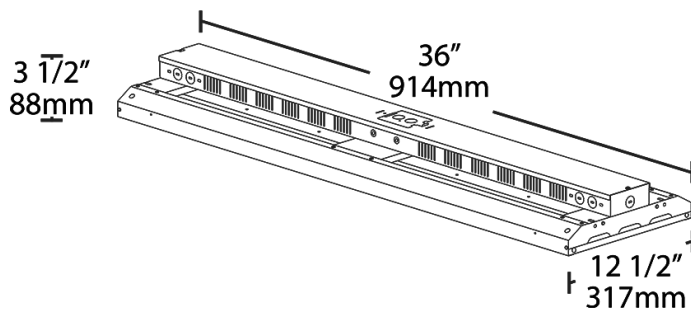
### Compliance

#### DLC Listed:

This product is listed by Design Lights Consortium (DLC) as an ultra-efficient premium product that qualifies for the highest tier of rebates from DLC Member Utilities. Designed to meet DLC 5.1 requirements.

DLC Product Code: PKENYBON

## Dimensions



## Features

- High efficiency. Low price.
- Ideal for industrial warehouse spaces
- 100,000 hour LED lifespan
- 5-Year, limited warranty

Ordering Matrix

| Family | Length   |   | Wattage                  | Color Temp                              | Voltage   | Control Options   | Emergency Options  | Other Options   |
|--------|----------|---|--------------------------|---|---|---|--|---|
| ARBAY  | 3        | - | 275                      |   | /480  | /LC   |  | /8C   |
|        | 3 = 3 ft |   | 215 = 215W<br>275 = 275W | Blank = 5000K Cool<br>N = 4000K Neutral | Blank = 120-277V, 0-10V Dimming<br>/480 = 480V, 0-10V Dimming | Blank = No Options<br>/PIR = 120-277V, Passive Infrared Occupancy Sensor<br>/LC = Lightcloud® Control<br>/LCS = 120-277V, Lightcloud® Motion Sensor | Blank = No Options<br>/E2 = 120-277V, Battery <sup>1</sup> | Blank = No Options<br>/SP10 = 10kV Surge Protection<br>/8C = 8' Cord only <sup>2</sup><br>/8CP = 8' Cord, Straight Blade Plug 120V, NEMA 5-15P <sup>3</sup><br>/8CP2 = 8' Cord, Straight Blade Plug 277V, NEMA 7-15P <sup>3</sup><br>/8CPT = 8' Cord, Twistlock Plug 120V, NEMA L5-15P <sup>3</sup><br>/8CPT2 = 8' Cord, Twistlock Plug 277V, NEMA L7-15P <sup>3</sup><br>/8CPT4 = 8' Cord, Twistlock Plug 480V, NEMA L8-20P <sup>3</sup> |

<sup>1</sup> For battery backup models with cord and plug dimming is not possible  
<sup>2</sup> For cord only (8C) models, a 5 conductor cable will be used to make dimming possible  
<sup>3</sup> For cord and plug (8CP, 8CP2, 8CPT, 8CPT2, 8CPT4) models 0-10V dimming is not possible