

Economical linear high bay delivers versatility and ultra-high efficiency. Available in 8 wattages and three sizes, for mounting heights ranging from 15 to 60 feet. Patent pending, retractable design reduces volume by up to 60% to save valuable shelf and storage space.

Color: White

Weight: 17.2 lbs

<b>Project:</b>	<b>Type:</b>
<b>Prepared By:</b>	<b>Date:</b>

Driver Info		LED Info	
Type	Constant Current	Watts	215W
120V	N/A	Color Temp	4000K (Neutral)
208V	N/A	Color Accuracy	84 CRI
240V	N/A	L70 Lifespan	100,000 Hours
277V	N/A	Lumens	30,011 lm
Input Watts	202.9W	Efficacy	147.9

## Technical Specifications

### Compliance

#### UL Listed:

Suitable for damp locations

#### DLC Listed:

This product is listed by Design Lights Consortium (DLC) as an ultra-efficient premium product that qualifies for the highest tier of rebates from DLC Member Utilities. Designed to meet DLC 5.1 requirements.

DLC Product Code: PU9XETSB

### Performance

#### Lifespan:

100,000-Hour LED lifespan based on IES LM-80 results and TM-21 calculations

### LED Characteristics

#### LEDs:

Multi-chip, high-output, long-life LEDs

#### Color Uniformity:

RAB's range of Correlated Color Temperature follows the guidelines of the American National Standard for Specifications for the Chromaticity of Solid State Lighting (SSL) Products, ANSI C78.377-2017.

### Construction

#### Operating Temperature:

-20°C (-4°F) to 50°C (122°F)

#### Housing:

22 gauge die formed with white powder coat finish. Y Hooks included for easy chain or cable mounting.

#### Reflector:

White painted, reflective, die formed painted steel

#### Lens:

Polycarbonate lens

#### Mounting:

V hooks and optional pendant mounting. AEROBAY® comes with two 42" chains.

#### Cord & Plug:

8 ft cord and NEMA L8-20P twistlock plug for 480V only.

#### Finish:

Our environmentally friendly polyester powder coatings are formulated for high-durability and long-lasting color

#### Green Technology:

Mercury and UV free. RoHS-compliant components.

### Electrical

#### Driver:

Class 2, Constant Current, 50/60 Hz, 480V: 0.43A

#### THD:

8.03% at 480V

#### Power Factor:

98.3% at 480V

#### Surge Protection:

6kV

### Other

#### Replacement:

Replaces 8-lamp T5HO or 400W MH

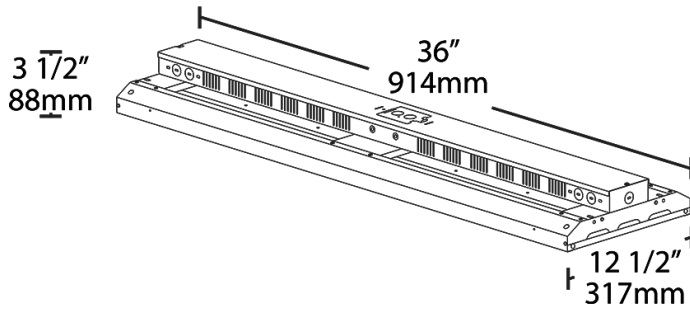
#### 5 Yr Limited Warranty:

The RAB 5-year, limited warranty covers light output, driver performance and paint finish. RAB's warranty is subject to all terms and conditions found at [rablighting.com/warranty](http://rablighting.com/warranty).

#### Buy American Act Compliance:

RAB values USA manufacturing! Upon request, RAB may be able to manufacture this product to be compliant with the Buy American Act (BAA). Please contact customer service to request a quote for the product to be made BAA compliant.

## Dimensions



## Features

- High efficiency. Low price.
- Ideal for industrial warehouse spaces
- 100,000 hour LED lifespan
- 5-Year, limited warranty

## Ordering Matrix

Family	Length	Wattage	Color Temp	Voltage	Control Options	Emergency Options	Other Options
ARBAY	3	215	N	/480			/8CPT4
	3 = 3 ft	215 = 215W 275 = 275W	Blank = 5000K Cool N = 4000K Neutral	Blank = 120-277V, 0-10V Dimming /480 = 480V, 0-10V Dimming	Blank = No Options /PIR = 120-277V, Passive Infrared Occupancy Sensor /LC = Lightcloud® Control /LCS = 120-277V, Lightcloud® Motion Sensor	Blank = No Options /E2 = 120-277V, Battery <sup>1</sup>	Blank = No Options /SP10 = 10kV Surge Protection /8C = 8' Cord only <sup>2</sup> /8CP = 8' Cord, Straight Blade Plug 120V, NEMA 5-15P <sup>3</sup> /8CP2 = 8' Cord, Straight Blade Plug 277V, NEMA 7-15P <sup>3</sup> /8CPT = 8' Cord, Twistlock Plug 120V, NEMA L5-15P <sup>3</sup> /8CPT2 = 8' Cord, Twistlock Plug 277V, NEMA L7-15P <sup>3</sup> /8CPT4 = 8' Cord, Twistlock Plug 480V, NEMA L8-20P <sup>3</sup>

<sup>1</sup> For battery backup models with cord and plug dimming is not possible

<sup>2</sup> For cord only (8C) models, a 5 conductor cable will be used to make dimming possible

<sup>3</sup> For cord and plug (8CP, 8CP2, 8CPT, 8CPT2, 8CPT4) models 0-10V dimming is not possible