



<b>Project:</b>	<b>Type:</b>
<b>Prepared By:</b>	<b>Date:</b>

Driver Info		LED Info	
Type	Constant Current	Watts	215W
120V	1.79A	Color Temp	5000K (Cool)
208V	1.04A	Color Accuracy	83 CRI
240V	0.90A	L70 Lifespan	100,000 Hours
277V	0.79A	Lumens	30,851 lm
Input Watts	215.2W	Efficacy	143.4

## Technical Specifications

### Compliance

#### UL Listed:

Suitable for damp locations

#### DLC Listed:

This product is listed by Design Lights Consortium (DLC) as an ultra-efficient premium product that qualifies for the highest tier of rebates from DLC Member Utilities. Designed to meet DLC 5.1 requirements.

DLC Product Code: PNRU65Z4

### Construction

#### Operating Temperature:

-20°C (-4°F) to 50°C (122°F)

#### Housing:

22 gauge die formed with white powder coat finish. Y Hooks included for easy chain or cable mounting.

#### Reflector:

White painted, reflective, die formed painted steel

#### Lens:

Polycarbonate lens

#### Mounting:

V hooks and optional pendant mounting. AEROBAY® comes with two 42" chains.

### Cord & Plug:

8 ft cord and no plug for 120-277V and 480V

### Finish:

Our environmentally friendly polyester powder coatings are formulated for high-durability and long-lasting color

### Green Technology:

Mercury and UV free. RoHS-compliant components.

### Performance

#### Lifespan:

100,000-Hour LED lifespan based on IES LM-80 results and TM-21 calculations

### LED Characteristics

#### LEDs:

Multi-chip, high-output, long-life LEDs

### Color Uniformity:

RAB's range of Correlated Color Temperature follows the guidelines of the American National Standard for Specifications for the Chromaticity of Solid State Lighting (SSL) Products, ANSI C78.377-2017.

### Lightcloud

#### Lightcloud Sensor Installed:

Occupancy, vacancy, and closed loop daylight harvesting in one versatile sensor. In addition control any fixture in your Lightcloud integrated/embedded networked lighting luminaire-level control system. LLLC - capable of switching, 0-10V dimming, power/energy monitoring. Can also be used to extend the range of the Lightcloud mesh network communication protocols.

DLC system - N1XMLOEATBA

[Learn more about Lightcloud.](#)

### Electrical

#### Driver:

Class 2, Constant Current, 120-277V, 50/60 Hz, 120V: 1.79A, 208V: 1.04A, 240V: 0.90A, 277V: 0.79A

#### THD:

4.98% at 120V, 8.04% at 277V

#### Power Factor:

99.9% at 120V, 95.7% at 277V

#### Surge Protection:

2.5kV

For areas prone to surges, upgrade to 10kV surge protection available

## Technical Specifications (continued)

### Other

#### Replacement:

Replaces 8-lamp T5HO or 400W MH

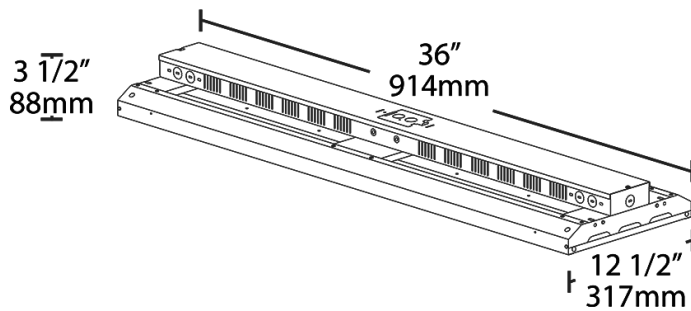
#### 5 Yr Limited Warranty:

The RAB 5-year, limited warranty covers light output, driver performance and paint finish. RAB's warranty is subject to all terms and conditions found at [rablighting.com/warranty](http://rablighting.com/warranty).

#### Buy American Act Compliance:

RAB values USA manufacturing! Upon request, RAB may be able to manufacture this product to be compliant with the Buy American Act (BAA). Please contact customer service to request a quote for the product to be made BAA compliant.

## Dimensions



## Features

- High efficiency. Low price.
- Ideal for industrial warehouse spaces
- 100,000 hour LED lifespan
- 5-Year, limited warranty

## Ordering Matrix

Family	Length		Wattage	Color Temp	Voltage	Control Options	Emergency Options	Other Options
ARBAY	3	-	215			/LCS		/8C
	3 = 3 ft		215 = 215W 275 = 275W	Blank = 5000K Cool N = 4000K Neutral	Blank = 120-277V, 0-10V Dimming /480 = 480V, 0-10V Dimming	Blank = No Options /PIR = 120-277V, Passive Infrared Occupancy Sensor /LC = Lightcloud® Control /LCS = 120-277V, Lightcloud® Motion Sensor	Blank = No Options /E2 = 120-277V, Battery <sup>1</sup>	Blank = No Options /SP10 = 10kV Surge Protection /8C = 8' Cord only <sup>2</sup> /8CP = 8' Cord, Straight Blade Plug 120V, NEMA 5-15P <sup>3</sup> /8CP2 = 8' Cord, Straight Blade Plug 277V, NEMA 7-15P <sup>3</sup> /8CPT = 8' Cord, Twistlock Plug 120V, NEMA L5-15P <sup>3</sup> /8CPT2 = 8' Cord, Twistlock Plug 277V, NEMA L7-15P <sup>3</sup> /8CPT4 = 8' Cord, Twistlock Plug 480V, NEMA L8-20P <sup>3</sup>

<sup>1</sup> For battery backup models with cord and plug dimming is not possible

<sup>2</sup> For cord only (8C) models, a 5 conductor cable will be used to make dimming possible

<sup>3</sup> For cord and plug (8CP, 8CP2, 8CPT, 8CPT2, 8CPT4) models 0-10V dimming is not possible