

# INSTRUCTIONS

## AEROBAY® INSTALLATION

# RAB®

RAB Lighting is committed to creating high-quality, affordable, well-designed and energy-efficient LED lighting and controls that make it easy for electricians to install and end users to save energy. We'd love to hear your comments. Please call the Marketing Department at 888-RAB-1000 or email: marketing@rablighting.com

### IMPORTANT

#### READ CAREFULLY BEFORE INSTALLING FIXTURE. RETAIN THESE INSTRUCTIONS FOR FUTURE REFERENCE.

RAB fixtures must be wired in accordance with the National Electrical Code and all applicable local codes. Proper grounding is required for safety. THIS PRODUCT MUST BE INSTALLED IN ACCORDANCE WITH THE APPLICABLE INSTALLATION CODE BY A PERSON FAMILIAR WITH THE CONSTRUCTION AND OPERATION OF THE PRODUCT AND THE HAZARDS INVOLVED.

#### WARNING:

- Make certain power is OFF before installing or maintaining fixture. No user serviceable parts inside.

### PREPARING FOR INSTALLATION

1. Using two hands, pull **Center Housing Channel** straight up as shown in **Fig 1**.
2. **Center Housing Channel** will lock into position as shown in **Fig. 2**.
3. Verify that the **Center Housing Channel** is locked in place.

**IMPORTANT:** Once the fixture has been fully expanded into the operating position, do not collapse the **Center Housing Channel** without first depressing the **Release Clips**.

### FOR SENSOR ARM MOUNTING

Follow Steps below to install sensor before mounting/wiring fixture.

*(Applicable for units ordered with Passive InfraRed Occupancy Sensor or LCS, Lightcloud Motion Sensor.)*

1. Remove applicable **knockouts** to install **Sensor** as shown in **Fig. 3**.
2. Run **Sensor** wire through the **Knockout** at end of the fixture and connect internally.
3. Place **Sensor Arm** onto the fixture and secure with **Screw** (provided) as shown in **Fig.4**.
4. **Arm** will lock into place, secure with **Screw** (provided).

### CORD AND PLUG OPTIONS

For units ordered with the following suffixes see voltage information below.

- (/8C) 8ft Cord (only), 120-277V, 480V
- (/8CP) 8ft Cord & Straight Plug, 120V (only), NEMA 5-15P
- (/8CPT) 8ft Cord & Twist Lock Plug, 120V (only) NEMA L5-15P
- (/8CP2) 8ft Cord & Straight Plug, 277V (only), NEMA 7-15P
- (/8CPT2) 8ft Cord & Twist Lock Plug, 277V (only) NEMA L7-15P
- (/8CPT4) 8 ft Cord & Twist Lock Plug, 480V (only) NEMA L8-20P

FIG. 1

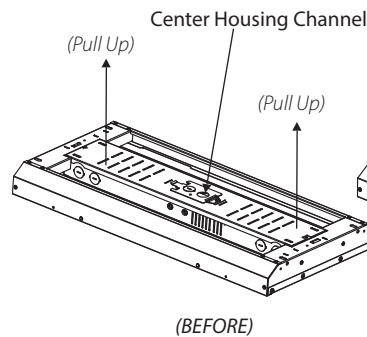


FIG. 2

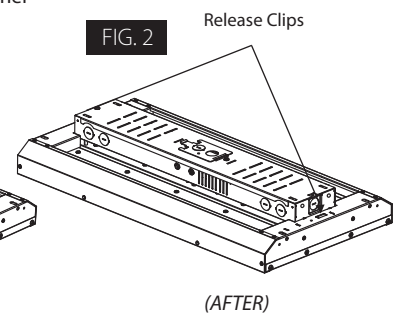


FIG. 3

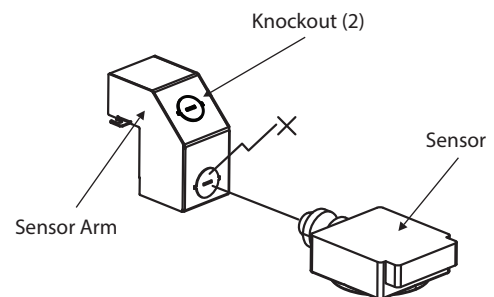
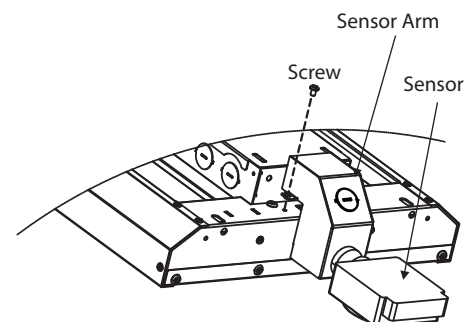


FIG. 4



# INSTRUCTIONS

## AEROBAY® INSTALLATION

# RAB®

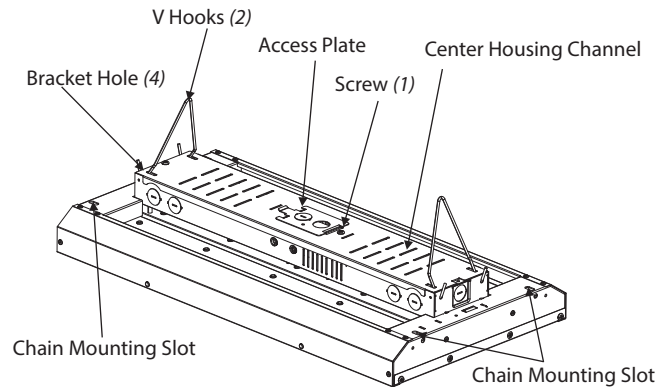
RAB Lighting is committed to creating high-quality, affordable, well-designed and energy-efficient LED lighting and controls that make it easy for electricians to install and end users to save energy. We'd love to hear your comments. Please call the Marketing Department at 888-RAB-1000 or email: [marketing@rablighting.com](mailto:marketing@rablighting.com)

### FOR V-HOOK MOUNTING OR CHAIN MOUNTING

Mount **Housing** to sturdy ceiling structure as follows:

1. **V-Hooks (2)** and Chain are provided for mounting. Secure **V-Hooks** through **Bracket Hole** at back of **Center Housing Channel**, or secure chains through **Chain Mounting Slots** in the ends of the housing shown in **Fig. 5**.
2. Fixture mounting height and spacing should be determined by application requirements.
3. Remove **Access Plate** and feed supply wire with strain relief connector. Make electrical connections as shown in wiring diagram (**Fig. 7**). Use approved wiring connectors and wire to local NEC codes. Push all wires back into **Center Housing Channel**. Be careful not to pinch wires.
4. Reinstall **Access Plate** and secure with supplied **Screw (1)**.

FIG. 5

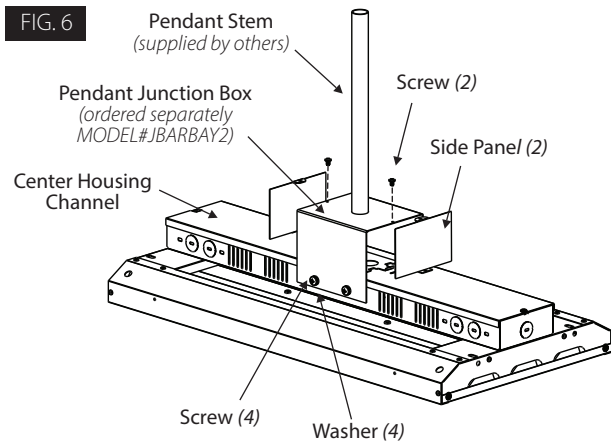


### FOR PENDANT MOUNTING

(Accessory ordered separately - Model# JBARBAY2)

1. Choose length of 1/2" NPS **Pendant Stem** (supplied by others).
2. Install **Pendant Junction Box** (ordered separately) to **Center Housing Channel** by mounting **Pendant Junction Box** on **Center Housing Channel** and securing with supplied **Screws (4)** and **Washers (4)** as shown in **Fig. 6**.
3. Feed wires through **Pendant Stem** and into **Pendant Junction Box**. Wire the housing leads to supply wires using UL listed wire connectors according to NEC and local codes in the **Pendant Junction Box**. Push all wires back into **Pendant Junction Box**, install **Side Panels (2)** with supplied **Screws (2)**. Be careful not to pinch wires.

FIG. 6



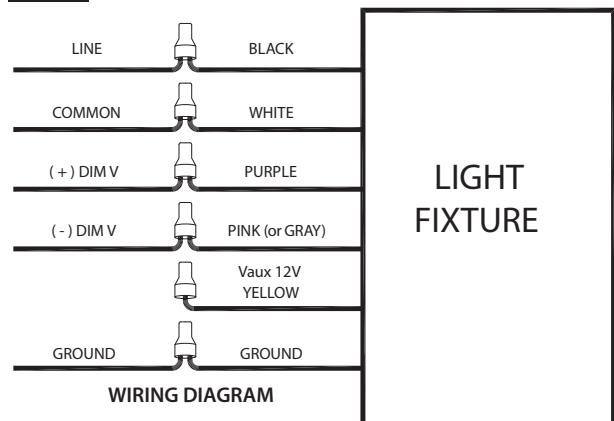
### 0-10V DIMMABLE WIRING

Universal voltage driver permits operation at 120V thru 277V, 50 or 60 Hz. Units ordered with (/480) suffix are 480V, 50Hz or 60Hz. For 0-10V Dimming, follow the wiring directions as shown in **Fig. 7**.

1. Connect the black fixture lead to the **LINE** supply lead.
2. Connect the white fixture lead to the **COMMON** supply lead.
3. Connect the **GROUND** wire from fixture to supply ground.
4. Connect the purple fixture lead to the (V+) DIM lead.
5. Connect the pink (or gray) fixture lead to the (V-) DIM lead.

**NOTE: Do not connect DIM V+ (purple)/ DIM V- (pink or gray) to line voltage or supply ground.**

FIG. 7



**Note:** These instructions do not cover all details or variations in equipment nor do they provide for every possible situation during installation, operation or maintenance.

# INSTRUCTIONS

## AEROBAY® INSTALLATION



RAB Lighting is committed to creating high-quality, affordable, well-designed and energy-efficient LED lighting and controls that make it easy for electricians to install and end users to save energy. We'd love to hear your comments. Please call the Marketing Department at 888-RAB-1000 or email: [marketing@rablighting.com](mailto:marketing@rablighting.com)

### TROUBLESHOOTING

1. Check that the line voltage at the fixture is correct.
2. Be sure the fixture is grounded properly.

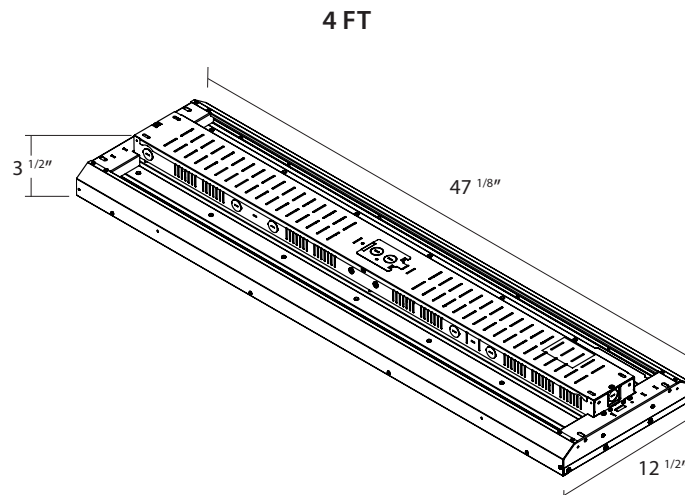
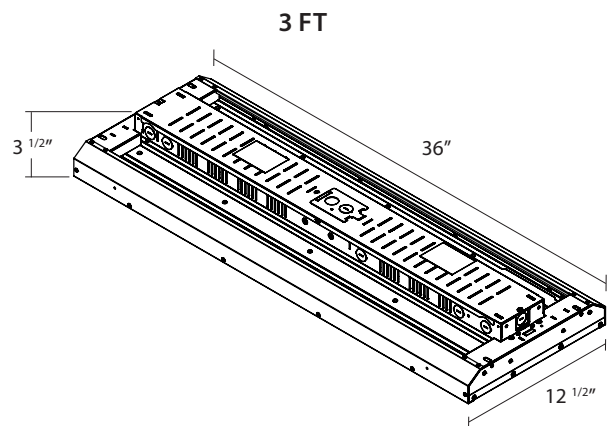
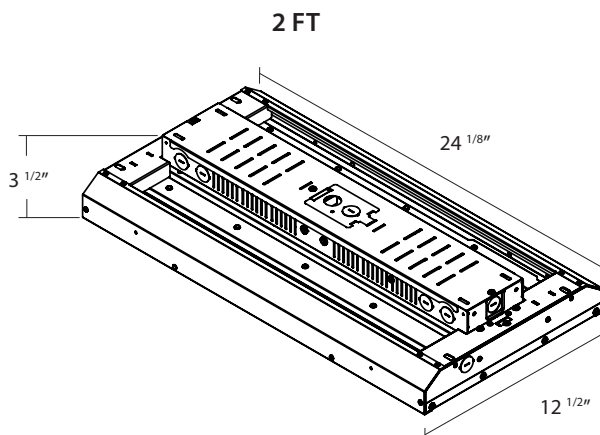
### CLEANING & MAINTENANCE

**CAUTION: Be sure fixture temperature is cool enough to touch. Do not clean or maintain while fixture is energized.**

1. Lens can be washed only after removing from fixture and only in a solution of warm water and any mild, non-abrasive household detergent, rinsed with clean water and wiped dry. Do not use chemicals to clean Lens or fixture.
2. Do not open fixture to clean the LED. Do not touch the LED.

*Note: These instructions do not cover all details or variations in equipment nor do they provide every possible situation during installation, operation or maintenance.*

### DIMENSIONAL DRAWINGS



*To reduce the risk of electric shock, disconnect both normal and emergency power supplies and converter connector of the emergency driver before servicing. Do not attempt to service the emergency driver. The use of accessory equipment may cause an unsafe condition. Do not use this product for other than intended use. Refer any servicing indicated by these checks to a Qualified Service Personnel.*

RAB Lighting is committed to creating high-quality, affordable, well-designed and energy-efficient LED lighting and controls that make it easy for electricians to install and end users to save energy. We'd love to hear your comments. Please call the Marketing Department at 888-RAB-1000 or email: [marketing@rablighting.com](mailto:marketing@rablighting.com)

## BATTERY BACKUP MODELS

### WIRING

**CAUTION: FOR BATTERY BACKUP FIXTURE.** Voltage could be present in **BATTERY**. To prevent high voltage from being present on output leads, inverter connector must be open. Do not join **BATTERY** connector until installation is complete and AC power is supplied to the emergency driver (Fig. 8).

**NOTE:** Make sure that the necessary branch circuit wiring is available. An **UNSWITCHED** AC source of power is required. The emergency driver must be fed from the same branch circuit as the LED driver.

**CAUTION:** Do not use any supply voltage other than 120-277V 50/60 HZ.

1. Connect **UNSWITCHED HOT** fixture lead to **HOT** AC supply line.
2. If using an **UNSWITCHED** circuit, connect **UNSWITCHED** and **SWITCHED** lines together.
3. If using a **SWITCHED** circuit, connect **SWITCHED HOT** AC fixture lead to the external **SWITCHED**.
4. Connect the **NEUTRAL** fixture lead to the **NEUTRAL** supply line.
5. For 0-10V Dimming, connect **DIM (+)** and **DIM (-)** to the supply **DIM (+)** and **DIM (-)**.
6. Connect **GROUND** lead from the fixture to the supply ground. Do not connect **GROUND** to the output leads.
7. All unused lead must be capped and insulated.
8. After installation is complete, supply AC power to the fixture and connect the **BATTERY**.
9. When power is on, the fixture should be on and the Charging Indicator Light should illuminate to indicate the battery is charging.
10. Once the **BATTERY** has charged for at least one hour, a short duration test may be performed by pressing the test button.
11. After the battery has charged for 24 hours, a long duration test can be performed by shutting power to the fixture.

### OPERATION

1. When AC power is applied, the charging indicator light is illuminated, indicating that the **BATTERY** is being charged.
2. When power fails, the standby power automatically switches to emergency power (*internal battery*), operating at reduced illumination. Not all LED boards will illuminate with standby power. The emergency driver supplies 25W of power in standby power for a minimum of 90 minutes.
3. When AC power is restored, the emergency driver automatically returns to charging mode.

### MAINTENANCE

Although no routine maintenance is required to keep the emergency driver functional, it should be checked periodically to ensure that it is working. The following schedule is recommended:

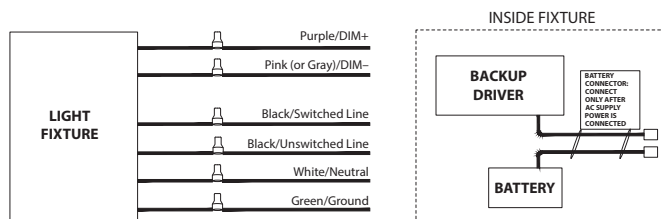
1. Visually inspect the charging indicator light monthly. It should be illuminated.
2. Test the emergency operation of the fixture at 30-day intervals for a minimum of 30 seconds.
3. Conduct a 90-minute discharge test once a year. Fixture would operate at reduced illumination for a minimum of 90 minutes.

### TROUBLESHOOTING

1. Is the fixture grounded properly?
2. If the charging indicator light does not illuminate after pressing the test button, check if battery is connected properly.

*Note: These instructions do not cover all details or variations in equipment nor do they provide for every possible situation during installation, operation or maintenance.*

FIG. 8



# Welcome



Lightcloud®  
Luminaire Sensor

WE'RE HERE TO HELP:

1 (844) LIGHTCLOUD  
or 1 (844) 544-4825

# Hello

The Lightcloud Luminaire Sensor is a dual-technology motion detector and closed loop daylight harvester that can switch and dim both local and remote circuits. The Luminaire Sensor requires a compatible lightcloud controller or fixture.

## Specifications

### PART NUMBER

Edge: LCLCSENSE/EG  
Standard: LCLCSENSE/SH  
High Bay: LCLCSENSE/HB

### INPUT

5VDC

### OPERATING TEMPERATURE

-40°C to 40°C

### DIMENSIONS

Ceiling Mount: 2.25"W x 1.74"H x 2.25"D  
Edge: 1.30"W x 0.99"H x 2.34"D  
Standard: 1.20"W x 1.05"H x 1.20"D  
High Bay: 1.75"W x 1.08"H x 1.75"D

### SENSOR COVERAGE

Edge: 20 ft. diameter at 9 ft.  
Standard: 30 ft. diameter at 9 ft.  
High Bay: 40 ft. diameter at 30 ft.  
50 ft. diameter at 45 ft.

### MOUNTING HEIGHT

Edge: 8 to 12 ft.  
Standard: 8 to 12 ft.  
High Bay: 25 to 45 ft.

### CONNECTOR

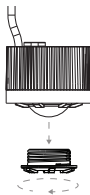
RJ9 (RJ22)

### RATING

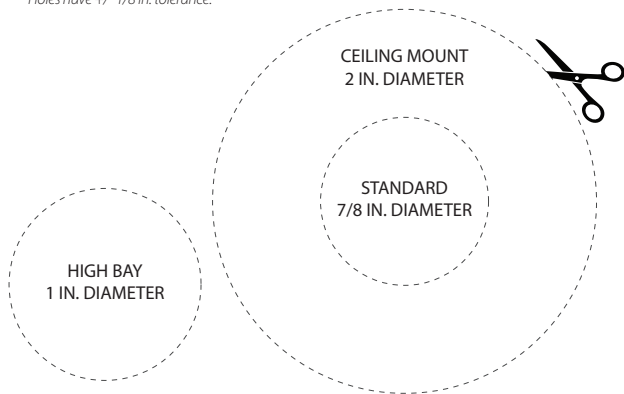
Standard and High Bay: IP66

# Setup & Installation

- 1 Remove Bezel  
Twist counter-clockwise.



- 2 Prepare Mounting Hole  
Use knockout or cut hole for sensor.  
*Holes have +/- 1/8 in. tolerance.*

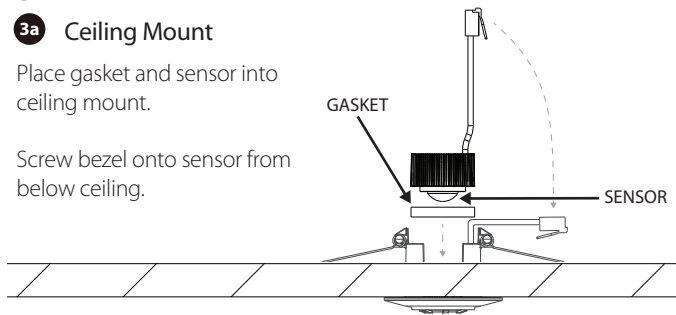


③ Installing the Sensor

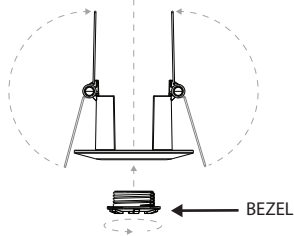
3a Ceiling Mount

Place gasket and sensor into ceiling mount.

Screw bezel onto sensor from below ceiling.



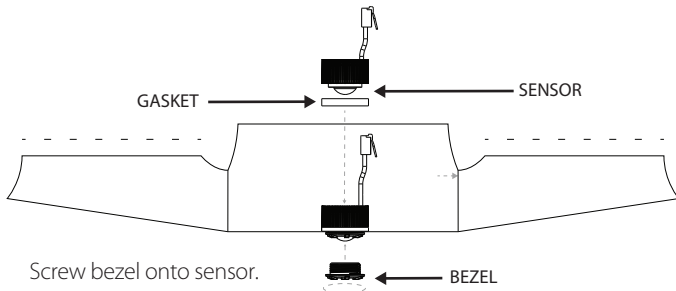
Fold up tabs on ceiling mount and push through hole cut in step 2.





### 3b In-Fixture Mounting

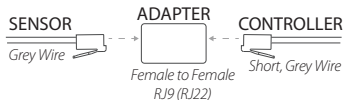
Place gasket and sensor through the hole cut in step 2.



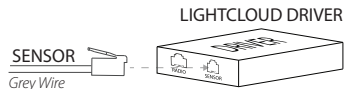
Screw bezel onto sensor.

### 3 Connect the Sensor

**Controller:** Use the adapter to connect the sensor to the Controller.



**Lightcloud Driver:** Plug the sensor into the sensor port on the driver.



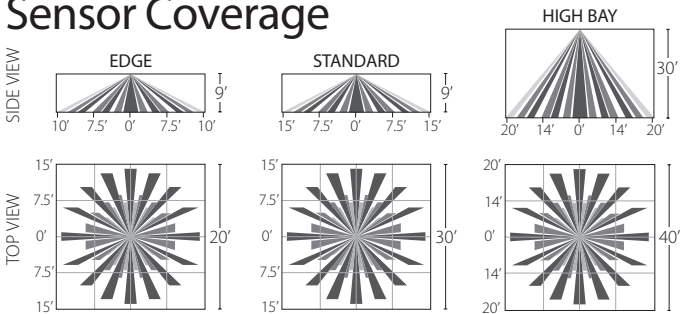
*If a longer cable is needed, an extension cable (RJ9) up to 10 ft. can be used.*

# Configuration

To configure the Luminaire Sensor, please login to the Web App at [control.lightcloud.com](http://control.lightcloud.com) or call Lightcloud Support at 1(844) Lightcloud.

For additional startup information, please visit [lightcloud.com/start](http://lightcloud.com/start).

## Sensor Coverage



# RAB®

© RAB Lighting, Inc. 2020

170 Ludlow Ave., Northvale, NJ 07647  
Custom manufactured in China

WE'RE HERE TO HELP:

1 (844) LIGHTCLOUD  
or 1 (844) 544-4825