

INSTRUCTIONS

ANGSHARK-G2 INSTALLATION



RAB Lighting is committed to creating high-quality, affordable, well-designed and energy-efficient LED lighting and controls that make it easy for electricians to install and end users to save energy. We'd love to hear your comments. Please call the Marketing Department at 888-RAB-1000 or email: marketing@rablighting.com



SHARK - 2FT



SHARK - 4FT

IMPORTANT

READ CAREFULLY BEFORE INSTALLING FIXTURE. RETAIN THESE INSTRUCTIONS FOR FUTURE REFERENCE.

RAB fixtures must be wired in accordance with the National Electrical Code and all applicable local codes. Proper grounding is required for safety. THIS PRODUCT MUST BE INSTALLED IN ACCORDANCE WITH THE APPLICABLE INSTALLATION CODE BY A PERSON FAMILIAR WITH THE CONSTRUCTION AND OPERATION OF THE PRODUCT AND THE HAZARDS INVOLVED.

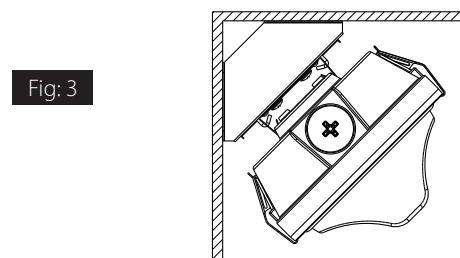
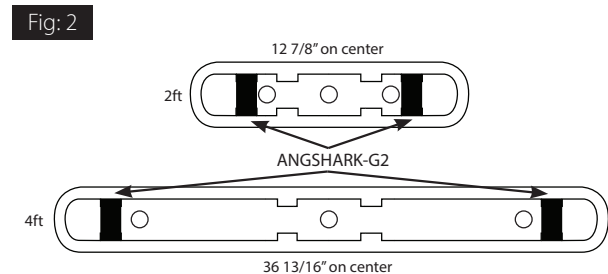
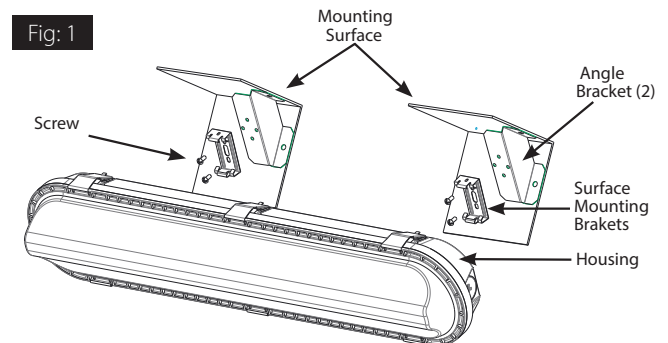
WARNING: Make certain power is OFF before installing or maintaining fixture. No user serviceable parts inside.

CAUTION: For proper weatherproof function all gaskets must be seated properly and all screws inserted and tightened firmly. Apply weatherproof silicone sealant around the edge of the housing. This is especially important with an uneven ceiling surface. Silicone all plugs and unused conduit entries, and USE SHARK WITH CONDUIT ONLY.

FOLLOW ALL SHARK® (sold separately) INSTALLATION INSTRUCTIONS.

INSTALLATION

1. Use appropriate mounting hardware (*not supplied*) to secure the **Angle Brackets (2)** to **Mounting Surface (Fig. 1)**.
2. Recommended **Angle Bracket** distance center to center is 12 7/8" for SHARK 2ft and 36 13/16" for SHARK 4ft as shown in **Fig. 2**.
3. Secure **Surface Mounting Brackets (2)** to **Angle Bracket (2)** with **Screws** provided.
4. Snap **Housing** on **Surface Mounting Brackets (2)** as shown in **Fig. 3**.



TROUBLESHOOTING

1. Check that line voltage at the fixture is correct. Be sure the fixture is grounded properly.
2. Refer to wiring, cleaning and maintenance directions on SHARK® (*sold separately*) Installation Instructions.

Note: These instructions do not cover all details or variations in equipment nor do they provide for every possible situation during installation, operation or maintenance.