



<b>Project:</b>	<b>Type:</b>
<b>Prepared By:</b>	<b>Date:</b>

Driver Info		LED Info	
Type	Constant Current	Watts	80W
120V	0.71A	Color Temp	4000K (Neutral)
208V	0.41A	Color Accuracy	76 CRI
240V	0.36A	L70 Lifespan	100,000 Hours
277V	0.31A	Lumens	9,725 lm
Input Watts	82.3W	Efficacy	118.2

**Technical Specifications**

**Compliance**

**UL Listed:**

Suitable for wet locations. Suitable for mounting within 4 feet of the ground.

**IESNA LM-79 & lm-80 Testing:**

RAB LED luminaires and LED components have been tested by an independent laboratory in accordance with IESNA lm-79 and lm-80

**DLC Listed:**

This product is listed by Design Lights Consortium (DLC) as an ultra-efficient premium product that qualifies for the highest tier of rebates from DLC Member Utilities. Designed to meet DLC 5.1 requirements.

DLC Product Code: P6YSXCN2

**Electrical**

**Driver:**

Constant Current, Class 2, 120-277V, 50-60Hz, 120V: 0.71A, 208V: 0.41A, 240V: 0.36A, 277V: 0.31A

**Dimming Driver:**

Driver includes dimming control wiring for 0-10V dimming systems. Requires separate 0-10V DC dimming circuit. Dims down to 10%.

**THD:**

6.04% at 120V, 10.38% at 277V

**Power Factor:**

99.5% at 120V, 93.4% at 277V

**Surge Protection:**

6kV

**Performance**

**Lifespan:**

100,000-Hour LED lifespan based on IES LM-80 results and TM-21 calculations

**Wattage Equivalency:**

Equivalent to 320W Pulse Start Metal Halide

**Construction**

**IES Classification:**

The Type III distribution is ideal for roadway, general parking and other area lighting applications where a larger pool of lighting is required. It is intended to be located near the side of the area, allowing the light to project outward and fill the area.

**Ambient Temperature:**

Suitable for use in up to 40°C (104°F)

**Cold Weather Starting:**

The minimum starting temperature is -40°C (-40°F)

**Thermal Management:**

Cast aluminum Thermal Management system for optimal heat sinking. The ALED is designed for cool operation, most efficient output and maximum LED life by minimizing LED junction temperature.

**Housing:**

Precision die-cast aluminum housing, lens frame

**Arm:**

Die-cast aluminum with wiring access plate

**Reflector:**

Specular vacuum-metallized polycarbonate

**Gaskets:**

High-temperature silicone

**EPA:**

- 1 Fixture: 1.5
- 2 Fixtures at 90°: 2.4
- 2 Fixtures at 180°: 2.9
- 3 Fixtures at 90°: 3.2
- 4 Fixtures at 90°: 3.2

**Finish:**

Formulated for high durability and long-lasting color

**Green Technology:**

Mercury and UV free. RoHS-compliant components.

## Technical Specifications (continued)

### LED Characteristics

---

**LEDs:**

Two (2) multi-chip, high-output, long-life LEDs

**Color Consistency:**

3-step MacAdam Ellipse binning to achieve consistent fixture-to-fixture color

**Color Stability:**

LED color temperature is warranted to shift no more than 200K in color temperature over a 5-year period

**Color Uniformity:**

RAB's range of Correlated Color Temperature follows the guidelines of the American National Standard for Specifications for the Chromaticity of Solid State Lighting (SSL) Products, ANSI C78.377-2017.

### Other

---

**Warranty:**

RAB warrants that our LED products will be free from defects in materials and workmanship for a period of five (5) years from the date of delivery to the end user, including coverage of light output, color stability, driver performance and fixture finish. RAB's warranty is subject to all terms and conditions found at [rablighting.com/warranty](http://rablighting.com/warranty).

**Patents:**

The WPLED design is protected by patents pending in the U.S., Canada, China, Taiwan and Mexico.

**Buy American Act Compliance:**

RAB values USA manufacturing! Upon request, RAB may be able to manufacture this product to be compliant with the Buy American Act (BAA). Please contact customer service to request a quote for the product to be made BAA compliant.

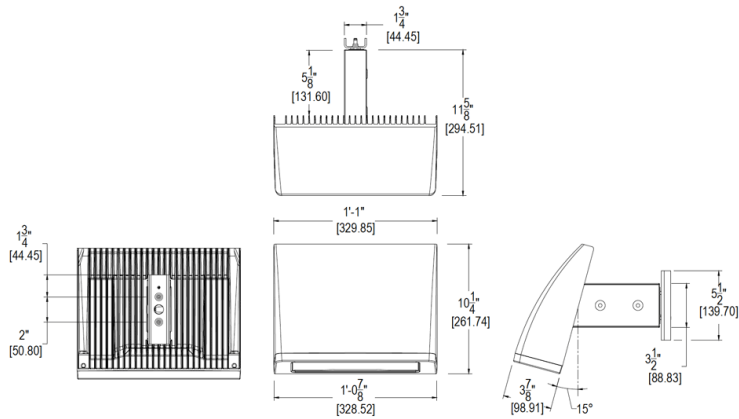
### Optical

---

**BUG Rating:**

B1 U0 G2

Dimensions



Features

- 75% energy savings
- Superior heat sinking with die cast aluminum housing and external fins
- 100,000-hour LED lifespan
- 5-Year, No-Compromise Warranty

Ordering Matrix

Family	Cutoff	Wattage	Color Temp	Finish	Driver Options	Options
ALED	C	80	N	W		
	Blank = Standard (15°) C = Cutoff (7.5°) FC = Full Cutoff (0°)	52 = 52W 80 = 80W	Blank = 5000K Cool N = 4000K Neutral Y = 3000K Warm	Blank = Bronze W = White	Blank = 120-277V /480 = 480V /BL = Bi-Level /D10 = 0-10V Dimming	Blank = No Option /PCS = 120V Swivel Photocell /PCS2 = 277V Swivel Photocell /PCS4 = 480V Swivel Photocell /PCT = 120-277V Twistlock Photocell /PCT4 = 480V Twistlock Photocell /LC = Lightcloud® Controller