



High output LED pole top area light with IES type V circular distribution. Wide and uniform 360 degree pattern ideal for large outdoor areas such as parking lots, corporate parks, and retail settings.

Color: Black

Weight: 21.8 lbs

Project:

Type:

Prepared By:

Date:

Driver Info

Type	Constant Current
120V	N/A
208V	N/A
240V	N/A
277V	N/A
Input Watts	78.2W

LED Info

Watts	78W
Color Temp	4000K (Neutral)
Color Accuracy	70 CRI
L70 Lifespan	100,000 Hours
Lumens	10,251 lm
Efficacy	131.1 lm/W

Technical Specifications

Compliance

UL Listed:

Suitable for wet locations

IP Rating:

Ingress protection rating of IP66 for dust and water

IESNA LM-79 & lm-80 Testing:

RAB LED luminaires and LED components have been tested by an independent laboratory in accordance with IESNA lm-79 and lm-80

DLC Listed:

This product is on the Design Lights Consortium (DLC) Qualified Products List and is eligible for rebates from DLC Member Utilities. Designed to meet DLC 5.1 requirements.
DLC Product Code: PTFG3H1K

LED Characteristics

LEDs:

6x13W high-output, long-life LEDs

Color Consistency:

3-step MacAdam Ellipse binning to achieve consistent fixture-to-fixture color

Color Stability:

LED color temperature is warranted to shift no more than 200K in color temperature over a 5-year period

Color Uniformity:

RAB's range of Correlated Color Temperature follows the guidelines of the American National Standard for Specifications for the Chromaticity of Solid State Lighting (SSL) Products, ANSI C78.377-2017.

Performance

Lifespan:

100,000-Hour LED lifespan based on IES LM-80 results and TM-21 calculations

Wattage Equivalency:

Equivalent to 250W Metal Halide

Construction

Cold Weather Starting:

The minimum starting temperature is -40°C (-40°F)

Maximum Ambient Temperature:

Suitable for use in up to 40°C (104°F)

Effective Projected Area:

EPA = 1.2

Thermal Management:

Superior thermal management with external air-flow fins

Housing:

Precision die-cast aluminum, Type V distribution

Support Arms:

Extruded aluminum

Lens:

Clear tempered glass lens

Reflector:

Specular vacuum-metallized polycarbonate, Type V distribution

Gaskets:

High-temperature silicone

Finish:

Formulated for high durability and long-lasting color

Green Technology:

Mercury and UV free. RoHS-compliant components.

Optical

BUG Rating:

B3 U0 G2

Technical Specifications (continued)

Other

Patents:

The designs of the ALED5T78 are protected by patents pending in US, Canada, China, Taiwan and Mexico

Warranty:

RAB warrants that our LED products will be free from defects in materials and workmanship for a period of five (5) years from the date of delivery to the end user, including coverage of light output, color stability, driver performance and fixture finish. RAB's warranty is subject to all terms and conditions found at rablighting.com/warranty.

Buy American Act Compliance:

RAB values USA manufacturing! Upon request, RAB may be able to manufacture this product to be compliant with the Buy American Act (BAA). Please contact customer service to request a quote for the product to be made BAA compliant.

Electrical

Drivers:

Constant Current, Class 2 with 6kV surge protection, 480VAC, 50/60 Hz, 480V: 0.17A

THD:

4.31% at 480V

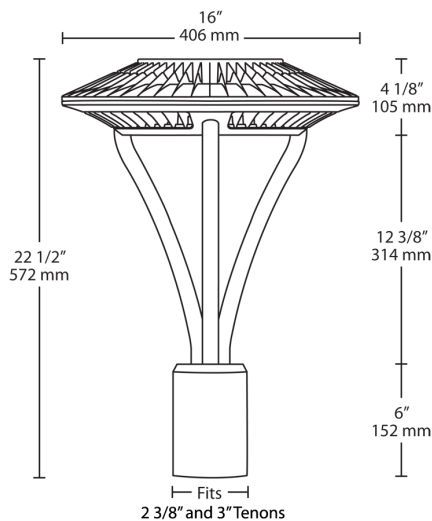
Power Factor:

94.8% at 480V

Photocell:

120-277V Twistlock photocell included. Photocell is compatible with 120V - 277V.

Dimensions



Features

- IES type V (circular) distribution
- 100,000-hour LED lifespan
- Compatible with standard 2 3/8" and 3" tenons
- "Air-Flow" fins for maximum heat dissipation
- 5-Year, No-Compromise Warranty

Ordering Matrix

Family	Distribution	Wattage	Color Temp	Finish	Driver Option	Options	Other Options
ALED	5T	78	N	K	/480	/PCT4	
	5T = Type V	26 = 26W 52 = 52W 78 = 78W	Blank = 5000K Cool N = 4000K Neutral Y = 3000K Warm	Blank = Bronze W = White K = Black RG = Gray	Blank = 120-277V /D10 = Dimmable /BL = Bi-Level /480 = 480V /480/D10 = 480V w/ Dimmable	Blank = No Option /LC = Lightcloud® Controller /PCT = 120-277V Twistlock Photocell /PCT4 = 480V Twistlock Photocell	Blank = Standard USA = BAA Compliant