



<b>Project:</b>	<b>Type:</b>
<b>Prepared By:</b>	<b>Date:</b>

Driver Info		LED Info	
Type	Constant Current	Watts	78W
120V	0.56A	Color Temp	5000K (Cool)
208V	0.34A	Color Accuracy	73 CRI
240V	0.33A	L70 Lifespan	100,000 Hours
277V	0.26A	Lumens	9,578 lm
Input Watts	65.4W	Efficacy	146.5 lm/W

### Technical Specifications

<p><b>Compliance</b></p> <hr/> <p><b>UL Listed:</b> Suitable for wet locations</p> <p><b>IESNA LM-79 &amp; lm-80 Testing:</b> RAB LED luminaires and LED components have been tested by an independent laboratory in accordance with IESNA lm-79 and lm-80</p> <p><b>California Title 24:</b> Can be used to conform with the requirements of California Title 24 Part 6.</p> <p><b>DLC Listed:</b> This product is listed by Design Lights Consortium (DLC) as an ultra-efficient premium product that qualifies for the highest tier of rebates from DLC Member Utilities. Designed to meet DLC 5.1 requirements. DLC Product Code: PU7BQF7A</p> <p><b>LED Characteristics</b></p> <hr/> <p><b>LEDs:</b> Long-life, high-efficacy, surface-mount LEDs</p> <p><b>Color Consistency:</b> 7-step MacAdam Ellipse binning to achieve consistent fixture-to-fixture color</p>	<p><b>Color Stability:</b> LED color temperature is warranted to shift no more than 200K in color temperature over a 5-year period</p> <p><b>Color Uniformity:</b> RAB's range of Correlated Color Temperature follows the guidelines of the American National Standard for Specifications for the Chromaticity of Solid State Lighting (SSL) Products, ANSI C78.377-2017.</p> <p><b>Performance</b></p> <hr/> <p><b>Lifespan:</b> 100,000-Hour LED lifespan based on IES LM-80 results and TM-21 calculations</p> <p><b>Wattage Equivalency:</b> Equivalent to 250W Metal Halide</p> <p><b>Optical</b></p> <hr/> <p><b>BUG Rating:</b> B3 U1 G2</p> <p><b>Optics:</b> Square, Type V distribution</p> <p><b>Construction</b></p> <hr/> <p><b>Cold Weather Starting:</b> The minimum starting temperature is -40°C (-40°F)</p>	<p><b>Maximum Ambient Temperature:</b> Suitable for use in up to 40°C (104°F)</p> <p><b>Thermal Management:</b> Superior thermal management with external air-flow fins</p> <p><b>Effective Projected Area:</b> EPA = 0.7</p> <p><b>Lens:</b> Clear polycarbonate lens</p> <p><b>Reflector:</b> Vacuum-metalized polycarbonate</p> <p><b>Gaskets:</b> High-temperature silicone</p> <p><b>Mounting:</b> Tenon for 2 3/8" or 3" OD post or pole-top adaptor</p> <p><b>Finish:</b> Formulated for high durability and long-lasting color</p> <p><b>Green Technology:</b> Mercury and UV free. RoHS-compliant components.</p>
--	--	--

## Technical Specifications (continued)

### Electrical

#### Driver:

Constant Current, Class 2 with 4kV surge protection, 120-277VAC, 50/60 Hz, 120V: 0.56A, 208V: 0.34A, 240V: 0.33A, 277V: 0.26A

#### THD:

5.78% at 120V, 9.27% at 277V

#### Power Factor:

99.5% at 120V, 91.6% at 277V

#### ALED5S78 with Dimmable Drive:

Driver includes dimming control for 0-10V dimming systems. Requires separate 0-10V DC dimming circuit. Dims down to 10%.

### Other

#### Patents:

The designs of the ALED5S are protected by patents pending in US, Canada, China, Taiwan and Mexico

#### Warranty:

RAB warrants that our LED products will be free from defects in materials and workmanship for a period of five (5) years from the date of delivery to the end user, including coverage of light output, color stability, driver performance and fixture finish. RAB's warranty is subject to all terms and conditions found at [rablighting.com/warranty](http://rablighting.com/warranty).

#### Buy American Act Compliance:

RAB values USA manufacturing! Upon request, RAB may be able to manufacture this product to be compliant with the Buy American Act (BAA). Please contact customer service to request a quote for the product to be made BAA compliant.

### Sensor Specifications

#### Multi Level Motion Sensor:

/WS2 sensor options use state-of-the-art surface mount technology (SMT), just like cellular phones and beepers. SMT gives you more reliability, greater RF immunity. This compact sensor that can fit neatly where others cannot. This sensor technology automatically affects the state of operation for lighting systems or individual luminaires based upon detecting the presence or absence of movement for both people as they exit/enter, or for the motion of moving vehicles within the sensors viewing area. The wide 180° viewing angle can detect movement along the entire side of a building with only one compact sensor. The hard lens is molded as part of the case, vandalproof, rainproof, bugproof and absolutely sealed. Sensor functions best when movement is across its detection pattern, not towards the sensor.

#### Operating Voltage:

120-277V

#### Power Consumption:

1W

#### 0-10V Sinking Current:

50mA

#### Adjustable High and Low Modes:

High: 0-10V; Low: off, 0-9.8V

#### Adjustable Time Delay:

Amount of time in high mode with no motion before switching to low mode: 5 min., 1 -30 min.

#### Adjustable Cut Off Delay:

Time in which the fixture will remain on low mode with no motion before turning off and waiting for new motion to turn on: None, 1 -60 min., 1 -5 hrs.

#### Adjustable Sensitivity:

None, low, medium, maximum

#### Adjustable Setpoint:

None, 1 to 250 fc, auto

#### Operating Temperature:

-40°F to 167°F (-40°C to +75°C)

#### Operating Humidity:

20% to 90% noncondensing

#### Relay Life Rating:

200,000 cycles (120/277VAC), 50,000 cycles (230VAC)

#### IP Rating:

Ingress protection rating of IP66 for dust and water

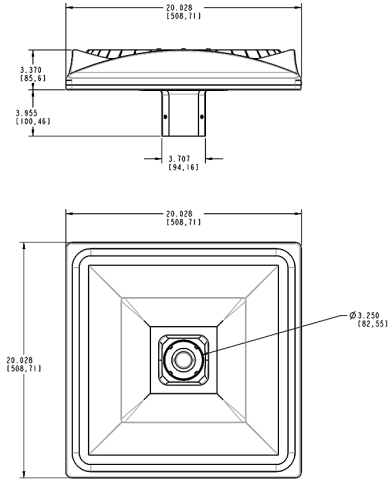
#### UL Listed:

Suitable for Wet Locations as factory installed

#### Handheld Wireless Configuration Tool:

Adjust settings using handheld wireless configuration tool (catalog# WSREM). Only available with 0-10V dimming driver options. [Handheld wireless configuration tool available here.](#)

## Dimensions



## Features

- Precision optics deliver uniform, optimal light distribution
- Perfect for parking lots and pathways
- 100,000-Hour LED lifespan

## Ordering Matrix

Family	Wattage	Color Temp	Finish	Driver Options	Sensor Options	Other Options
ALED5S	78		W	/D10	/7PR/WS2	
	78 = 78W 150 = 150W	Blank = 5000K Cool N = 4000K Neutral Y = 3000K Warm	Blank = Bronze W = White	/D10 = 120-277V, 0-10V Dimming /480/D10 = 480V, 0-10V Dimming /BL = Bi-Level	Blank = No Option /PCT = 120-277V Twistlock Photocell /PCT4 = 480V Twistlock Photocell /WS2 = Motion Sensor/Photocell /LC = Lightcloud® Controller /5PR = 5 Pin Receptacle /7PR = 7-Pin Receptacle /7PR/WS2 = 7-Pin Receptacle w/ Motion Sensor	Blank = Standard USA = BAA Compliant