



## Technical Specifications (continued)

### Electrical

#### Driver:

Constant Current, Class 2 with 4kV surge protection, 120-277VAC, 50/60 Hz, 120V: 1.76A, 208V: 0.73A, 240V: 0.63A, 277V: 0.54A

#### Dimming Driver:

Driver includes dimming control wiring for 0-10V dimming systems. Requires separate 0-10V DC dimming circuit. Dims down to 10%.

#### THD:

5.78% at 120V, 9.72% at 277V

#### Power Factor:

99.5% at 120V, 92.2% at 277V

### Other

#### Patents:

The designs of the ALED5S are protected by patents pending in US, Canada, China, Taiwan and Mexico

#### Warranty:

RAB warrants that our LED products will be free from defects in materials and workmanship for a period of five (5) years from the date of delivery to the end user, including coverage of light output, color stability, driver performance and fixture finish. RAB's warranty is subject to all terms and conditions found at [rablighting.com/warranty](http://rablighting.com/warranty).

#### Buy American Act Compliance:

RAB values USA manufacturing! Upon request, RAB may be able to manufacture this product to be compliant with the Buy American Act (BAA). Please contact customer service to request a quote for the product to be made BAA compliant.

### Sensor Specifications

#### Multi Level Motion Sensor:

/WS2 sensor options use state-of-the-art surface mount technology (SMT), just like cellular phones and beepers. SMT gives you more reliability, greater RF immunity. This compact sensor that can fit neatly where others cannot. This sensor technology automatically affects the state of operation for lighting systems or individual luminaries based upon detecting the presence or absence of movement for both people as they exit/enter, or for the motion of moving vehicles within the sensors viewing area. The wide 180° viewing angle can detect movement along the entire side of a building with only one compact sensor. The hard lens is molded as part of the case, vandalproof, rainproof, bugproof and absolutely sealed. Sensor functions best when movement is across its detection pattern, not towards the sensor.

#### Operating Voltage:

120-277V

#### Power Consumption:

1W

#### 0-10V Sinking Current:

50mA

#### Adjustable High and Low Modes:

High: 0-10V; Low: off, 0-9.8V

#### Adjustable Time Delay:

Amount of time in high mode with no motion before switching to low mode: 5 min., 1 -30 min.

#### Adjustable Cut Off Delay:

Time in which the fixture will remain on low mode with no motion before turning off and waiting for new motion to turn on: None, 1 -60 min., 1 -5 hrs.

#### Adjustable Sensitivity:

None, low, medium, maximum

#### Adjustable Setpoint:

None, 1 to 250 fc, auto

#### Operating Temperature:

-40°F to 167°F (-40°C to +75°C)

#### Operating Humidity:

20% to 90% noncondensing

#### Relay Life Rating:

200,000 cycles (120/277VAC), 50,000 cycles (230VAC)

#### IP Rating:

Ingress protection rating of IP66 for dust and water

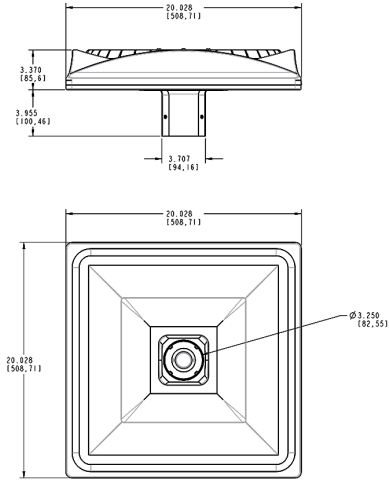
#### UL Listed:

Suitable for Wet Locations as factory installed

#### Handheld Wireless Configuration Tool:

Adjust settings using handheld wireless configuration tool (catalog# WSREM). Only available with 0-10V dimming driver options. [Handheld wireless configuration tool available here.](#)

## Dimensions



## Features

- Precision optics deliver uniform, optimal light distribution
- Perfect for parking lots and pathways
- 100,000-Hour LED lifespan

## Ordering Matrix

Family	Wattage	Color Temp	Finish	Driver Options	Sensor Options	Other Options
ALED5S	150		W	/D10	/WS2	
	78 = 78W 150 = 150W	Blank = 5000K Cool N = 4000K Neutral Y = 3000K Warm	Blank = Bronze W = White	/D10 = 120-277V, 0-10V Dimming /480/D10 = 480V, 0-10V Dimming /BL = Bi-Level	Blank = No Option /PCT = 120-277V Twistlock Photocell /PCT4 = 480V Twistlock Photocell /WS2 = Motion Sensor/Photocell /LC = Lightcloud® Controller /5PR = 5 Pin Receptacle /7PR = 7-Pin Receptacle /7PR/WS2 = 7-Pin Receptacle w/ Motion Sensor	Blank = Standard USA = BAA Compliant