



Color: Bronze

Weight: 37.3 lbs

Project:

Type:

Prepared By:

Date:

Driver Info

Type	Constant Current
120V	1.12A
208V	0.70A
240V	0.61A
277V	0.52A
Input Watts	134.8W

LED Info

Watts	125W
Color Temp	5000K (Cool)
Color Accuracy	70 CRI
L70 Lifespan	100,000 Hours
Lumens	16,328 lm
Efficacy	121.1 lm/W

Technical Specifications

Compliance

UL Listed:

Suitable for wet locations

DLC Listed:

This product is on the Design Lights Consortium (DLC) Qualified Products List and is eligible for rebates from DLC Member Utilities. DLC Product Code: P0000177P

IP Rating:

Ingress protection rating of IP66 for dust and water

IESNA LM-79 & LM-80 Testing:

RAB LED luminaires and LED components have been tested by an independent laboratory in accordance with IESNA LM-79 and LM-80.

Performance

Lifespan:

100,000-Hour LED lifespan based on IES LM-80 results and TM-21 calculations

Wattage Equivalency:

Equivalent to 350W Metal Halide

Construction

IES Classification:

The Type IV distribution (also known as a Forward Throw) is especially suited for mounting on the sides of buildings and walls, and for illuminating the perimeter of parking areas. It produces a semicircular distribution with essentially the same candlepower at lateral angles from 90° to 270°.

Maximum Ambient Temperature:

Suitable for use in up to 40°C (104°F)

Cold Weather Starting:

The minimum starting temperature is -40°C (-40°F)

Thermal Management:

Superior thermal management with external "Air-Flow" fins

Lens:

Tempered glass lens

Housing:

Die-cast aluminum housing, lens frame and mounting arm

Mounting:

Universal mounting arm compatible for hole spacing patterns from 1" to 5 1/2" center to center. Round Pole Adaptor plate included as a standard. Easy slide and lock to mount fixture with ease. Round pole diameter must be >4" to mount fixtures at 90° orientation.

Reflector:

Specular vacuum-metallized polycarbonate

Gaskets:

High-temperature silicone gaskets

EPA:

1 Fixture:	0.75
2 Fixtures at 90°:	1.2
2 Fixtures at 180°:	2.4
3 Fixtures at 90°:	2.4
4 Fixtures at 90°:	1.8

Finish:

Formulated for high durability and long-lasting color

Green Technology:

Mercury and UV free. RoHS-compliant components.

LED Characteristics

LEDs:

Multi-chip, high-output, long-life LEDs

Technical Specifications (continued)

Color Stability:

LED color temperature is warranted to shift no more than 200K in color temperature over a 5-year period

Color Uniformity:

RAB's range of Correlated Color Temperature follows the guidelines of the American National Standard for Specifications for the Chromaticity of Solid State Lighting (SSL) Products, ANSI C78.377-2017.

Electrical

Driver:

One Driver, Constant Current, Class 2, 1800mA
100-277V, 50-60Hz, Power Factor 99%

THD:

5.3% at 120V, 15.4% at 277V

Power Factor:

99.4% at 120V, 92.1% at 277V

Surge Protection:

4kV

Optical

BUG Rating:

B1 U0 G2

Other

BAA Compliance:

Click [here](#) for BAA compliance.

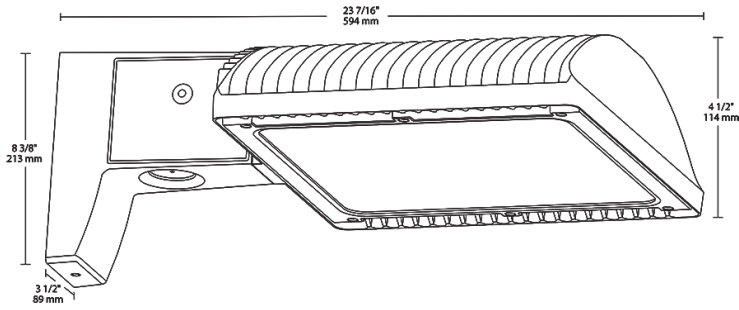
Warranty:

RAB warrants that our LED products will be free from defects in materials and workmanship for a period of five (5) years from the date of delivery to the end user, including coverage of light output, color stability, driver performance and fixture finish. RAB's warranty is subject to all terms and conditions found at rablighting.com/warranty.

Buy American Act Compliance:

RAB values USA manufacturing! Upon request, RAB may be able to manufacture this product to be compliant with the Buy American Act (BAA). Please contact customer service to request a quote for the product to be made BAA compliant.

Dimensions



Features

- 66% energy cost savings vs. HID
- 100,000-hour LED lifespan
- 5-Year, No-Compromise Warranty

Ordering Matrix

Family	Optics	Wattage	Mounting	Color Temp	Finish	Driver Options	Options	Other Options
ALED	4T	125						
	3T = Type III 2T = Type II 4T = Type IV	50 = 50W 78 = 78W 105 = 105W 125 = 125W 150 = 150W	Blank = Pole mount SF = Slipfitter	Blank = 5000K Cool N = 4000K Neutral Y = 3000K Warm	K = Black W = White Blank = Bronze RG = Roadway Gray	Blank = 120-277V /480 = 480V /BL = Bi-Level /D10 = 0-10V Dimming /480/D10 = 480V, 0-10V Dimming	/PCS = 120V Swivel Photocell /WS4 = Multi-Level Motion Sensor 40 ft /WS2 = Multi-Level Motion Sensor 20 ft /PCT4 = 480V Twistlock Photocell /PCS4 = 480V Swivel Photocell /PCT = 120-277V Twistlock Photocell /PCS2 = 277V Swivel Photocell /LC = Lightcloud Controller Blank = No Option	Blank = Standard USA = BAA Compliant