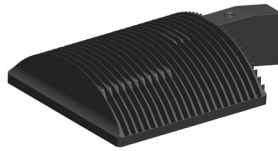


INSTRUCTIONS

ALED® 260W 360W INSTALLATION

RAB®

RAB Lighting is committed to creating high-quality, affordable, well-designed and energy-efficient LED lighting and controls that make it easy for electricians to install and end users to save energy. We'd love to hear your comments. Please call the Marketing Department at 888-RAB-1000 or email: marketing@rablighting.com



ALED 260W / 360W

IMPORTANT

READ CAREFULLY BEFORE INSTALLING FIXTURE. RETAIN THESE INSTRUCTIONS FOR FUTURE REFERENCE.

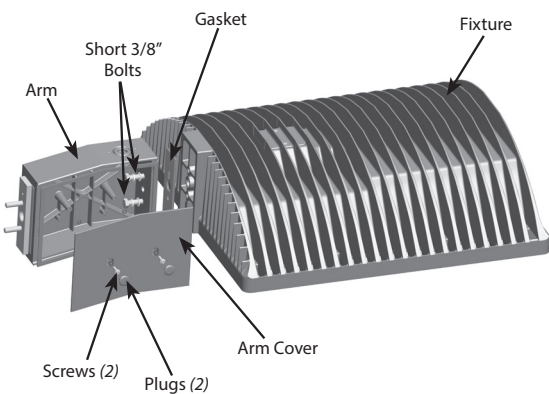
RAB fixtures must be wired in accordance with the National Electrical Code and all applicable local codes. Proper grounding is required for safety. THIS PRODUCT MUST BE INSTALLED IN ACCORDANCE WITH THE APPLICABLE INSTALLATION CODE BY A PERSON FAMILIAR WITH THE CONSTRUCTION AND OPERATION OF THE PRODUCT AND THE HAZARDS INVOLVED.

WARNING: Make certain power is OFF before installing or maintaining fixture. No user serviceable parts inside.

CAUTION: The fixture weighs 80lbs. Make sure pole and hardware supplied by others (if any) can withstand the weight of the fixture.

MOUNTING ARM ON FIXTURE

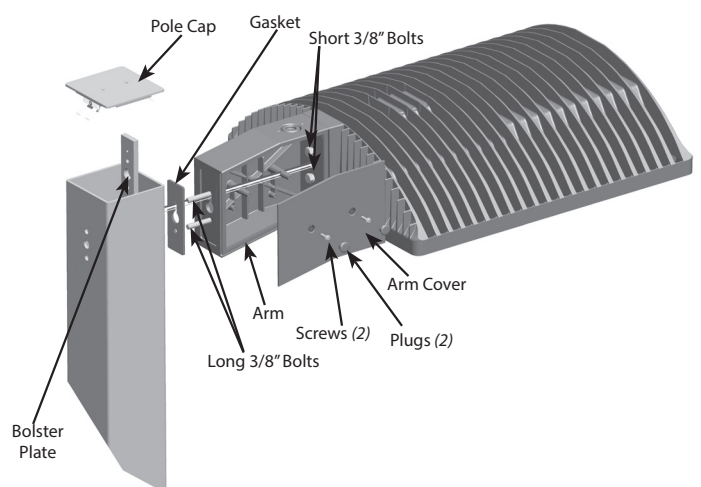
1. Remove the **Arm Cover** from the **Arm**.
2. Feed wires from **Fixture** through **Gasket** into **Arm**.
3. Line up **Arm** and **Fixture**. Place flat washers, lock washers and nuts on the **Short 3/8-16 Bolts** inside the **Arm** and tighten securely to housing.
4. Make sure the **Gasket** is secure between **Arm** and **Fixture**.



MOUNTING FIXTURE DIRECTLY TO POLE

Check that pole is drilled according to **Pole Drawing Detail**.

1. Remove the **Arm Cover** from the **Arm**.
2. Feed wires from **Fixture** through **Gasket** into **Arm**. Feed supply wires from **Pole** through **Gasket** into **Arm**.
3. Insert **Long 3/8-16 Bolts** through **Arm**, **Gasket**, **Pole** and thread into the **Bolster Plate**. Be sure the **Gasket** is between the **Arm** and **Pole** and secure with bolts, washers and lockwashers.
4. Make necessary connections inside the **Arm** and knot wires for strain relief.
5. Replace the **Arm Cover**. Be sure the **Gasket** on **Arm Cover** is in place. Tighten **Screws (2)** and add the **Plugs**. Secure **Pole Cap**.



INSTRUCTIONS

ALED® 260W 360W INSTALLATION

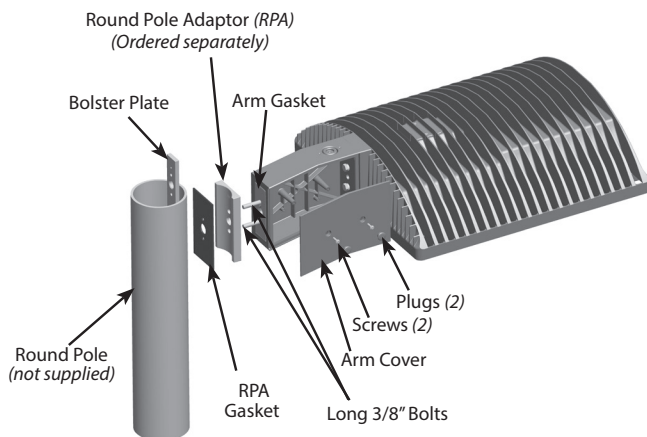


RAB Lighting is committed to creating high-quality, affordable, well-designed and energy-efficient LED lighting and controls that make it easy for electricians to install and end users to save energy. We'd love to hear your comments. Please call the Marketing Department at 888-RAB-1000 or email: marketing@rablighting.com

ROUND POLE ADAPTOR ACCESSORY

For use with standard RAB pole drilling.

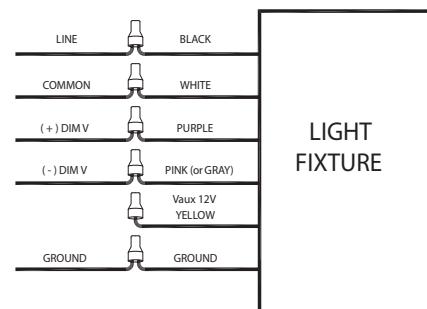
1. Drill round pole using the dimensions shown in the **Pole Drilling Detail**.
2. Place **Round Pole Adaptor/ RPA** (*ordered separately*) and **RPA Gasket** between the **Fixture** and drilled **Pole** as shown.
3. Line up top holes of the **Gaskets** and **Round Pole Adaptor** with top hole in the **Pole Drilling Pattern**.
4. Place **Long 3/8" Bolts** from the **ALED** through the top hole of the **RPA** and **Gaskets** to the **Round Pole** thread into **Bolster Plate**.
5. Feed wires from **Fixture** through **Gasket** into **Arm**. Feed supply wires from **Pole** through **Gasket** into **Arm**. Make necessary connections inside the **Arm** and knot wires for strain relief.
6. Replace the **Arm Cover**, tighten **Screws** and add the **Plugs**. Secure **Pole Cap**.



0-10V DIMMABLE WIRING

Universal voltage driver permits operation at 120V thru 277V, 50 or 60 Hz. For 0-10V Dimming follow the wiring directions shown below.

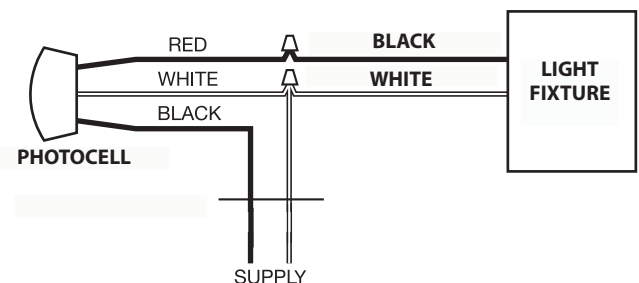
1. Connect the black fixture lead to the (+) **LINE** supply lead.
2. Connect the white fixture lead to the (-) **COMMON** supply lead.
3. Connect the **GROUND** wire from fixture to supply ground. Do NOT connect the **GROUND** of the dimming fixture to the output.
4. Connect the purple fixture lead to the (V+) **DIM** lead.
5. Connect the pink (*or gray*) fixture lead to the (V-) **DIM** lead.
6. Cap the yellow fixture lead, if present. Do NOT connect.



PHOTOCELL INSTALLATION

Photocell may be installed in the field. Apply weatherproof silicone sealant to all plugs and unused conduit entries.

1. Knockout hole on top of arm.
2. Install photocell and wire as per diagram.
3. Use photocell rated for your supply voltage.



INSTRUCTIONS

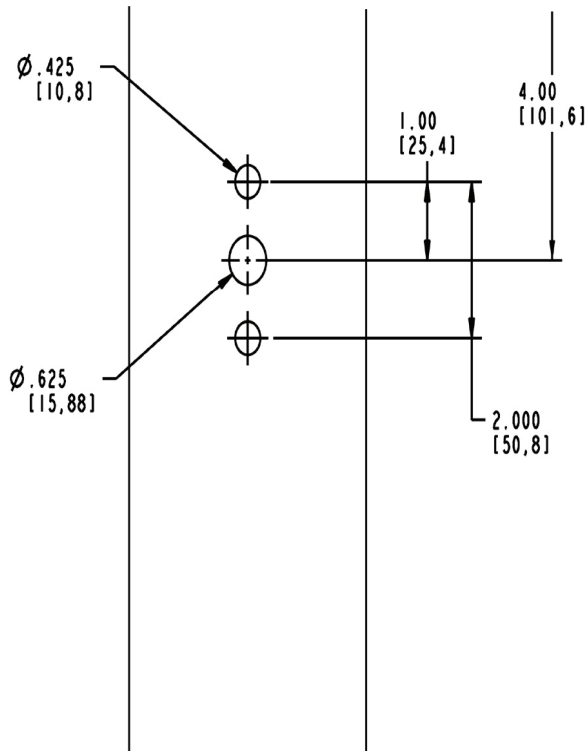
ALED® 260W 360W INSTALLATION



RAB Lighting is committed to creating high-quality, affordable, well-designed and energy-efficient LED lighting and controls that make it easy for electricians to install and end users to save energy. We'd love to hear your comments. Please call the Marketing Department at 888-RAB-1000 or email: marketing@rablighting.com

POLE DRILLING DETAIL

For non-RAB poles use these dimensions to drill the pole. This template is not to scale. Please use measurements shown below.



CLEANING & MAINTENANCE

CAUTION: Be sure fixture temperature is cool enough to touch. Do not clean or maintain while fixture is energized.

1. Clean glass lens with non-abrasive glass cleaning solution.
2. Do not open the fixture to clean the LED. Do not touch the LED.

TROUBLESHOOTING

1. Check that the line voltage at the fixture is correct. Refer to wiring directions.
2. Is the fixture grounded properly?
3. Is the photocell, if used, functioning properly?

Note: These instructions do not cover all details or variations in equipment nor do they provide for every possible situation during installation, operation or maintenance.



© 2022 RAB LIGHTING Inc.

Easy Answers

rablighting.com
Visit our website for product info

Tech Help Line
Call our experts: 888 722-1000

e-mail
Answered promptly - sales@rablighting.com

Free Lighting Layouts
Answered online or by request