



Color: Bronze

Weight: 32.0 lbs

Project:

Type:

Prepared By:

Date:

Driver Info

Type	Constant Current
120V	1.31A
208V	N/A
240V	N/A
277V	N/A
Input Watts	155.2W

LED Info

Watts	150W
Color Temp	5000K (Cool)
Color Accuracy	71 CRI
L70 Lifespan	100,000 Hours
Lumens	16,839 lm
Efficacy	108.5 lm/W

Technical Specifications

Electrical

Driver:

One Driver, Constant Current, Class 2, 2100mA
100-277V, 50-60Hz, Power Factor 99%

THD:

4.9% at 120V, 13.8% at 277V

Power Factor:

99.5% at 120V, 93.7% at 277V

Photocell:

120V Swivel photocell included. Photocell is only compatible with 120V.

Surge Protection:

4kV

Compliance

DLC Listed:

This product is on the Design Lights Consortium (DLC) Qualified Products List and is eligible for rebates from DLC Member Utilities. DLC Product Code: P0000175C

UL Listed:

Suitable for wet locations

IP Rating:

Ingress protection rating of IP66 for dust and water

Performance

Lifespan:

100,000-Hour LED lifespan based on IES LM-80 results and TM-21 calculations

Wattage Equivalency:

Equivalent to 400W Metal Halide

LED Characteristics

LEDs:

Multi-chip, high-output, long-life LEDs

Color Consistency:

7-step MacAdam Ellipse binning to achieve consistent fixture-to-fixture color

Color Stability:

LED color temperature is warrantied to shift no more than 200K in color temperature over a 5-year period

Color Uniformity:

RAB's range of Correlated Color Temperature follows the guidelines of the American National Standard for Specifications for the Chromaticity of Solid State Lighting (SSL) Products, ANSI C78.377-2017.

Construction

Maximum Ambient Temperature:

Suitable for use in up to 40°C (104°F)

Cold Weather Starting:

The minimum starting temperature is -40°C (-40°F)

Thermal Management:

Superior thermal management with external "Air-Flow" fins

Lens:

Tempered glass lens

Housing:

Die-cast aluminum housing, lens frame and mounting arm

Mounting:

Universal mounting arm compatible for hole spacing patterns from 1" to 5 1/2" center to center. Round Pole Adaptor plate included as a standard. Easy slide and lock to mount fixture with ease. Round pole diameter must be >4" to mount fixtures at 90° orientation.

Reflector:

Specular vacuum-metallized polycarbonate

Gaskets:

High-temperature silicone gaskets

Technical Specifications (continued)

EPA:

- 1 Fixture: 0.75
- 2 Fixtures at 90°: 1.2
- 2 Fixtures at 180°: 2.4
- 3 Fixtures at 90°: 2.4
- 4 Fixtures at 90°: 1.8

Finish:

Formulated for high durability and long-lasting color

Green Technology:

Mercury and UV free. RoHS-compliant components.

Optical

BUG Rating:

B1 U0 G2

Other

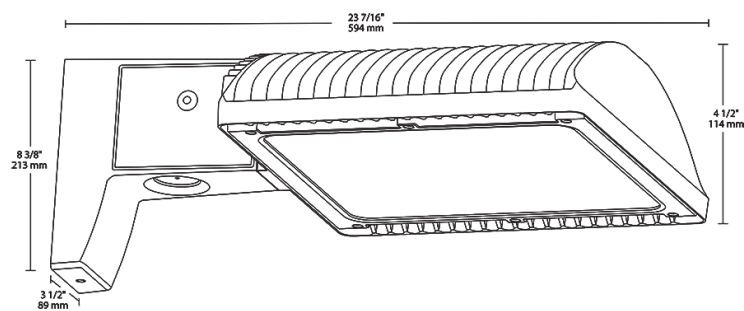
Warranty:

RAB warrants that our LED products will be free from defects in materials and workmanship for a period of five (5) years from the date of delivery to the end user, including coverage of light output, color stability, driver performance and fixture finish. RAB's warranty is subject to all terms and conditions found at rablighting.com/warranty.

Buy American Act Compliance:

RAB values USA manufacturing! Upon request, RAB may be able to manufacture this product to be compliant with the Buy American Act (BAA). Please contact customer service to request a quote for the product to be made BAA compliant.

Dimensions



Features

- 66% energy cost savings vs. HID
- 100,000-hour LED lifespan
- 5-Year, No-Compromise Warranty

Ordering Matrix

Family	Optics	Wattage	Mounting	Color Temp	Finish	Driver Options	Options	Other Options
ALED	3T	150					/PCS	
	4T = Type IV 3T = Type III 2T = Type II	50 = 50W 78 = 78W 105 = 105W 125 = 125W 150 = 150W	Blank = Pole mount SF = Slipfitter	Blank = 5000K Cool N = 4000K Neutral Y = 3000K Warm	Blank = Bronze RG = Roadway Gray W = White K = Black	Blank = 120-277V /480 = 480V /BL = Bi-Level Dimming /480/D10 = 480V, 0-10V Dimming	Blank = No Option /LC = Lightcloud® Controller /PCS = 120V Swivel Photocell /PCS2 = 277V Swivel Photocell /PCT = 120-277V Twistlock Photocell /PCS4 = 480V Swivel Photocell /PCT4 = 480V Twistlock Photocell /WS2 = Multi-Level Motion Sensor 20 ft /WS4 = Multi-Level Motion Sensor 40 ft	Blank = Standard USA = BAA Compliant