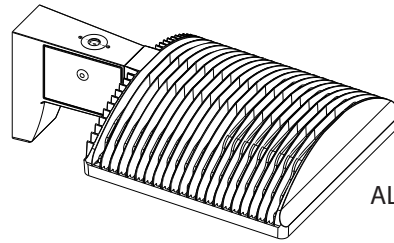


# INSTRUCTIONS

## ALED® 50W-150W UNIVERSAL ARM INSTALLATION



RAB Lighting is committed to creating high-quality, affordable, well-designed and energy-efficient LED lighting and controls that make it easy for electricians to install and end users to save energy. We'd love to hear your comments. Please call the Marketing Department at 888-RAB-1000 or email: marketing@rablighting.com



ALED with Universal Arm

### IMPORTANT

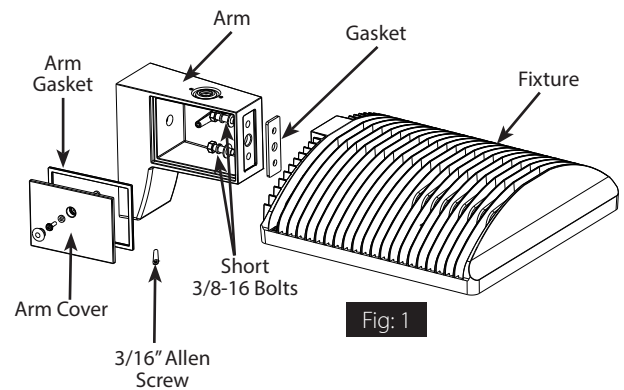
#### READ CAREFULLY BEFORE INSTALLING FIXTURE. RETAIN THESE INSTRUCTIONS FOR FUTURE REFERENCE.

RAB fixtures must be wired in accordance with the National Electrical Code and all applicable local codes. Proper grounding is required for safety. THIS PRODUCT MUST BE INSTALLED IN ACCORDANCE WITH THE APPLICABLE INSTALLATION CODE BY A PERSON FAMILIAR WITH THE CONSTRUCTION AND OPERATION OF THE PRODUCT AND THE HAZARDS INVOLVED.

**WARNING: Make certain power is OFF before installing or maintaining fixture. No user serviceable parts inside.**

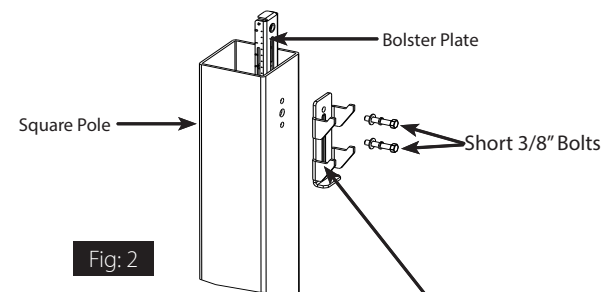
### MOUNTING THE UNIVERSAL ARM ON FIXTURE

1. Remove the **Arm Cover** from the **Arm** as shown in Fig. 1.
2. Feed wires from **Fixture** through **Gasket** into **Arm**.
3. Line up **Arm** and **Fixture**. Place flat washers, lock washers and nuts on the **Short 3/8-16 Bolts** inside the **Arm** and tighten securely to **Fixture**.
4. Make sure the **Gasket** is secure between **Arm** and **Fixture**.



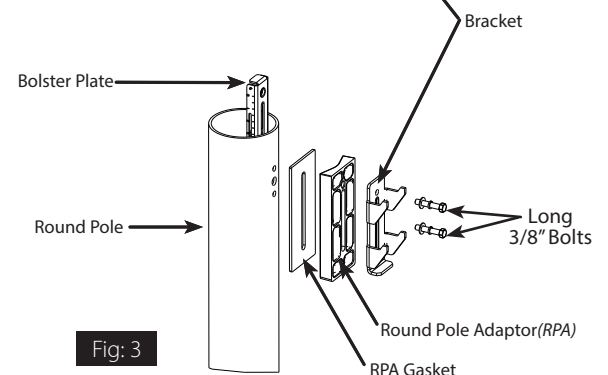
### SQUARE POLE BRACKET MOUNT

1. Remove **Round Pole** adaptor and **RPA Gasket** as shown in Fig. 2.
2. Place the **Bolster Plate** inside the **Pole**.
3. Place the **Bracket** to match the holes on the **Pole**.
4. Feed supply wires from the **Pole** through the **Bracket** to be connected to the **Arm**.
5. Place **Flat Washers**, **Lock Washers** and **Nuts** on the **Short 3/8-16 Bolts** tighten to the **Pole**.



### ROUND POLE BRACKET MOUNT

1. Place **Round Pole Adaptor (RPA)** and **RPA Gasket** between the **Fixture** and drilled **Pole** as shown in Fig. 3.
2. Line up the holes of the **Gaskets** and **Round Pole Adaptor** with top hole in the pole drilling pattern.
3. Feed supply wires from the **Pole** through the **Bracket** to be connected to the **Arm**.
4. Place **Long 3/8" Bolts** (provided) through the top hole of the **RPA** and **Gaskets** to the **Round Pole** thread into **Bolster Plate**.



# INSTRUCTIONS

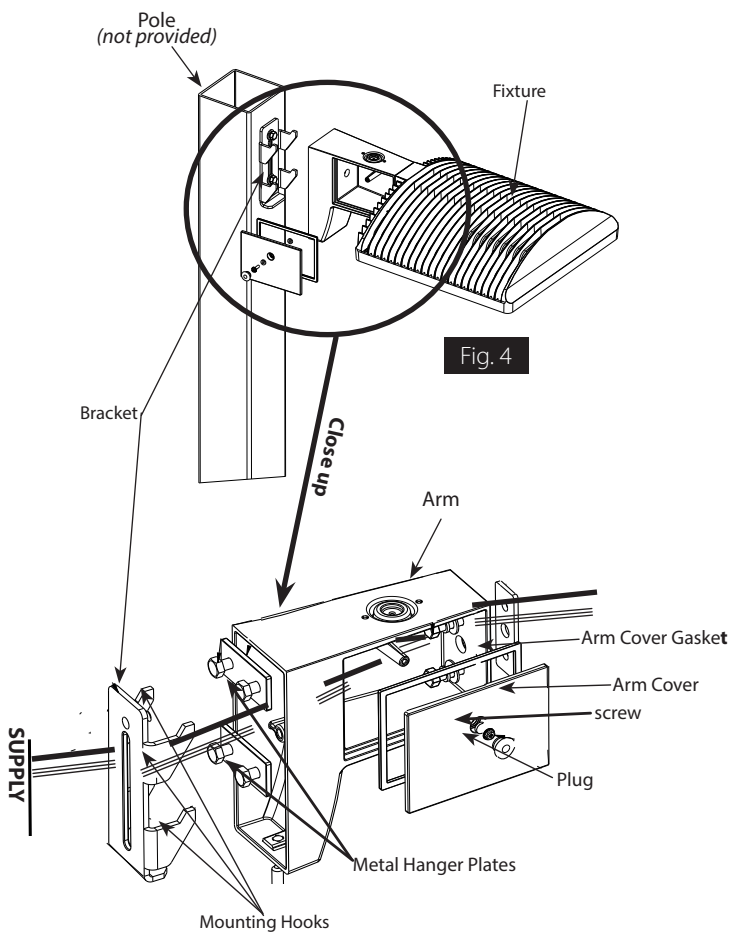
## ALÉD® 50W-150W UNIVERSAL ARM INSTALLATION

# RAB®

RAB Lighting is committed to creating high-quality, affordable, well-designed and energy-efficient LED lighting and controls that make it easy for electricians to install and end users to save energy. We'd love to hear your comments. Please call the Marketing Department at 888-RAB-1000 or email: [marketing@rablighting.com](mailto:marketing@rablighting.com)

### MOUNTING FIXTURE TO THE POLE

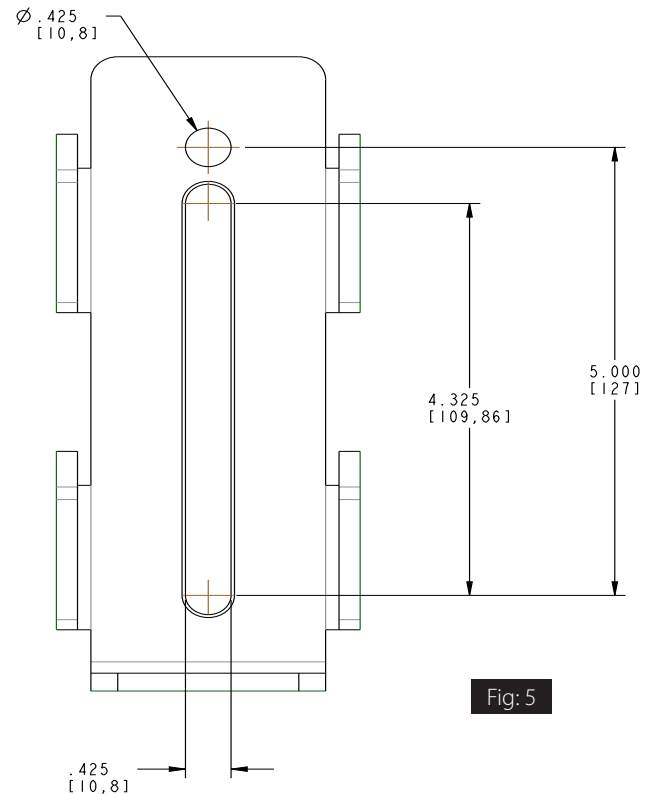
1. Remove the **Arm Cover** from the **Arm** (Fig. 4).
2. Feed supply wires which are already pulled out from the **Pole** through the **Bracket** into the **Arm**.
3. Make necessary connections inside the **Arm** and knot wires for strain relief.
4. Slide the **Metal Hanger Plates** at the back of the **Arm** to the **Mounting Hooks** of the **Bracket** on the **Pole** to secure the **Fixture** to the **Pole**.
5. Replace the **Arm Cover**. Be sure the **Gasket** on **Arm Cover** is in place. Tighten **Screws** and add the **Plug**. Secure **Pole Cap**. Tighten **Set Screw** at the bottom of the **Arm**.



### POLE DRILLING DETAIL

Dimensions of the holes on **RPA** and **Bracket**.

This template is not to scale. Please use measurements shown in Fig. 5.



### ACCESSORIES

- LALED150-Door Lens replacement  
Available in Bronze, (W)White, (RG)Gray
- GOLED150W-Wire Guard  
Available in (G)Grey

**Note:** These instructions do not cover all details or variations in equipment nor do they provide for every possible situation during installation, operation or maintenance.

# INSTRUCTIONS

## ALED® 50W-150W UNIVERSAL ARM INSTALLATION



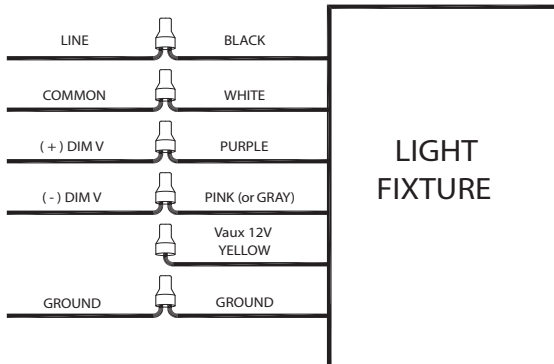
RAB Lighting is committed to creating high-quality, affordable, well-designed and energy-efficient LED lighting and controls that make it easy for electricians to install and end users to save energy. We'd love to hear your comments. Please call the Marketing Department at 888-RAB-1000 or email: [marketing@rablighting.com](mailto:marketing@rablighting.com)

### 0-10V DIMMABLE WIRING

Universal voltage driver permits operation at 120V thru 277V, 50 or 60 Hz. For 0-10V Dimming follow the wiring directions as shown in Fig. 6.

1. Connect the black fixture lead to the **LINE** supply lead.
2. Connect the white fixture lead to the **COMMON** supply lead.
3. Connect the **GROUND** wire from fixture to supply ground. Do NOT connect the **GROUND** of the dimming fixture to the output.
4. Connect the purple fixture lead to the (V+) DIM lead.
5. Connect the pink (or gray) fixture lead to the (V-) DIM lead.
6. Cap the yellow fixture lead, if present. Do NOT connect.

Fig: 6

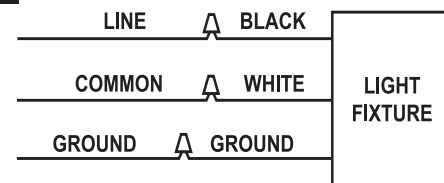


### ON/OFF WIRING

Universal voltage driver permits operation at 120V thru 277V, 50 or 60 Hz. Units ordered with (/480V) suffix are 480V, 60Hz. For Non-Dimming follow the wiring directions as shown in Fig. 7.

1. Connect the black fixture lead to the (+) **LINE** supply lead.
2. Connect the white fixture lead to the (-) **COMMON** supply lead.
3. Connect the **GROUND** wire from fixture to supply ground.

Fig: 7



### CLEANING & MAINTENANCE

**CAUTION:** Be sure fixture temperature is cool enough to touch. Do not clean or maintain while fixture is energized.

1. Clean glass lens with non-abrasive glass cleaning solution.
2. Do not open fixture to clean the LEDs. Do not touch the LEDs.

### TROUBLESHOOTING

1. Check that the line voltage at the fixture is correct. Refer to wiring directions.
2. Is the fixture grounded properly?
3. If used, is the photocell functioning properly?



© 2021 RAB LIGHTING Inc.

ALED 50-150W - IN - 1121  
73115-RAB

#### Easy Answers

[rablighting.com](http://rablighting.com)  
Visit our website for product info

**Tech Help Line**  
Call our experts: 888 722-1000

**e-mail**  
Answered promptly - [sales@rablighting.com](mailto:sales@rablighting.com)

**Free Lighting Layouts**  
Answered online or by request

**RAB WARRANTY:** RAB's warranty is subject to all terms and conditions found at [rablighting.com/warranty](http://rablighting.com/warranty).