



Color: Bronze

Weight: 32.5 lbs

|                     |              |
|---------------------|--------------|
| <b>Project:</b>     | <b>Type:</b> |
| <b>Prepared By:</b> | <b>Date:</b> |

| Driver Info |                  | LED Info       |               |
|-------------|------------------|----------------|---------------|
| Type        | Constant Current | Watts          | 150W          |
| 120V        | 1.31A            | Color Temp     | 5000K (Cool)  |
| 208V        | 0.80A            | Color Accuracy | 71 CRI        |
| 240V        | 0.69A            | L70 Lifespan   | 100,000 Hours |
| 277V        | 0.60A            | Lumens         | 16,839 lm     |
| Input Watts | 155.2W           | Efficacy       | 108.5 lm/W    |

## Technical Specifications

### Other

#### Bi-Level Operation:

Allows 50% and 100% output modes

#### Warranty:

RAB warrants that our LED products will be free from defects in materials and workmanship for a period of five (5) years from the date of delivery to the end user, including coverage of light output, color stability, driver performance and fixture finish. RAB's warranty is subject to all terms and conditions found at [rablighting.com/warranty](http://rablighting.com/warranty).

#### Buy American Act Compliance:

RAB values USA manufacturing! Upon request, RAB may be able to manufacture this product to be compliant with the Buy American Act (BAA). Please contact customer service to request a quote for the product to be made BAA compliant.

### Compliance

#### DLC Listed:

This product is on the Design Lights Consortium (DLC) Qualified Products List and is eligible for rebates from DLC Member Utilities. DLC Product Code: PHQG1YES

#### UL Listed:

Suitable for wet locations

#### IP Rating:

Ingress protection rating of IP66 for dust and water

### Performance

#### Lifespan:

100,000-Hour LED lifespan based on IES LM-80 results and TM-21 calculations

#### Wattage Equivalency:

Equivalent to 400W Metal Halide

### Construction

#### IES Classification:

The Type III distribution is ideal for roadway, general parking and other area lighting applications where a larger pool of lighting is required. It is intended to be located near the side of the area, allowing the light to project outward and fill the area.

#### Maximum Ambient Temperature:

Suitable for use in up to 40°C (104°F)

#### Cold Weather Starting:

The minimum starting temperature is -40°C (-40°F)

#### Thermal Management:

Superior thermal management with external "Air-Flow" fins

#### Lens:

Tempered glass lens

#### Housing:

Die-cast aluminum housing, lens frame and mounting arm

#### Mounting:

Universal mounting arm compatible for hole spacing patterns from 1" to 5 1/2" center to center. Round Pole Adaptor plate included as a standard. Easy slide and lock to mount fixture with ease. Round pole diameter must be >4" to mount fixtures at 90° orientation.

#### Reflector:

Specular vacuum-metallized polycarbonate

#### Gaskets:

High-temperature silicone gaskets

#### EPA:

1 Fixture: 0.75  
 2 Fixtures at 90°: 1.2  
 2 Fixtures at 180°: 2.4  
 3 Fixtures at 90°: 2.4  
 4 Fixtures at 90°: 1.8

#### Finish:

Formulated for high durability and long-lasting color

## Technical Specifications (continued)

### Green Technology:

Mercury and UV free. RoHS-compliant components.

### LED Characteristics

#### LEDs:

Multi-chip, high-output, long-life LEDs

#### Color Consistency:

7-step MacAdam Ellipse binning to achieve consistent fixture-to-fixture color

#### Color Stability:

LED color temperature is warrantied to shift no more than 200K in color temperature over a 5-year period

#### Color Uniformity:

RAB's range of Correlated Color Temperature follows the guidelines of the American National Standard for Specifications for the Chromaticity of Solid State Lighting (SSL) Products, ANSI C78.377-2017.

### Electrical

#### THD:

6% at 120V, 11.3% at 277V

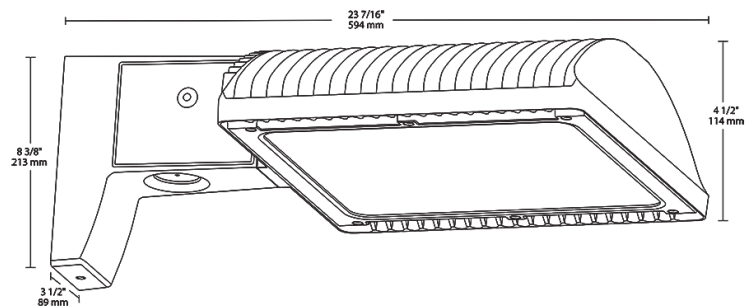
#### Power Factor:

99.5% at 120V, 93.7% at 277V

#### Surge Protection:

4kV

## Dimensions



## Features

- 66% energy cost savings vs. HID
- 100,000-hour LED lifespan
- 5-Year, No-Compromise Warranty

## Ordering Matrix

| Family | Optics  | Wattage  | Mounting                                 | Color Temp   | Finish   | Driver Options   | Options  | Other Options                              |
|--------|---|--|--|--|--|--|--|--|
| ALED   | 3T  | 150  |  |  |  | /BL  |  |  |
|        | 4T = Type IV<br>3T = Type III<br>2T = Type II | 50 = 50W<br>78 = 78W<br>105 = 105W<br>125 = 125W<br>150 = 150W | Blank = Pole<br>mount<br>SF = Slipfitter | Blank = 5000K<br>Cool<br>N = 4000K<br>Neutral<br>Y = 3000K<br>Warm | Blank = Bronze<br>RG = Roadway<br>Gray<br>W = White<br>K = Black | Blank = 120-277V<br>/480 = 480V<br>/BL = Bi-Level<br>/D10 = 0-10V Dimming<br>/480/D10 = 480V,<br>0-10V Dimming | Blank = No Option<br>/LC = Lightcloud®<br>Controller<br>/PCS = 120V Swivel<br>Photocell<br>/PCS2 = 277V Swivel<br>Photocell<br>/PCT = 120-277V<br>Twistlock Photocell<br>/PCS4 = 480V Swivel<br>Photocell<br>/PCT4 = 480V Twistlock<br>Photocell<br>/WS2 = Multi-Level<br>Motion Sensor 20 ft<br>/WS4 = Multi-Level<br>Motion Sensor 40 ft | Blank = Standard<br>USA = BAA<br>Compliant |