



Color: Bronze

Weight: 32.0 lbs

<b>Project:</b>	<b>Type:</b>
<b>Prepared By:</b>	<b>Date:</b>

Driver Info		LED Info	
Type	Constant Current	Watts	125W
120V	1.12A	Color Temp	5000K (Cool)
208V	N/A	Color Accuracy	70 CRI
240V	N/A	L70 Lifespan	100,000 Hours
277V	N/A	Lumens	14,891 lm
Input Watts	134.3W	Efficacy	110.9 lm/W

## Technical Specifications

### Electrical

#### Driver:

One Driver, Constant Current, Class 2, 1800mA 100-277V, 50-60Hz, Power Factor 99%

#### THD:

5.5% at 120V, 15.6% at 277V

#### Power Factor:

99.4% at 120V, 92.1% at 277V

#### Photocell:

120V Swivel photocell included. Photocell is only compatible with 120V.

#### Surge Protection:

4kV

### Compliance

#### DLC Listed:

This product is on the Design Lights Consortium (DLC) Qualified Products List and is eligible for rebates from DLC Member Utilities. DLC Product Code: P0000177M

#### UL Listed:

Suitable for wet locations

#### IP Rating:

Ingress protection rating of IP66 for dust and water

### Performance

#### Lifespan:

100,000-Hour LED lifespan based on IES LM-80 results and TM-21 calculations

#### Wattage Equivalency:

Equivalent to 350W Metal Halide

### Construction

#### IES Classification:

The Type III distribution is ideal for roadway, general parking and other area lighting applications where a larger pool of lighting is required. It is intended to be located near the side of the area, allowing the light to project outward and fill the area.

#### Maximum Ambient Temperature:

Suitable for use in up to 40°C (104°F)

#### Cold Weather Starting:

The minimum starting temperature is -40°C (-40°F)

#### Thermal Management:

Superior thermal management with external "Air-Flow" fins

#### Lens:

Tempered glass lens

### Housing:

Die-cast aluminum housing, lens frame and mounting arm

### Mounting:

Universal mounting arm compatible for hole spacing patterns from 1" to 5 1/2" center to center. Round Pole Adaptor plate included as a standard. Easy slide and lock to mount fixture with ease. Round pole diameter must be >4" to mount fixtures at 90° orientation.

### Reflector:

Specular vacuum-metallized polycarbonate

### Gaskets:

High-temperature silicone gaskets

### EPA:

- 1 Fixture: 0.75
- 2 Fixtures at 90°: 1.2
- 2 Fixtures at 180°: 2.4
- 3 Fixtures at 90°: 2.4
- 4 Fixtures at 90°: 1.8

### Finish:

Formulated for high durability and long-lasting color

### Green Technology:

Mercury and UV free. RoHS-compliant components.

## Technical Specifications (continued)

### LED Characteristics

**LEDs:**

Multi-chip, high-output, long-life LEDs

**Color Stability:**

LED color temperature is warranted to shift no more than 200K in color temperature over a 5-year period

**Color Uniformity:**

RAB's range of Correlated Color Temperature follows the guidelines of the American National Standard for Specifications for the Chromaticity of Solid State Lighting (SSL) Products, ANSI C78.377-2017.

### Optical

**BUG Rating:**

B1 U0 G2

### Other

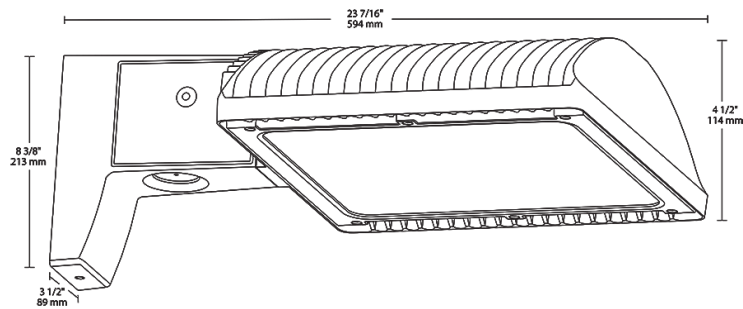
**Warranty:**

RAB warrants that our LED products will be free from defects in materials and workmanship for a period of five (5) years from the date of delivery to the end user, including coverage of light output, color stability, driver performance and fixture finish. RAB's warranty is subject to all terms and conditions found at [rablighting.com/warranty](http://rablighting.com/warranty).

**Buy American Act Compliance:**

RAB values USA manufacturing! Upon request, RAB may be able to manufacture this product to be compliant with the Buy American Act (BAA). Please contact customer service to request a quote for the product to be made BAA compliant.

### Dimensions



### Features

- 66% energy cost savings vs. HID
- 100,000-hour LED lifespan
- 5-Year, No-Compromise Warranty

## Ordering Matrix

Family	Optics	Wattage	Mounting	Color Temp	Finish	Driver Options	Options	Other Options
ALED	3T	125					/PCS	
	<b>4T</b> = Type IV <b>3T</b> = Type III <b>2T</b> = Type II	<b>50</b> = 50W <b>78</b> = 78W <b>105</b> = 105W <b>125</b> = 125W <b>150</b> = 150W	<b>Blank</b> = Pole mount <b>SF</b> = Slipfitter	<b>Blank</b> = 5000K Cool <b>N</b> = 4000K Neutral <b>Y</b> = 3000K Warm	<b>Blank</b> = Bronze <b>RG</b> = Roadway Gray <b>W</b> = White <b>K</b> = Black	<b>Blank</b> = 120-277V <b>/480</b> = 480V <b>/BL</b> = Bi-Level Dimming <b>/D10</b> = 0-10V Dimming <b>/480/D10</b> = 480V, 0-10V Dimming	<b>Blank</b> = No Option <b>/LC</b> = Lightcloud® Controller <b>/PCS</b> = 120V Swivel Photocell <b>/PCS2</b> = 277V Swivel Photocell <b>/PCT</b> = 120-277V Twistlock Photocell <b>/PCS4</b> = 480V Swivel Photocell <b>/PCT4</b> = 480V Twistlock Photocell <b>/WS2</b> = Multi-Level Motion Sensor 20 ft <b>/WS4</b> = Multi-Level Motion Sensor 40 ft	<b>Blank</b> = Standard <b>USA</b> = BAA Compliant