



Color: Bronze

Weight: 75.0 lbs

Project:

Type:

Prepared By:

Date:

Driver Info

Type	Constant Current
120V	2.98A
208V	1.73A
240V	1.50A
277V	1.31A
Input Watts	356.9W

LED Info

Watts	360W
Color Temp	3000K (Warm)
Color Accuracy	71 CRI
L70 Lifespan	100,000 Hours
Lumens	42,321 lm
Efficacy	118.6 lm/W

Technical Specifications

Compliance

UL Listed:

Suitable for wet locations

IP Rating:

Ingress protection rating of IP66 for dust and water

IESNA LM-79 & lm-80 Testing:

RAB LED luminaires and LED components have been tested by an independent laboratory in accordance with IESNA lm-79 and lm-80

Performance

Lifespan:

100,000-Hour LED lifespan based on IES LM-80 results and TM-21 calculations

Wattage Equivalency:

Equivalent to 1,000W Pulse Start Metal Halide

Construction

IES Classification:

The Type II distribution is ideal for wide walkways, on ramps and entrance roadways, bike paths and other long and narrow lighting applications. This type is meant for lighting larger areas and usually is located near the roadside. This type of lighting is commonly found on smaller side streets or jogging paths.

Maximum Ambient Temperature:

Suitable for use in up to 40°C (104°F)

Cold Weather Starting:

The minimum starting temperature is -40°C (-40°F)

Thermal Management:

Superior thermal management with external "Air-Flow" fins

Lens:

Tempered glass lens included

Housing:

Die-cast aluminum with airflow fins for cooling

Mounting:

Slipfitter with 180° pivot available for mounting on 2 3/8" tenon

Reflector:

Vacuum-metallized polycarbonate

Gaskets:

High-temperature silicone gaskets

Maximum EPA:

5.0.

Finish:

Formulated for high durability and long-lasting color

Green Technology:

Mercury and UV free. RoHS-compliant components.

LED Characteristics

LEDs:

Multi-chip, high-output, long-life LEDs

Color Consistency:

7-step MacAdam Ellipse binning to achieve consistent fixture-to-fixture color

Color Stability:

LED color temperature is warranted to shift no more than 200K in color temperature over a 5-year period

Color Uniformity:

RAB's range of Correlated Color Temperature follows the guidelines of the American National Standard for Specifications for the Chromaticity of Solid State Lighting (SSL) Products, ANSI C78.377-2017.

Electrical

Driver:

Constant Current, Class 2, 120-277V, 50/60Hz, 120V: 2.98A, 208V: 1.73A, 240V: 1.50A, 277V: 1.31A

Technical Specifications (continued)

Dimming Driver:

Driver includes dimming control wiring for 0-10V dimming systems. Requires separate 0-10V DC dimming circuit. Dims down to 10%.

THD:

5.19% at 120V, 4.82% at 277V

Power Factor:

99.9% at 120V, 95.8% at 277V

Surge Protection:

4kV
For areas prone to surges, upgrade to 10kV surge protection. [See 10kV surge protectors here.](#)

Optical

BUG Rating:

B3 U0 G4

Other

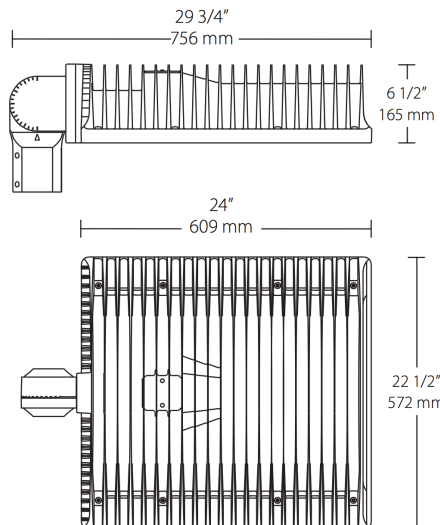
Warranty:

RAB warrants that our LED products will be free from defects in materials and workmanship for a period of five (5) years from the date of delivery to the end user, including coverage of light output, color stability, driver performance and fixture finish. RAB's warranty is subject to all terms and conditions found at rablighting.com/warranty.

Buy American Act Compliance:

RAB values USA manufacturing! Upon request, RAB may be able to manufacture this product to be compliant with the Buy American Act (BAA). Please contact customer service to request a quote for the product to be made BAA compliant.

Dimensions



Features

- 66% energy cost savings vs. HID
- 100,000-hour LED lifespan
- 5-Year, No-Compromise Warranty

Ordering Matrix

Family	Distribution	Wattage	Mounting	Color Temp	Finish	Dimming Driver Options	Sensor Options	Other Options
ALED	2T	360	SF	Y		/D10		
	4T = Type IV 3T = Type III 2T = Type II	260 = 260W 360 = 360W	Blank = Pole SF = Slipfitter	Blank = 5000K Cool N = 4000K Neutral Y = 3000K Warm	Blank = Bronze W = White	/D10 = 120-277V, 0-10V Dim /480/D10 = 480V, 0-10V Dim	Blank = No Option /PCT = 120-277V Twistlock Photocell /PCT4 = 480V Twistlock Photocell /WS4 = Motion Sensor/Photocell ¹ /WS10 = Motion Sensor/Photocell ¹ /LC = Lightcloud® Controller ¹	Blank = Standard USA = BAA Compliant

¹ Not available for slipfitter models.