



Color: Bronze

Weight: 32.0 lbs

Project:	Type:
Prepared By:	Date:

Driver Info		LED Info	
Type	Constant Current	Watts	150W
120V	1.31A	Color Temp	5000K (Cool)
208V	0.80A	Color Accuracy	71 CRI
240V	0.69A	L70 Lifespan	100,000 Hours
277V	0.60A	Lumens	17,834 lm
Input Watts	153.2W	Efficacy	116.4 lm/W

Technical Specifications

Other

Bi-Level Operation:

Allows 50% and 100% output modes

Warranty:

RAB warrants that our LED products will be free from defects in materials and workmanship for a period of five (5) years from the date of delivery to the end user, including coverage of light output, color stability, driver performance and fixture finish. RAB's warranty is subject to all terms and conditions found at rablighting.com/warranty.

Buy American Act Compliance:

RAB values USA manufacturing! Upon request, RAB may be able to manufacture this product to be compliant with the Buy American Act (BAA). Please contact customer service to request a quote for the product to be made BAA compliant.

Compliance

DLC Listed:

This product is on the Design Lights Consortium (DLC) Qualified Products List and is eligible for rebates from DLC Member Utilities. DLC Product Code: PKSJ8MUN

UL Listed:

Suitable for wet locations

IP Rating:

Ingress protection rating of IP66 for dust and water

Performance

Lifespan:

100,000-Hour LED lifespan based on IES LM-80 results and TM-21 calculations

Wattage Equivalency:

Equivalent to 400W Metal Halide

Construction

IES Classification:

The Type II distribution is ideal for wide walkways, on ramps and entrance roadways, bike paths and other long and narrow lighting applications. This type is meant for lighting larger areas and usually is located near the roadside. This type of lighting is commonly found on smaller side streets or jogging paths.

Maximum Ambient Temperature:

Suitable for use in up to 40°C (104°F)

Cold Weather Starting:

The minimum starting temperature is -40°C (-40°F)

Thermal Management:

Superior thermal management with external "Air-Flow" fins

Lens:

Tempered glass lens

Housing:

Die-cast aluminum housing, lens frame and mounting arm

Mounting:

Universal mounting arm compatible for hole spacing patterns from 1" to 5 1/2" center to center. Round Pole Adaptor plate included as a standard. Easy slide and lock to mount fixture with ease. Round pole diameter must be >4" to mount fixtures at 90° orientation.

Reflector:

Specular vacuum-metallized polycarbonate

Gaskets:

High-temperature silicone gaskets

EPA:

- 1 Fixture: 0.75
- 2 Fixtures at 90°: 1.2
- 2 Fixtures at 180°: 2.4
- 3 Fixtures at 90°: 2.4
- 4 Fixtures at 90°: 1.8

Technical Specifications (continued)

Finish:

Formulated for high durability and long-lasting color

Green Technology:

Mercury and UV free. RoHS-compliant components.

LED Characteristics

LEDs:

Multi-chip, high-output, long-life LEDs

Color Consistency:

7-step MacAdam Ellipse binning to achieve consistent fixture-to-fixture color

Color Stability:

LED color temperature is warranted to shift no more than 200K in color temperature over a 5-year period

Color Uniformity:

RAB's range of Correlated Color Temperature follows the guidelines of the American National Standard for Specifications for the Chromaticity of Solid State Lighting (SSL) Products, ANSI C78.377-2017.

Electrical

Drivers:

Two Drivers, Constant Current, Class 2, 2000mA, 100-277V, 50-60Hz, Power Factor 99%

THD:

6.6% at 120V, 12.1% at 277V

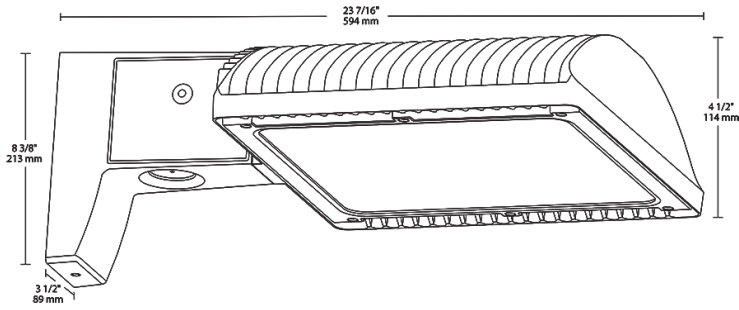
Power Factor:

99.5% at 120V, 93.7% at 277V

Surge Protection:

4kV

Dimensions



Features

- 66% energy cost savings vs. HID
- 100,000-hour LED lifespan
- 5-Year, No-Compromise Warranty

Ordering Matrix

Family	Optics	Wattage	Mounting	Color Temp	Finish	Driver Options	Options	Other Options
ALED	2T	150				/BL		
	4T = Type IV 3T = Type III 2T = Type II	50 = 50W 78 = 78W 105 = 105W 125 = 125W 150 = 150W	Blank = Pole mount SF = Slipfitter	Blank = 5000K Cool N = 4000K Neutral Y = 3000K Warm	Blank = Bronze RG = Roadway Gray W = White K = Black	Blank = 120-277V /480 = 480V /BL = Bi-Level /D10 = 0-10V Dimming /480/D10 = 480V, 0-10V Dimming	Blank = No Option /LC = Lightcloud® Controller /PCS = 120V Swivel Photocell /PCS2 = 277V Swivel Photocell /PCT = 120-277V Twistlock Photocell /PCS4 = 480V Swivel Photocell /PCT4 = 480V Twistlock Photocell /WS2 = Multi-Level Motion Sensor 20 ft /WS4 = Multi-Level Motion Sensor 40 ft	Blank = Standard USA = BAA Compliant