



<b>Project:</b>	<b>Type:</b>
<b>Prepared By:</b>	<b>Date:</b>

Driver Info		LED Info	
Type	Constant Current	Watts	100/80/50W
120V	0.83A/0.64A/0.44A	Color Temp	3000/4000/5000K
208V	0.60A/0.40A/0.25A	Color Accuracy	81-84 CRI
240V	0.50A/0.35A/0.21A	L70 Lifespan	100,000 Hours
277V	0.39A/0.29A/0.19A	Lumens	7,357-15,508 lm
Input Watts	46.4-96.6W	Efficacy	141.3-176.5 lm/W

## Technical Specifications

### Field Adjustability

#### Field Adjustable:

Field Adjustable Light Output:  
100W/80W/50W (factory default 80W)  
Color temperature selectable by 3000K, 4000K and 5000K (factory default 4000K)

### Compliance

#### UL Listed:

Suitable for wet locations

#### IESNA LM-79 & LM-80 Testing:

RAB LED luminaires and LED components have been tested by an independent laboratory in accordance with IESNA LM-79 and LM-80.

#### IP Rating:

Ingress protection rating of IP65 for dust and water

#### DLC Listed:

This product is listed by Design Lights Consortium (DLC) as an ultra-efficient premium product that qualifies for the highest tier of rebates from DLC Member Utilities. Designed to meet DLC 5.1 requirements.  
DLC Product Code: S-V4XZ20

### Performance

#### Lifespan:

100,000-Hour LED lifespan based on IES LM-80 results and TM-21 calculations

### Wattage Equivalency:

100W: Replaces up to 400W Metal Halide (MH) or 310W High Pressure Sodium (HPS)  
80W: Replaces up to 350W Metal Halide (MH) or 250W High Pressure Sodium (HPS)  
50W: Replaces up to 200W Metal Halide (MH) or 150W High Pressure Sodium (HPS)

### Electrical

#### Driver:

100W: Constant Current, Class 1, Class P, 120-277V, 50/60 Hz, 120V: 0.83A, 208V: 0.60A, 240V: 0.50A, 277V: 0.39A  
80W: Constant Current, Class 1, Class P, 120-277V, 50/60 Hz, 120V: 0.64A, 208V: 0.40A, 240V: 0.35A, 277V: 0.29A  
50W: Constant Current, Class 1, Class P, 120-277V, 50/60 Hz, 120V: 0.44A, 208V: 0.25A, 240V: 0.21A, 277V: 0.19A

#### Dimming Driver:

Driver includes dimming control wiring for 0-10V dimming systems. Requires separate 0-10V DC dimming circuit. Dims down to 10%.

#### Surge Protection:

L-L: 4kV; L/N-G: 6kV

#### Photocell:

Integrated photocell included with on/off switch

### Construction

#### IES Classification:

The Type III distribution is ideal for roadway, general parking and other area lighting applications where a larger pool of lighting is required. It is intended to be located near the side of the area, allowing the light to project outward and fill the area.

#### Cold Weather Starting:

The minimum starting temperature is -40°C (-40°F)

#### Maximum Ambient Temperature:

Suitable for use in up to 40°C (104°F)

#### Lens:

Clear polycarbonate lens

#### Housing:

Die-cast aluminum housing, lens frame and mounting arm

#### Effective Projected Area:

EPA = 0.3

#### Tilt Increment:

The fixture can be rotated from 0-125° in 5° increments

## Technical Specifications (continued)

### Vibration Rating:

3G

### Finish:

Formulated for high durability and long-lasting color

### Green Technology:

Includes recycled plastic and RoHS-compliant components.

### LED Characteristics

#### LEDs:

Long-life, high-efficiency, surface-mount LEDs

### Color Uniformity:

RAB's range of Correlated Color Temperature follows the guidelines of the American National Standard for Specifications for the Chromaticity of Solid State Lighting (SSL) Products, ANSI C78.377-2017.

### Installation

#### Mounting:

Slipfitter for 2 3/8" OD pipe

### Optical

#### BUG Rating:

100W: B3 U0 G2

80W: B2 U0 G2

50W: B2 U0 G1

### Lightcloud

#### Lightcloud Blue:

Lightcloud Blue is a Bluetooth Mesh wireless lighting control system that allows you to control RAB's various compatible devices. With RAB's patented Rapid Provisioning technology, devices can be quickly and easily commissioned for residential and large commercial applications using the Lightcloud Blue mobile app. Each device in a system can communicate with any other device, eliminating the need for a Gateway or Hub and maximizing the control system's reach.

DLC system - N1XMLOEATBA (Interior);

NHCZ2BIA17L (Exterior)

Learn more at [www.lightcloud.com](http://www.lightcloud.com).

#### Gateway Required:

No

#### Communication Protocol:

Bluetooth Mesh

### Range:

Indoor: Up to 60 feet between standard building materials. Building materials such as brick, concrete, and steel construction may require additional Lightcloud Blue devices to extend around an obstruction; Up to 200 feet clear line of sight.

Outdoor: Up to 60 feet clear line of sight; Up to 18 feet around corners

### Spacing Criteria:

Lightcloud Blue devices should be placed within the specified range to communicate within the Bluetooth Mesh network.

### Factory Reset:

Method 1: Delete from App

Open the app and access the device settings for the paired device. Be sure that the device is online and select 'Delete from Site'. The device will flash on/off 5 times and return to full brightness.

Method 2: Manual

Power the device off and on 5x consecutively. Do not allow less than 4s to elapse from switching off to on. Do not allow more than 2s to elapse from switching on to off. The device will flash 3x, then reset to 100% brightness at default CCT.

Method 3: Rapid Reset Tool

The Rapid Reset process must be done by a professional electrician qualified by RAB. Reach out to your RAB sales manager to request a Rapid Reset Tool. The tool simply needs to be placed directly on the small Lightcloud Blue logo on the device for 2s or until the lamp/luminaire flashes 3x, then resets to 100% brightness at the default CCT.

### Sensor Settings

#### Sensor Connection Type:

Pogo pin

#### Max Mounting Height:

40 ft

#### Detection Range:

40 ft diameter mounted at 40 ft

#### Sensor Technology:

Passive Infrared (PIR)

### Default Setting:

Uncommissioned State:

Motion Sensitivity: High

Brightness when triggered : 100%

Hold time: 20 minutes

Standby to dim: 20%

Standby time: 1 minute

When vacant: Off

Commissioned State:

Once pair, the sensor will default to disabled. Once enabled the following settings apply:

Motion Sensitivity: High

Brightness when triggered: Last on status

Hold time: 20 minutes

Standby to dim: 20%

Standby time: 1 minute

When vacant: Off

### Adjustable Sensor Settings?:

Yes, using the Lightcloud Blue mobile app

### Sensing Type:

Occupancy or Vacancy (option to disable or set as an independent sensor)

### Occupied Actions:

On or On at a Dim Level

### Vacant Actions:

Off or On at a Dim Level

### Occupancy Timeout:

1 minute to 240 minutes

### Daylight Sensing:

The sensor will determine to trigger the light(s) on or not based on the daylight threshold level set in the Lightcloud Blue mobile app.

### Daylight Threshold:

150 lux to 1500 lux

### Other

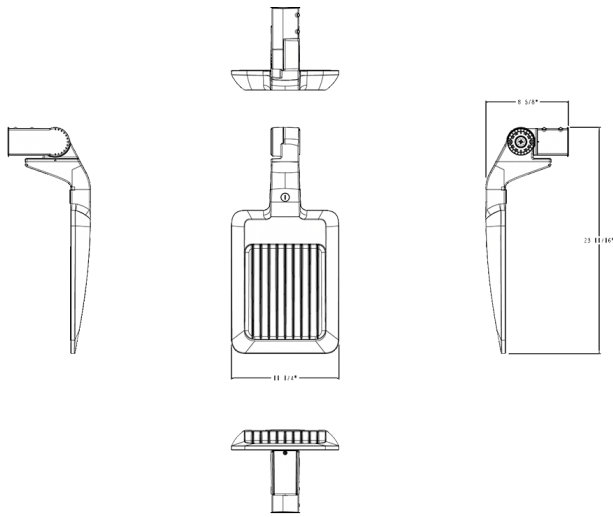
#### 5 Yr Limited Warranty:

The RAB 5-year, limited warranty covers light output, driver performance and paint finish. RAB's warranty is subject to all terms and conditions found at [rablighting.com/warranty](http://rablighting.com/warranty).

#### Buy American Act Compliance:

RAB values USA manufacturing! Upon request, RAB may be able to manufacture this product to be compliant with the Buy American Act (BAA). Please contact customer service to request a quote for the product to be made BAA compliant.

## Dimensions



## Features

- 100,000-hour LED Life
- 0-10V dimming standard
- IP65 rating protects against dust and water
- 5-Year, limited warranty

## Ordering Matrix

Family	Distribution	Size/Wattage	Mounting	Color Temp	Finish	Driver	Options
A34	T3	S	SF		W		/LCBS
T4 = Type IV T5 = Type V T3 = Type III	S = Small 100/80/50W M = Medium 150/125/100W L = Large 250/200/150W XL = Extra Large 340/270/220W	Blank = Universal Pole Mount SF = Slipfitter Mount WM = Wall Mount	Blank = 3000/4000/5000K CCT Adjustable	Blank = Bronze W = White	Blank = 120-277V, 0-10V Dimming /480 = 480V, 0-10V Dimming	Blank = No Option /PIR = Passive Infrared Occupancy Sensor /MVS = Microwave Motion Sensor /LCBS = Lightcloud Blue w/PIR Sensor /LCBS/MVS = Lightcloud Blue w/MVS Sensor	

<sup>1</sup> 480V available on M, L, and XL models only.