



Color: Black

Weight: 11.2 lbs

Project:	Type:
Prepared By:	Date:

Driver Info		LED Info	
Type	Constant	Watts	70/60/50W
120V	N/A	Color Temp	3000K/4000K/5000K
208V	N/A	Color	81-84 CRI
240V	N/A	Accuracy	
277V	N/A	L70 Lifespan	100,000 Hours
Input Watts	49.5-71.2W	Lumens	7,524-10,927 lm
		Efficacy	140-163.5 lm/W

Technical Specifications

Field Adjustability

Field Adjustable:

Field Adjustable Light Output:
70W/60W/50W (factory default: 70W)
Color Temperature Selectable:
3000K, 4000K and 5000K (factory default:4000K)

Compliance

UL Listed:

Suitable for wet locations. Suitable for mounting within 4ft (1.2m) of the ground.

IESNA LM-79 & LM-80 Testing:

RAB LED luminaires and LED components have been tested by an independent laboratory in accordance with IESNA LM-79 and LM-80.

IP Rating:

Ingress protection rating of IP66 for dust and water

DLC Listed:

This product is listed by Design Lights Consortium (DLC) as an ultra-efficient premium product that qualifies for the highest tier of rebates from DLC Member Utilities. Designed to meet DLC 5.1 requirements.
DLC Product Code: S-1P3NTN

Performance

Lifespan:

100,000-Hour LED lifespan based on IES LM-80 results and TM-21 calculations

Wattage Equivalency:

70W: Replaces up to 350W Metal Halide (MH) or 200W High Pressure Sodium (HPS)
60W: Replaces up to 250W Metal Halide (MH) or 200W High Pressure Sodium (HPS)
50W: Replaces up to 200W Metal Halide (MH) or 150W High Pressure Sodium (HPS)

Electrical

Driver:

Constant Current, Class 1, 480V, 50/60 Hz:
70W: 480V: 0.15A
60W: 480V: 0.13A
50W: 480V: 0.10A

Dimming Driver:

Driver includes dimming control wiring for 0-10V dimming systems. Requires separate 0-10V DC dimming circuit. Dims down to 10%.

THD:

13.92% at 480V

Power Factor:

91.8% at 480V

7-Pin Receptacle with Shorting Cap:

ANSI C136.41 7-pin receptacle, compatible with wireless control systems

Surge Protection:

6kV

Construction

IES Classification:

The Type V distribution produces light in a wide and uniform 360° pattern that is perfect for large outdoor areas such as parking lots, corporate parks and retail settings

Cold Weather Starting:

The minimum starting temperature is -40°C (-40°F)

Maximum Ambient Temperature:

Suitable for use in up to 40°C (104°F)

Lens:

Polycarbonate lens

Housing:

Die-cast aluminum

Effective Projected Area:

1 Fixture: 0.3
2 Fixtures: 0.7
3 Fixtures: 1.2
4 Fixtures: 1.2

Technical Specifications (continued)**Mounting:**

Adjustable universal pole mount (standard).
Slipfitter and wall mount accessory available.

Finish:

Formulated for high durability and long-lasting color

Gaskets:

High-temperature silicone gaskets

Green Technology:

Mercury and UV free. RoHS-compliant components.

LED Characteristics**LEDs:**

Long-life, high-efficacy, surface-mount LEDs

Color Uniformity:

RAB's range of Correlated Color Temperature follows the guidelines of the American National Standard for Specifications for the Chromaticity of Solid State Lighting (SSL) Products, ANSI C78.377-2017.

Optical**BUG Rating:**

Type 4
70W: B2 U0 G2
60W: B2 U0 G2
50W: B2 U0 G2

Sensor Specifications**Voltage Input:**

12V DC Input, IC Solution

Operating Voltage:

10-15V

Control:

On/Off control

Detection Area:

25%/50%/75%/100% (Factory Setting: 100%)

Microwave Frequency:

5.8GHz +/- 75MHz

Hold Time:

5 sec/30 sec/1 min/10 min/20 min/30 min (Factory Setting: 5 sec)

Microwave Power:

<0.3mW

Switching Capacity:

<40mA

Daylight Threshold:

2Lux/10Lux/30Lux/50Lux/80Lux/120Lux/Disable
(Factory Setting: Disable)

Mounting Height:

2.5 - 4.5 m/8.2 - 14.76 ft

Operating Current:

<30mA

Stand-by Period:

0 sec/10 sec/30 sec/1 min/5 min/10 min/+∞ (Factory Setting: 0 sec)

Detection Range:

9.84 - 22.96 ft (3 - 7 m)

Control Method:

0-10V

Stand-by Dimming Level:

10%/20%/30%/50% (Factory Setting: 10%)

Detection Angle:

360° (ceiling mounted)

Operating Temperature:

-35°C to +70°C (-31°F to + 158°F)

Remote Control:

Adjust settings using remote control (catalog# MSR1). Only available with 0-10V dimming driver options. [Remote control available here.](#)

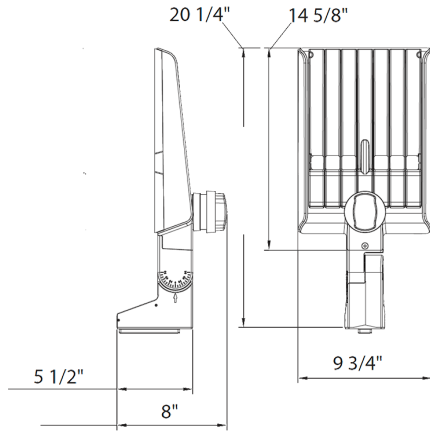
Other**5 Yr Limited Warranty:**

The RAB 5-year, limited warranty covers light output, driver performance and paint finish. RAB's warranty is subject to all terms and conditions found at rablighting.com/warranty.

Buy American Act Compliance:

RAB values USA manufacturing! Upon request, RAB may be able to manufacture this product to be compliant with the Buy American Act (BAA). Please contact customer service to request a quote for the product to be made BAA compliant.

Dimensions



Features

- DLC Premium listed
- Adjustable Universal Pole Mount
- 7-Pin Receptacle with Shorting Cap
- IP66 Rated
- 100,000-Hour LED lifespan
- 5-Year, limited warranty

Ordering Matrix

Family	Optics	Wattages	Mounting	Color Temp	Finish	Voltage	Options
A22	-	5T	70		B	/480	/MVS
	2T = Type II 4T = Type IV 5T = Type V Blank = Type III	70 = 70/60/50W 100 = 100/80/60W 150 = 150/120/100W 200 = 200/180/160W 320 = 320/280/250W	Blank = Universal Adjustable Pole Mount	Blank = 3000K/4000K/5000K CCT Adjustable	Blank = Bronze W = White B = Black	Blank = 120-277V, 0-10V Dimming /480 = 480V, 0-10V Dimming	Blank = 7-Pin Receptacle with Shorting Cap /MVS = 7-Pin Receptacle with Shorting Cap and Microwave Occupancy Sensor /LCBS = Lightcloud Blue Enabled w/PIR Sensor /LCBS/MVS = Lightcloud Blue Enabled w/MVS Sensor