



<b>Project:</b>	<b>Type:</b>
<b>Prepared By:</b>	<b>Date:</b>

Driver Info		LED Info	
Type	Constant	Watts	200/180/160W
120V	N/A	Color	3000K
208V	N/A	Temp	
240V	N/A	Color Accuracy	82 CRI
277V	N/A	L70	
Input Watts	192.9/182.9/164.9W	Lifespan	100,000 Hours
		Lumens	29,252/27,998/25,647 lm
		Efficacy	151.6/153.1/155.5 lm/W

**Technical Specifications**

**Field Adjustability**

**Field Adjustable:**

Field Adjustable Light Output:  
200W/180W/160W (factory default: 200W)

**Compliance**

**UL Listed:**

Suitable for wet locations. Suitable for mounting within 4ft (1.2m) of the ground.

**IESNA LM-79 & LM-80 Testing:**

RAB LED luminaires and LED components have been tested by an independent laboratory in accordance with IESNA LM-79 and LM-80.

**IP Rating:**

Ingress protection rating of IP66 for dust and water

**DLC Listed:**

This product is listed by Design Lights Consortium (DLC) as an ultra-efficient premium product that qualifies for the highest tier of rebates from DLC Member Utilities. Designed to meet DLC 5.1 requirements.

DLC Product Code: S-8J0N4B

**LUNA:**

This product has received the Design Lights Consortium's LUNA listing for 3000K Models. Designed to meet LUNA 5.1 requirements. LUNA Product Code: S-8J0N4B

**Performance**

**Lifespan:**

100,000-Hour LED lifespan based on IES LM-80 results and TM-21 calculations

**THD:**

11.93% at 480V

**Wattage Equivalency:**

200W: Replaces up to 750W Metal Halide (MH) or 400W High Pressure Sodium (HPS)  
180W: Replaces up to 750W Metal Halide (MH) or 400W High Pressure Sodium (HPS)  
160W: Replaces up to 750W Metal Halide (MH) or 400W High Pressure Sodium (HPS)

**Electrical**

**Driver:**

Constant Current, Class 1, 480V, 50/60 Hz:  
200W: 480V: 0.42A  
180W: 480V: 0.38A  
100W: 480V: 0.33A

**Dimming Driver:**

Driver includes dimming control wiring for 0-10V dimming systems. Requires separate 0-10V DC dimming circuit. Dims down to 10%.

**7-Pin Receptacle with Shorting Cap:**

ANSI C136.41 7-pin receptacle, compatible with wireless control systems

**Surge Protection:**

6kV

**Construction**

**IES Classification:**

The Type V distribution produces light in a wide and uniform 360° pattern that is perfect for large outdoor areas such as parking lots, corporate parks and retail settings

**Cold Weather Starting:**

The minimum starting temperature is -40°C (-40°F)

**Maximum Ambient Temperature:**

Suitable for use in up to 40°C (104°F)

**Lens:**

Polycarbonate lens

**Housing:**

Die-cast aluminum

**Effective Projected Area:**

1 Fixture: 0.4  
2 Fixtures: 0.8  
3 Fixtures: 1.4  
4 Fixtures: 1.4

## Technical Specifications (continued)

**Finish:**

Formulated for high durability and long-lasting color

**Gaskets:**

High-temperature silicone gaskets

**Green Technology:**

Mercury and UV free. RoHS-compliant components.

**LED Characteristics**

---

**LEDs:**

Long-life, high-efficacy, surface-mount LEDs

**Color Uniformity:**

RAB's range of Correlated Color Temperature follows the guidelines of the American National Standard for Specifications for the Chromaticity of Solid State Lighting (SSL) Products, ANSI C78.377-2017.

**Installation**

---

**Mounting:**

Non-Adjustable universal pole mount

**Optical**

---

**BUG Rating:**

Type 5

200W: B5 U0 G3

180W: B5 U0 G3

160W: B4 U0 G2

**Other**

---

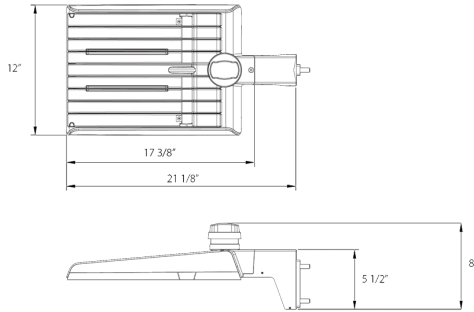
**5 Yr Limited Warranty:**

The RAB 5-year, limited warranty covers light output, driver performance and paint finish. RAB's warranty is subject to all terms and conditions found at [rablighting.com/warranty](http://rablighting.com/warranty).

**Buy American Act Compliance:**

RAB values USA manufacturing! Upon request, RAB may be able to manufacture this product to be compliant with the Buy American Act (BAA). Please contact customer service to request a quote for the product to be made BAA compliant.

**Dimensions**



**Features**

- DLC Premium listed
- Luna Listed
- Non-Adjustable Universal Pole Mount
- 7-Pin Receptacle with Shorting Cap
- IP66 Rated
- 100,000-Hour LED lifespan
- 5-Year, limited warranty

**Ordering Matrix**

Family	Optics	Wattage	Mounting	Color Temp	Finish	Driver	Options
A22	-	5T	200	Blank	Y	/480	
	2T = Type II 4T = Type IV 5T = Type V Blank = Type III	70 = 70/60/50W 100 = 100/80/60W 150 = 150/120/100W 200 = 200/180/160W 320 = 320/280/250W	Blank = Universal Adjustable Pole Mount Blank = Universal Non-Adjustable Pole Mount	Blank = 3000/4000/5000K CCT Adjustable Y = 3000K	Blank = Bronze W = White B = Black	Blank = 120-277V, 0-10V Dimming /480 = 480V, 0-10V Dimming	Blank = 7-Pin Receptacle with Shorting Cap /MVS = 7-Pin Receptacle with Shorting Cap and Microwave Motion Sensor /LCBS = Lightcloud Blue w/PIR Sensor /LCBS/MVS = Lightcloud Blue w/MVS Sensor