



Color: Black

Weight: 13.0 lbs

Project:

Type:

Prepared By:

Date:

### Driver Info

|             |                   |
|-------------|-------------------|
| Type        | Constant          |
| 120V        | 1.25A/1.00A/0.83A |
| 208V        | 0.72A/0.58A/0.48A |
| 240V        | 0.63A/0.50A/0.83A |
| 277V        | 0.54A/0.43A/0.36A |
| Input Watts | 99.4-151.4W       |

### LED Info

|                |                   |
|----------------|-------------------|
| Watts          | 150/120/100W      |
| Color Temp     | 3000K/4000K/5000K |
| Color Accuracy | 80-84 CRI         |
| L70 Lifespan   | 100,000 Hours     |
| Lumens         | 15,342-22,677 lm  |
| Efficacy       | 135.7-167.1 lm/W  |

## Technical Specifications

### Field Adjustability

#### Field Adjustable:

Field Adjustable Light Output:  
150W/120W/100W (factory default: 150W)  
Color Temperature Selectable:  
3000K, 4000K and 5000K (factory default:4000K)

### Compliance

#### UL Listed:

Suitable for wet locations. Suitable for mounting within 4ft (1.2m) of the ground.

#### IESNA LM-79 & LM-80 Testing:

RAB LED luminaires and LED components have been tested by an independent laboratory in accordance with IESNA LM-79 and LM-80.

#### IP Rating:

Ingress protection rating of IP66 for dust and water

#### DLC Listed:

This product is listed by Design Lights Consortium (DLC) as an ultra-efficient premium product that qualifies for the highest tier of rebates from DLC Member Utilities. Designed to meet DLC 5.1 requirements.  
DLC Product Code: S-Q13M99

### Performance

#### Lifespan:

100,000-Hour LED lifespan based on IES LM-80 results and TM-21 calculations

#### Wattage Equivalency:

150W: Replaces up to 400W Metal Halide (MH) or 400W High Pressure Sodium (HPS)  
120W: Replaces up to 400W Metal Halide (MH) or 310W High Pressure Sodium (HPS)  
100W: Replaces up to 400W Metal Halide (MH) or 310W High Pressure Sodium (HPS)

### Electrical

#### Driver:

Constant Current, Class 1, 120-277V, 50/60 Hz:  
150W: 120V: 1.25A, 208V: 0.72A, 240V: 0.63A, 277V: 0.54A  
120W: 120V: 1.0A, 208V: 0.58A, 240V: 0.5A, 277V: 0.43A  
100W: 120V: 0.83A, 208V: 0.48A, 240V: 0.42A, 277V: 0.36A

#### Dimming Driver:

Driver includes dimming control wiring for 0-10V dimming systems. Requires separate 0-10V DC dimming circuit. Dims down to 10%.

#### THD:

4.11% at 120V, 6.6% at 277V

### Power Factor:

99.8% at 120V, 96.3% at 277V

### 7-Pin Receptacle with Shorting Cap:

ANSI C136.41 7-pin receptacle, compatible with wireless control systems

### Surge Protection:

6kV

### Construction

#### IES Classification:

The Type V distribution produces light in a wide and uniform 360° pattern that is perfect for large outdoor areas such as parking lots, corporate parks and retail settings

#### Cold Weather Starting:

The minimum starting temperature is -40°C (-40°F)

#### Maximum Ambient Temperature:

Suitable for use in up to 40°C (104°F)

#### Lens:

Polycarbonate lens

#### Housing:

Die-cast aluminum

## Technical Specifications (continued)

### Effective Projected Area:

- 1 Fixture: 0.4
- 2 Fixtures: 0.8
- 3 Fixtures: 1.4
- 4 Fixtures: 1.4

### Mounting:

Adjustable universal pole mount (standard).  
Slipfitter and wall mount accessory available.

### Finish:

Formulated for high durability and long-lasting color

### Gaskets:

High-temperature silicone gaskets

### Green Technology:

Mercury and UV free. RoHS-compliant components.

## LED Characteristics

---

### LEDs:

Long-life, high-efficacy, surface-mount LEDs

### Color Uniformity:

RAB's range of Correlated Color Temperature follows the guidelines of the American National Standard for Specifications for the Chromaticity of Solid State Lighting (SSL) Products, ANSI C78.377-2017.

## Optical

---

### BUG Rating:

- Type 5
- 150W: B4 U0 G2
- 120W: B4 U0 G2
- 100W: B4 U0 G2

## Other

---

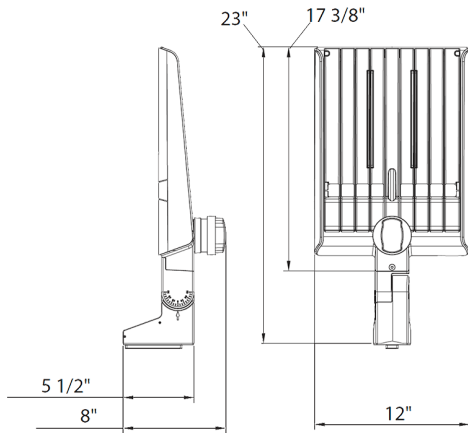
### 5 Yr Limited Warranty:

The RAB 5-year, limited warranty covers light output, driver performance and paint finish. RAB's warranty is subject to all terms and conditions found at [rablighting.com/warranty](http://rablighting.com/warranty).

### Buy American Act Compliance:

RAB values USA manufacturing! Upon request, RAB may be able to manufacture this product to be compliant with the Buy American Act (BAA). Please contact customer service to request a quote for the product to be made BAA compliant.

## Dimensions



## Features

- DLC Premium listed
- Adjustable Universal Pole Mount
- 7-Pin Receptacle with Shorting Cap
- IP66 Rated
- 100,000-Hour LED lifespan
- 5-Year, limited warranty

## Ordering Matrix

| Family | Optics  | Wattages   | Mounting                                | Color Temp                               | Finish                                   | Voltage   | Options  |
|--------|---|--|---|--|--|---|--|
| A22    | -   | 5T   | 150                                     |  | B  |   |  |
|        | 2T = Type II<br>4T = Type IV<br>5T = Type V<br>Blank = Type III | 70 = 70/60/50W<br>100 = 100/80/60W<br>150 = 150/120/100W<br>200 = 200/180/160W<br>320 = 320/280/250W | Blank = Universal Adjustable Pole Mount | Blank = 3000K/4000K/5000K CCT Adjustable | Blank = Bronze<br>W = White<br>B = Black | Blank = 120-277V, 0-10V Dimming<br>/480 = 480V, 0-10V Dimming | Blank = 7-Pin Receptacle with Shorting Cap<br>/MVS = 7-Pin Receptacle with Shorting Cap and Microwave Occupancy Sensor<br>/LCBS = Lightcloud Blue Enabled w/PIR Sensor<br>/LCBS/MVS = Lightcloud Blue Enabled w/MVS Sensor |