

A22-5T100W/480/LCBS/MVS



Color: White

Weight: 13.0 lbs

Project:	Type:
Prepared By:	Date:

Driver Info		LED Info	
Type	Constant	Watts	100/80/60W
120V	N/A	Color Temp	N/A
208V	N/A	Color Accuracy	80-84 CRI
240V	N/A	L70 Lifespan	100,000 Hours
277V	N/A	Lumens	9,232-14,745 lm
Input Watts	61.7-99.8W	Efficacy	133.7-160.9 lm/W

Technical Specifications

Field Adjustability

Field Adjustable:

Field Adjustable Light Output:
100W/80W/60W (factory default: 100W)
Color Temperature Selectable:
3000K, 4000K and 5000K (factory default:4000K)

Compliance

UL Listed:

Suitable for wet locations. Suitable for mounting within 4 ft (1.2m) of the ground.

IESNA LM-79 & LM-80 Testing:

RAB LED luminaires and LED components have been tested by an independent laboratory in accordance with IESNA LM-79 and LM-80.

IP Rating:

Ingress protection rating of IP66 for dust and water

DLC Listed:

This product family is listed with the DesignLights Consortium (DLC). Individual SKUs within this family may carry either a DLC Standard or DLC Premium qualification. Please refer to the individual product specification sheet or the DLC Qualified Products List (QPL) at designlights.org to confirm the qualification status of a specific SKU prior to specification or purchase.

Performance

Lifespan:

100,000-Hour LED lifespan based on IESlm-80 results and TM-21 calculations

Electrical

Driver:

Constant Current, Class 1, 480V, 50/60 Hz:
100W: 480V: 0.21A
80W: 480V: 0.17A
60W: 480V: 0.13A

Dimming Driver:

Driver includes dimming control wiring for 0-10V dimming systems. Requires separate 0-10V DC dimming circuit. Dims down to 10%.

THD:

13.72% at 480V

Power Factor:

93.4% at 120V, 0% at 277V

7-Pin Receptacle with Shorting Cap:

ANSI C136.41 7-pin receptacle, compatible with wireless control systems

Surge Protection:

6 kV

Optical

IES Classification:

The Type V distribution produces light in a wide and uniform 360° pattern that is perfect for large outdoor areas such as parking lots, corporate parks and retail settings

BUG Rating:

Type 5
100W: B3 U0 G2
80W: B3 U0 G1
60W: B2 U0 G1

LED Characteristics

LEDs:

Long-life, high-efficacy, surface-mount LEDs

Color Uniformity:

RAB's range of Correlated Color Temperature follows the guidelines of the American National Standard for Specifications for the Chromaticity of Solid State Lighting (SSL) Products, ANSI C78.377-2017.

Construction

Cold Weather Starting:

The minimum starting temperature is -40°F (-40°C)

Maximum Ambient Temperature:

Suitable for use in up to 104°F (40°C)



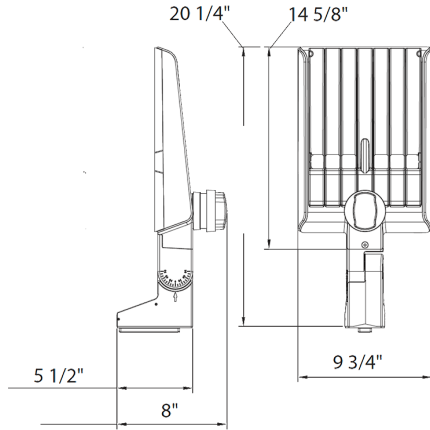
Technical Specifications (continued)

Lens: Polycarbonate lens	Range: Indoor: Up to 60 feet between standard building materials. Building materials such as brick, concrete, and steel construction may require additional Lightcloud Blue devices to extend around an obstruction; Up to 200 feet clear line of sight. Outdoor: Up to 60 feet clear line of sight; Up to 18 feet around corners	Occupancy Timeout: 1 minute to 240 minutes
Housing: Die-cast aluminum		Daylight Sensing: The sensor will determine to trigger the light(s) on or not based on the daylight threshold level set in the Lightcloud Blue mobile app.
Effective Projected Area (EPA): 1 Fixture: 0.3 2 Fixtures: 0.7 3 Fixtures: 1.2 4 Fixtures: 1.2	Spacing Criteria: Lightcloud Blue devices should be placed within the specified range to communicate within the Bluetooth Mesh network.	Daylight Threshold: 150 lux to 1500 lux
Finish: Formulated for high durability and long-lasting color		
Gaskets: High-temperature silicone gaskets	Sensor Settings	
Green Technology: Mercury and UV free. RoHS-compliant components.	Sensor Connection Type: Pogo pin	
Other	Max Mounting Height: 50 ft	
5-Year Limited Warranty: The RAB 5-year, limited warranty covers light output, driver performance and paint finish. RAB's warranty is subject to all terms and conditions found at rablighting.com/warranty .	Detection Range: 50 ft diameter mounted at 50 ft	
Lightcloud	Sensor Technology: Microwave (MVS)	
Lightcloud Blue: Lightcloud Blue is a Bluetooth Mesh wireless lighting control system that allows you to control RAB's various compatible devices. With RAB's patented Rapid Provisioning technology, devices can be quickly and easily commissioned for residential and large commercial applications using the Lightcloud Blue mobile app. Each device in a system can communicate with any other device, eliminating the need for a Gateway or Hub and maximizing the control system's reach. DLC system - N1XMLOEATBA (Interior); NHCZ2BIA17L (Exterior) Learn more at www.rablighting.com/feature/new-lightcloud-blue .	Default Setting: Uncommissioned State: Motion Sensitivity: High Brightness when triggered: 100% Hold time: 20 minutes Standby to dim: 20% Standby time: 1 minute When vacant: Off Commissioned State: Once paired, the sensor will default to disabled. Once enabled the following settings apply: Motion Sensitivity: High Brightness when triggered: Last on status Hold time: 20 minutes Standby time: 1 minute When vacant: Off	
Gateway Required: No	Adjustable Sensor Settings?: Yes, using the Lightcloud Blue mobile app	
Communication Protocol: Bluetooth Mesh	Sensing Type: Occupancy or Vacancy (option to disable or set as an independent sensor)	
	Occupied Actions: On or On at a Dim Level	
	Vacant Actions: Off or On at a Dim Level	

A22-5T100W/480/LCBS/MVS



Dimensions



Features

- DLC Premium listed
- Adjustable Universal Pole Mount
- 7-Pin Receptacle with Shorting Cap
- IP66 Rated
- 100,000-Hour LED lifespan
- 5-Year, limited warranty

Ordering Matrix

Family	Optics	Wattage	Mounting	Color Temp	Finish	Driver	Options
A22	-	5T	100		W	/480	/LCBS/MVS
	2T = Type II	70 = 70/60/50W	Blank = Universal Adjustable Pole Mount Blank = Universal Non-Adjustable Pole Mount	Blank = 3000/4000/5000K CCT Adjustable Y = 3000K	Blank = Bronze W = White B = Black	Blank = 120-277V, 0-10V Dimming /480 = 480V, 0-10V Dimming	Blank = 7-Pin Receptacle with Shorting Cap /MVS = 7-Pin Receptacle with Shorting Cap and Microwave Motion Sensor /LCBS = Lightcloud Blue w/PIR Sensor /LCBS/MVS = Lightcloud Blue w/MVS Sensor
	4T = Type IV	100 = 100/80/60W					