



Color: White

Weight: 11.2 lbs

<b>Project:</b>	<b>Type:</b>
<b>Prepared By:</b>	<b>Date:</b>

Driver Info		LED Info	
Type	Constant	Watts	100/80/60W
120V	N/A	Color Temp	3000K/4000K/5000K
208V	N/A	Color	80-84 CRI
240V	N/A	Accuracy	
277V	N/A	L70 Lifespan	100,000 Hours
Input Watts	61.7-99.8W	Lumens	9,232-14,745 lm
		Efficacy	133.7-160.9 lm/W

## Technical Specifications

### Field Adjustability

#### Field Adjustable:

Field Adjustable Light Output:  
100W/80W/60W (factory default: 100W)  
Color Temperature Selectable:  
3000K, 4000K and 5000K (factory default:4000K)

### Compliance

#### UL Listed:

Suitable for wet locations. Suitable for mounting within 4ft (1.2m) of the ground.

#### IESNA LM-79 & LM-80 Testing:

RAB LED luminaires and LED components have been tested by an independent laboratory in accordance with IESNA LM-79 and LM-80.

#### IP Rating:

Ingress protection rating of IP66 for dust and water

#### DLC Listed:

This product is listed by Design Lights Consortium (DLC) as an ultra-efficient premium product that qualifies for the highest tier of rebates from DLC Member Utilities. Designed to meet DLC 5.1 requirements.  
DLC Product Code: S-BBKSG

### Performance

#### Lifespan:

100,000-Hour LED lifespan based on IES LM-80 results and TM-21 calculations

#### Wattage Equivalency:

100W: Replaces up to 400W Metal Halide (MH) or 310W High Pressure Sodium (HPS)  
80W: Replaces up to 350W Metal Halide (MH) or 250W High Pressure Sodium (HPS)  
60W: Replaces up to 250W Metal Halide (MH) or 200W High Pressure Sodium (HPS)

### Electrical

#### Driver:

Constant Current, Class 1, 480V, 50/60 Hz:  
100W: 480V: 0.21A  
80W: 480V: 0.17A  
60W: 480V: 0.13A

#### Dimming Driver:

Driver includes dimming control wiring for 0-10V dimming systems. Requires separate 0-10V DC dimming circuit. Dims down to 10%.

#### THD:

13.72% at 480V

#### Power Factor:

93.4% at 120V, 0% at 277V

### 7-Pin Receptacle with Shorting Cap:

ANSI C136.41 7-pin receptacle, compatible with wireless control systems

### Surge Protection:

6kV

### Construction

#### IES Classification:

The Type V distribution produces light in a wide and uniform 360° pattern that is perfect for large outdoor areas such as parking lots, corporate parks and retail settings

### Cold Weather Starting:

The minimum starting temperature is -40°C (-40°F)

### Maximum Ambient Temperature:

Suitable for use in up to 40°C (104°F)

### Lens:

Polycarbonate lens

### Housing:

Die-cast aluminum

### Effective Projected Area:

1 Fixture: 0.3  
2 Fixtures: 0.7  
3 Fixtures: 1.2  
4 Fixtures: 1.2

## Technical Specifications (continued)

### Mounting:

Adjustable universal pole mount (standard).  
Slipfitter and wall mount accessory available.

### Finish:

Formulated for high durability and long-lasting color

### Gaskets:

High-temperature silicone gaskets

### Green Technology:

Mercury and UV free. RoHS-compliant components.

## LED Characteristics

---

### LEDs:

Long-life, high-efficacy, surface-mount LEDs

### Color Uniformity:

RAB's range of Correlated Color Temperature follows the guidelines of the American National Standard for Specifications for the Chromaticity of Solid State Lighting (SSL) Products, ANSI C78.377-2017.

## Optical

---

### BUG Rating:

Type 5  
100W: B3 U0 G2  
80W: B3 U0 G1  
60W: B2 U0 G1

## Other

---

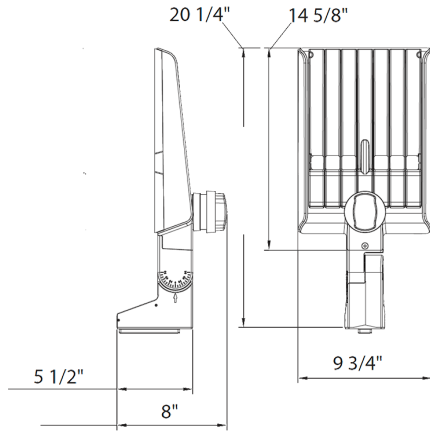
### 5 Yr Limited Warranty:

The RAB 5-year, limited warranty covers light output, driver performance and paint finish. RAB's warranty is subject to all terms and conditions found at [rablighting.com/warranty](http://rablighting.com/warranty).

### Buy American Act Compliance:

RAB values USA manufacturing! Upon request, RAB may be able to manufacture this product to be compliant with the Buy American Act (BAA). Please contact customer service to request a quote for the product to be made BAA compliant.

## Dimensions



## Features

- DLC Premium listed
- Adjustable Universal Pole Mount
- 7-Pin Receptacle with Shorting Cap
- IP66 Rated
- 100,000-Hour LED lifespan
- 5-Year, limited warranty

## Ordering Matrix

Family	Optics	Wattages	Mounting	Color Temp	Finish	Voltage	Options
A22	-	5T	100		W	/480	
	2T = Type II 4T = Type IV 5T = Type V Blank = Type III	70 = 70/60/50W 100 = 100/80/60W 150 = 150/120/100W 200 = 200/180/160W 320 = 320/280/250W	Blank = Universal Adjustable Pole Mount	Blank = 3000K/4000K/5000K CCT Adjustable	Blank = Bronze W = White B = Black	Blank = 120-277V, 0-10V Dimming /480 = 480V, 0-10V Dimming	Blank = 7-Pin Receptacle with Shorting Cap /MVS = 7-Pin Receptacle with Shorting Cap and Microwave Occupancy Sensor /LCBS = Lightcloud Blue Enabled w/PIR Sensor /LCBS/MVS = Lightcloud Blue Enabled w/MVS Sensor