



Color: Black

Weight: 11.2 lbs

**Project:**

**Type:**

**Prepared By:**

**Date:**

### Driver Info

Type	Constant
120V	N/A
208V	N/A
240V	N/A
277V	N/A
Input Watts	61.7-99.8W

### LED Info

Watts	100/80/60W
Color Temp	N/A
Color Accuracy	80-84 CRI
L70 Lifespan	100,000 Hours
Lumens	9,232-14,745 lm
Efficacy	133.7-160.9 lm/W

## Technical Specifications

### Field Adjustability

#### Field Adjustable:

Field Adjustable Light Output:  
100W/80W/60W (factory default: 100W)  
Color Temperature Selectable:  
3000K, 4000K and 5000K (factory default:4000K)

### Compliance

#### UL Listed:

Suitable for wet locations. Suitable for mounting within 4 ft (1.2m) of the ground.

#### IESNA LM-79 & LM-80 Testing:

RAB LED luminaires and LED components have been tested by an independent laboratory in accordance with IESNA LM-79 and LM-80.

#### IP Rating:

Ingress protection rating of IP66 for dust and water

#### DLC Listed:

This product family is listed with the DesignLights Consortium (DLC). Individual SKUs within this family may carry either a DLC Standard or DLC Premium qualification. Please refer to the individual product specification sheet or the DLC Qualified Products List (QPL) at [designlights.org](http://designlights.org) to confirm the qualification status of a specific SKU prior to specification or purchase.

### Performance

#### Lifespan:

100,000-Hour LED lifespan based on IESlm-80 results and TM-21 calculations

### Electrical

#### Driver:

Constant Current, Class 1, 480V, 50/60 Hz:  
100W: 480V: 0.21A  
80W: 480V: 0.17A  
60W: 480V: 0.13A

#### Dimming Driver:

Driver includes dimming control wiring for 0-10V dimming systems. Requires separate 0-10V DC dimming circuit. Dims down to 10%.

#### THD:

13.72% at 480V

#### Power Factor:

93.4% at 120V, 0% at 277V

#### 7-Pin Receptacle with Shorting Cap:

ANSI C136.41 7-pin receptacle, compatible with wireless control systems

#### Surge Protection:

6 kV

### Optical

#### IES Classification:

The Type V distribution produces light in a wide and uniform 360° pattern that is perfect for large outdoor areas such as parking lots, corporate parks and retail settings

#### BUG Rating:

Type 5  
100W: B3 U0 G2  
80W: B3 U0 G1  
60W: B2 U0 G1

### LED Characteristics

#### LEDs:

Long-life, high-efficacy, surface-mount LEDs

#### Color Uniformity:

RAB's range of Correlated Color Temperature follows the guidelines of the American National Standard for Specifications for the Chromaticity of Solid State Lighting (SSL) Products, ANSI C78.377-2017.

### Construction

#### Cold Weather Starting:

The minimum starting temperature is -40°F (-40°C)

#### Maximum Ambient Temperature:

Suitable for use in up to 104°F (40°C)



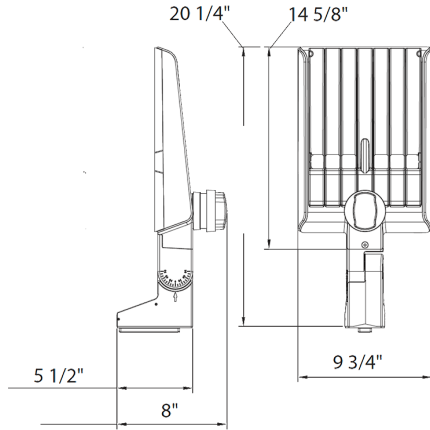
## Technical Specifications (continued)

<b>Lens:</b> Polycarbonate lens	<b>Range:</b> Indoor: Up to 60 feet between standard building materials. Building materials such as brick, concrete, and steel construction may require additional Lightcloud Blue devices to extend around an obstruction; Up to 200 feet clear line of sight.  Outdoor: Up to 60 feet clear line of sight; Up to 18 feet around corners	<b>Occupancy Timeout:</b> 1 minute to 240 minutes
<b>Housing:</b> Die-cast aluminum		<b>Daylight Sensing:</b> The sensor will determine to trigger the light(s) on or not based on the daylight threshold level set in the Lightcloud Blue mobile app.
<b>Effective Projected Area (EPA):</b> 1 Fixture: 0.3 2 Fixtures: 0.7 3 Fixtures: 1.2 4 Fixtures: 1.2	<b>Spacing Criteria:</b> Lightcloud Blue devices should be placed within the specified range to communicate within the Bluetooth Mesh network.	<b>Daylight Threshold:</b> 150 lux to 1500 lux
<b>Finish:</b> Formulated for high durability and long-lasting color		
<b>Gaskets:</b> High-temperature silicone gaskets	<b>Sensor Settings</b>	
<b>Green Technology:</b> Mercury and UV free. RoHS-compliant components.	<b>Sensor Connection Type:</b> Pogo pin	
<b>Other</b>	<b>Max Mounting Height:</b> 50 ft	
<b>5-Year Limited Warranty:</b> The RAB 5-year, limited warranty covers light output, driver performance and paint finish. RAB's warranty is subject to all terms and conditions found at <a href="http://rablighting.com/warranty">rablighting.com/warranty</a> .	<b>Detection Range:</b> 50 ft diameter mounted at 50 ft	
<b>Lightcloud</b>	<b>Sensor Technology:</b> Microwave (MVS)	
<b>Lightcloud Blue:</b> Lightcloud Blue is a Bluetooth Mesh wireless lighting control system that allows you to control RAB's various compatible devices. With RAB's patented Rapid Provisioning technology, devices can be quickly and easily commissioned for residential and large commercial applications using the Lightcloud Blue mobile app. Each device in a system can communicate with any other device, eliminating the need for a Gateway or Hub and maximizing the control system's reach.  DLC system - N1XMLOEATBA (Interior); NHCZ2BIA17L (Exterior)  Learn more at <a href="http://www.rablighting.com/feature/new-lightcloud-blue">www.rablighting.com/feature/new-lightcloud-blue</a> .	<b>Default Setting:</b> Uncommissioned State: Motion Sensitivity: High Brightness when triggered: 100% Hold time: 20 minutes Standby to dim: 20% Standby time: 1 minute When vacant: Off  Commissioned State: Once paired, the sensor will default to disabled. Once enabled the following settings apply: Motion Sensitivity: High Brightness when triggered: Last on status Hold time: 20 minutes Standby time: 1 minute When vacant: Off	
<b>Gateway Required:</b> No	<b>Adjustable Sensor Settings?:</b> Yes, using the Lightcloud Blue mobile app	
<b>Communication Protocol:</b> Bluetooth Mesh	<b>Sensing Type:</b> Occupancy or Vacancy (option to disable or set as an independent sensor)	
	<b>Occupied Actions:</b> On or On at a Dim Level	
	<b>Vacant Actions:</b> Off or On at a Dim Level	

# A22-5T100B/480/LCBS/MVS



## Dimensions



## Features

- DLC Premium listed
- Adjustable Universal Pole Mount
- 7-Pin Receptacle with Shorting Cap
- IP66 Rated
- 100,000-Hour LED lifespan
- 5-Year, limited warranty

## Ordering Matrix

Family	Optics	Wattage	Mounting	Color Temp	Finish	Driver	Options
A22	-	5T	100		B	/480	/LCBS/MVS
	2T = Type II	70 = 70/60/50W	Blank = Universal Adjustable Pole Mount Blank = Universal Non-Adjustable Pole Mount	Blank = 3000/4000/5000K CCT Adjustable Y = 3000K	Blank = Bronze W = White B = Black	Blank = 120-277V, 0-10V Dimming /480 = 480V, 0-10V Dimming	Blank = 7-Pin Receptacle with Shorting Cap /MVS = 7-Pin Receptacle with Shorting Cap and Microwave Motion Sensor /LCBS = Lightcloud Blue w/PIR Sensor /LCBS/MVS = Lightcloud Blue w/MVS Sensor
	4T = Type IV	100 = 100/80/60W					