



Color: Bronze

Weight: 11.2 lbs

**Project:**

**Type:**

**Prepared By:**

**Date:**

### Driver Info

Type	Constant
120V	0.83A/0.67A/0.50A
208V	0.48A/0.38A/0.25A
240V	0.42A/0.33A/0.25A
277V	0.72A/0.29A/0.22A
Input Watts	59.9-101W

### LED Info

Watts	100/80/60W
Color Temp	3000K/4000K/5000K
Color Accuracy	80-84 CRI
L70 Lifespan	100,000 Hours
Lumens	9,204-14,815 lm
Efficacy	132.8-164.7 lm/W

## Technical Specifications

### Field Adjustability

#### Field Adjustable:

Field Adjustable Light Output:  
100W/80W/60W (factory default: 100W)  
Color Temperature Selectable:  
3000K, 4000K and 5000K (factory default:4000K)

### Compliance

#### UL Listed:

Suitable for wet locations. Suitable for mounting within 4ft (1.2m) of the ground.

#### IESNA LM-79 & LM-80 Testing:

RAB LED luminaires and LED components have been tested by an independent laboratory in accordance with IESNA LM-79 and LM-80.

#### IP Rating:

Ingress protection rating of IP66 for dust and water

#### DLC Listed:

This product is listed by Design Lights Consortium (DLC) as an ultra-efficient premium product that qualifies for the highest tier of rebates from DLC Member Utilities. Designed to meet DLC 5.1 requirements.  
DLC Product Code: S-TPD4GC

### Performance

#### Lifespan:

100,000-Hour LED lifespan based on IES LM-80 results and TM-21 calculations

#### Wattage Equivalency:

100W: Replaces up to 400W Metal Halide (MH) or 310W High Pressure Sodium (HPS)  
80W: Replaces up to 350W Metal Halide (MH) or 250W High Pressure Sodium (HPS)  
60W: Replaces up to 250W Metal Halide (MH) or 200W High Pressure Sodium (HPS)

### Electrical

#### Driver:

Constant Current, Class 1, 120-277V, 50/60 Hz:  
100W: 120V: 0.83A, 208V: 0.48A, 240V: 0.42A, 277V: 0.36A  
80W: 120V: 0.67A, 208V: 0.38A, 240V:0.33A, 277V: 0.29A  
60W: 120V: 0.5A, 208V: 0.29A, 240V:0.25A, 277V: 0.22A

#### Dimming Driver:

Driver includes dimming control wiring for 0-10V dimming systems. Requires separate 0-10V DC dimming circuit. Dims down to 10%.

#### THD:

3.25% at 120V, 5.82% at 277V

### Power Factor:

99.7% at 120V, 94.5% at 277V

### 7-Pin Receptacle with Shorting Cap:

ANSI C136.41 7-pin receptacle, compatible with wireless control systems

### Surge Protection:

6kV

### Construction

#### IES Classification:

The Type V distribution produces light in a wide and uniform 360° pattern that is perfect for large outdoor areas such as parking lots, corporate parks and retail settings

#### Cold Weather Starting:

The minimum starting temperature is -40°C (-40°F)

#### Maximum Ambient Temperature:

Suitable for use in up to 40°C (104°F)

#### Lens:

Polycarbonate lens

#### Housing:

Die-cast aluminum

## Technical Specifications (continued)

### Effective Projected Area:

- 1 Fixture: 0.3
- 2 Fixtures: 0.7
- 3 Fixtures: 1.2
- 4 Fixtures: 1.2

### Mounting:

Adjustable universal pole mount (standard).  
Slipfitter and wall mount accessory available.

### Finish:

Formulated for high durability and long-lasting color

### Gaskets:

High-temperature silicone gaskets

### Green Technology:

Mercury and UV free. RoHS-compliant components.

## LED Characteristics

---

### LEDs:

Long-life, high-efficacy, surface-mount LEDs

### Color Uniformity:

RAB's range of Correlated Color Temperature follows the guidelines of the American National Standard for Specifications for the Chromaticity of Solid State Lighting (SSL) Products, ANSI C78.377-2017.

## Optical

---

### BUG Rating:

- Type 5
- 100W: B3 U0 G2
- 80W: B3 U0 G1
- 60W: B2 U0 G1

## Other

---

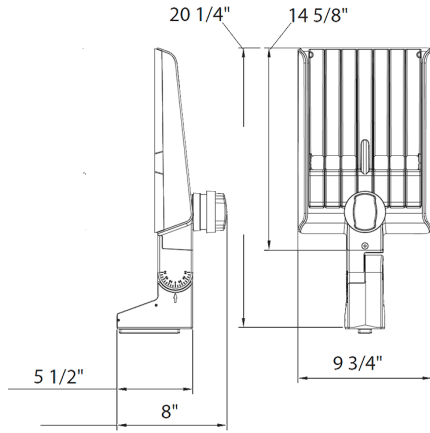
### 5 Yr Limited Warranty:

The RAB 5-year, limited warranty covers light output, driver performance and paint finish. RAB's warranty is subject to all terms and conditions found at [rablighting.com/warranty](http://rablighting.com/warranty).

### Buy American Act Compliance:

RAB values USA manufacturing! Upon request, RAB may be able to manufacture this product to be compliant with the Buy American Act (BAA). Please contact customer service to request a quote for the product to be made BAA compliant.

## Dimensions



## Features

- DLC Premium listed
- Adjustable Universal Pole Mount
- 7-Pin Receptacle with Shorting Cap
- IP66 Rated
- 100,000-Hour LED lifespan
- 5-Year, limited warranty

## Ordering Matrix

Family	Optics	Wattages	Mounting	Color Temp	Finish	Voltage	Options
A22	-	5T	100				
	<b>2T</b> = Type II <b>4T</b> = Type IV <b>5T</b> = Type V <b>Blank</b> = Type III	<b>70</b> = 70/60/50W <b>100</b> = 100/80/60W <b>150</b> = 150/120/100W <b>200</b> = 200/180/160W <b>320</b> = 320/280/250W	<b>Blank</b> = Universal Adjustable Pole Mount	<b>Blank</b> = 3000K/4000K/5000K CCT Adjustable	<b>Blank</b> = Bronze <b>W</b> = White <b>B</b> = Black	<b>Blank</b> = 120-277V, 0-10V Dimming <b>/480</b> = 480V, 0-10V Dimming	<b>Blank</b> = 7-Pin Receptacle with Shorting Cap <b>/MVS</b> = 7-Pin Receptacle with Shorting Cap and Microwave Occupancy Sensor <b>/LCBS</b> = Lightcloud Blue Enabled w/PIR Sensor <b>/LCBS/MVS</b> = Lightcloud Blue Enabled w/MVS Sensor