



Color: Bronze

Weight: 15.8 lbs

Project:

Type:

Prepared By:

Date:

### Driver Info

Type	Constant
120V	2.66A/2.33A/2.08A
208V	1.53A/1.34A/1.20A
240V	1.33A/1.16A/1.04A
277V	1.15A/1.01A/0.90A
Input Watts	245.-332.2W

### LED Info

Watts	320/280/250W
Color Temp	3000/4000/5000K
Color Accuracy	80-84 CRI
L70 Lifespan	100,000 Hours
Lumens	33,720-43,975 lm
Efficacy	123.1-150.2 lm/W

## Technical Specifications

### Field Adjustability

#### Field Adjustable:

Field Adjustable Light Output:  
320W/280W/250W (factory default: 320W)  
Color Temperature Selectable:  
3000K, 4000K and 5000K (factory default:4000K)

### Compliance

#### UL Listed:

Suitable for wet locations. Suitable for mounting within 4ft (1.2m) of the ground.

#### IESNA LM-79 & LM-80 Testing:

RAB LED luminaires and LED components have been tested by an independent laboratory in accordance with IESNA LM-79 and LM-80.

#### IP Rating:

Ingress protection rating of IP66 for dust and water

#### Trade Agreements Act Compliant:

This product is a product of Cambodia and a "designated country" end product that complies with the Trade Agreements Act

#### DLC Listed:

This product is listed by Design Lights Consortium (DLC) as an ultra-efficient premium product that qualifies for the highest tier of rebates from DLC Member Utilities. Designed to meet DLC 5.1 requirements.  
DLC Product Code: S-D7RG52

### Performance

#### Lifespan:

100,000-Hour LED lifespan based on IES LM-80 results and TM-21 calculations

#### Wattage Equivalency:

320W: Replaces up to 1,000W Metal Halide (MH) or 750W High Pressure Sodium (HPS)  
280W: Replaces up to 1,000W Metal Halide (MH) or 600W High Pressure Sodium (HPS)  
250W: Replaces up to 750W Metal Halide (MH) or 600W High Pressure Sodium (HPS)

### Electrical

#### Driver:

Constant Current, Class 1, 120-277V, 50/60 Hz:  
320W: 120V: 2.66A, 208V: 1.53A, 240V: 1.33A, 277V: 1.15A  
280W: 120V: 2.33A, 208V: 1.34A, 240V: 1.16A, 277V: 1.01A  
250W: 120V: 2.08A, 208V: 1.2A, 240V: 1.04A, 277V: 0.9A

#### Dimming Driver:

Driver includes dimming control wiring for 0-10V dimming systems. Requires separate 0-10V DC dimming circuit. Dims down to 10%.

#### THD:

4.23% at 120V, 6.84% at 277V

### Power Factor:

99.9% at 120V, 97.8% at 277V

### 7-Pin Receptacle with Shorting Cap:

ANSI C136.41 7-pin receptacle, compatible with wireless control systems

### Surge Protection:

6kV

### Construction

#### IES Classification:

The Type IV distribution (also known as a Forward Throw) is especially suited for mounting on the sides of buildings and walls, and for illuminating the perimeter of parking areas. It produces a semicircular distribution with essentially the same candlepower at lateral angles from 90° to 270°.

#### Cold Weather Starting:

The minimum starting temperature is -40°C (-40°F)

#### Maximum Ambient Temperature:

Suitable for use in up to 40°C (104°F)

#### Lens:

Polycarbonate lens

## Technical Specifications (continued)

### Housing:

Die-cast aluminum

### Effective Projected Area:

- 1 Fixture: 0.4
- 2 Fixtures: 0.8
- 3 Fixtures: 1.6
- 4 Fixtures: 1.6

### Finish:

Formulated for high durability and long-lasting color

### Gaskets:

High-temperature silicone gaskets

### Green Technology:

Mercury and UV free. RoHS-compliant components.

### LED Characteristics

#### LEDs:

Long-life, high-efficacy, surface-mount LEDs

#### Color Uniformity:

RAB's range of Correlated Color Temperature follows the guidelines of the American National Standard for Specifications for the Chromaticity of Solid State Lighting (SSL) Products, ANSI C78.377-2017.

### Installation

#### Mounting:

Adjustable universal pole mount (standard). Slipfitter and wall mount accessory available.

### Optical

#### BUG Rating:

- Type 4
- 320W: B4 U0 G4
- 280W: B4 U0 G4
- 250W: B4 U0 G4

### Other

#### 5 Yr Limited Warranty:

The RAB 5-year, limited warranty covers light output, driver performance and paint finish. RAB's warranty is subject to all terms and conditions found at [rablighting.com/warranty](http://rablighting.com/warranty).

#### Buy American Act Compliance:

RAB values USA manufacturing! Upon request, RAB may be able to manufacture this product to be compliant with the Buy American Act (BAA). Please contact customer service to request a quote for the product to be made BAA compliant.

### Lightcloud

#### Lightcloud Blue:

Lightcloud Blue is a Bluetooth Mesh wireless lighting control system that allows you to control RAB's various compatible devices. With RAB's patented Rapid Provisioning technology, devices can be quickly and easily commissioned for residential and large commercial applications using the Lightcloud Blue mobile app. Each device in a system can communicate with any other device, eliminating the need for a Gateway or Hub and maximizing the control system's reach.

DLC system - N1XMLOEATBA (Interior);  
NHCZ2BIA17L (Exterior)

Learn more at [www.lightcloud.com](http://www.lightcloud.com).

#### Gateway Required:

No

#### Communication Protocol:

Bluetooth Mesh

#### Range:

Indoor: Up to 60 feet between standard building materials. Building materials such as brick, concrete, and steel construction may require additional Lightcloud Blue devices to extend around an obstruction; Up to 200 feet clear line of sight.

Outdoor: Up to 60 feet clear line of sight; Up to 18 feet around corners

#### Spacing Criteria:

Lightcloud Blue devices should be placed within the specified range to communicate within the Bluetooth Mesh network.

### Sensor Settings

#### Sensor Connection Type:

Pogo pin

#### Max Mounting Height:

50 ft

#### Detection Range:

50 ft diameter mounted at 50 ft

#### Sensor Technology:

Microwave (MVS)

### Default Setting:

Uncommissioned State:  
Motion Sensitivity: High  
Brightness when triggered: 100%  
Hold time: 20 minutes  
Standby to dim: 20%  
Standby time: 1 minute  
When vacant: Off

Commissioned State:  
Once paired, the sensor will default to disabled.  
Once enabled the following settings apply:  
Motion Sensitivity: High  
Brightness when triggered: Last on status  
Hold time: 20 minutes  
Standby time: 1 minute  
When vacant: Off

#### Adjustable Sensor Settings?:

Yes, using the Lightcloud Blue mobile app

#### Sensing Type:

Occupancy or Vacancy (option to disable or set as an independent sensor)

#### Occupied Actions:

On or On at a Dim Level

#### Vacant Actions:

Off or On at a Dim Level

#### Occupancy Timeout:

1 minute to 240 minutes

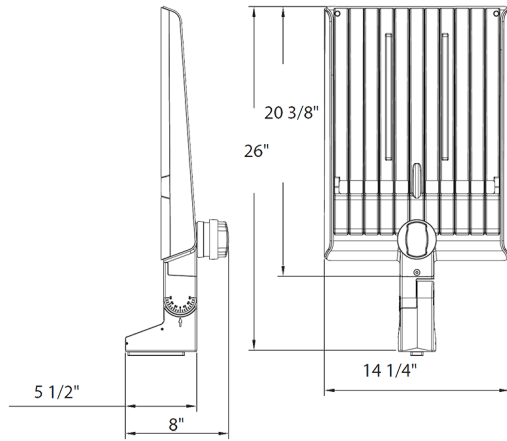
#### Daylight Sensing:

The sensor will determine to trigger the light(s) on or not based on the daylight threshold level set in the Lightcloud Blue mobile app.

#### Daylight Threshold:

150 lux to 1500 lux

## Dimensions



## Features

- DLC Premium listed
- Adjustable Universal Pole Mount
- 7-Pin Receptacle with Shorting Cap
- IP66 Rated
- 100,000-Hour LED lifespan
- 5-Year, limited warranty

## Ordering Matrix

Family	Optics	Wattage	Mounting	Color Temp	Finish	Driver	Options
A22	-	4T	320				/LCBS/MVS
	2T = Type II 4T = Type IV 5T = Type V Blank = Type III	70 = 70/60/50W 100 = 100/80/60W 150 = 150/120/100W 200 = 200/180/160W 320 = 320/280/250W	Blank = Universal Adjustable Pole Mount Blank = Universal Non-Adjustable Pole Mount	Blank = 3000/4000/5000K CCT Adjustable Y = 3000K	Blank = Bronze W = White B = Black	Blank = 120-277V, 0-10V Dimming /480 = 480V, 0-10V Dimming	Blank = 7-Pin Receptacle with Shorting Cap /MVS = 7-Pin Receptacle with Shorting Cap and Microwave Motion Sensor /LCBS = Lightcloud Blue w/PIR Sensor /LCBS/MVS = Lightcloud Blue w/MVS Sensor