

A22-4T100W/LCBS



| | |
|---------------------|--------------|
| Project: | Type: |
| Prepared By: | Date: |

| Driver Info | | LED Info | |
|-------------|-------------------|----------------|-----------------|
| Type | Constant | Watts | 100/80/60W |
| 120V | 0.83A/0.67A/0.50A | Color Temp | N/A |
| 208V | 0.48A/0.38A/0.25A | Color Accuracy | 80-84 CRI |
| 240V | 0.42A/0.33A/0.25A | L70 Lifespan | 100,000 Hours |
| 277V | 0.72A/0.29A/0.22A | Lumens | 8,938-14,368 lm |
| Input Watts | 59.9-101W | Efficacy | 128.9-160 lm/W |

Technical Specifications

Field Adjustability

Field Adjustable:

Field Adjustable Light Output:
100W/80W/60W (factory default: 100W)
Color Temperature Selectable:
3000K, 4000K and 5000K (factory default:4000K)

Compliance

UL Listed:

Suitable for wet locations. Suitable for mounting within 4 ft (1.2m) of the ground.

IESNA LM-79 & LM-80 Testing:

RAB LED luminaires and LED components have been tested by an independent laboratory in accordance with IESNA LM-79 and LM-80.

IP Rating:

Ingress protection rating of IP66 for dust and water

DLC Listed:

This product family is listed with the DesignLights Consortium (DLC). Individual SKUs within this family may carry either a DLC Standard or DLC Premium qualification. Please refer to the individual product specification sheet or the DLC Qualified Products List (QPL) at designlights.org to confirm the qualification status of a specific SKU prior to specification or purchase.

Performance

Lifespan:

100,000-Hour LED lifespan based on IESIm-80 results and TM-21 calculations

Electrical

Driver:

Constant Current, Class 1, 120-277V, 50/60 Hz:
100W: 120V: 0.83A, 208V: 0.48A, 240V: 0.42A, 277V: 0.36A
80W: 120V: 0.67A, 208V: 0.38A, 240V:0.33A, 277V: 0.29A
60W: 120V: 0.5A, 208V: 0.29A, 240V:0.25A, 277V: 0.22A

Dimming Driver:

Driver includes dimming control wiring for 0-10V dimming systems. Requires separate 0-10V DC dimming circuit. Dims down to 10%.

THD:

3.25% at 120V, 5.82% at 277V

Power Factor:

99.7% at 120V, 94.5% at 277V

7-Pin Receptacle with Shorting Cap:

ANSI C136.41 7-pin receptacle, compatible with wireless control systems

Surge Protection:

6 kV

Optical

IES Classification:

The Type IV distribution (also known as a Forward Throw) is especially suited for mounting on the sides of buildings and walls, and for illuminating the perimeter of parking areas. It produces a semicircular distribution with essentially the same candlepower at lateral angles from 90° to 270°.

BUG Rating:

Type 4
100W: B2 U0 G2
80W: B2 U0 G2
60W: B2 U0 G2

LED Characteristics

LEDs:

Long-life, high-efficacy, surface-mount LEDs

Color Uniformity:

RAB's range of Correlated Color Temperature follows the guidelines of the American National Standard for Specifications for the Chromaticity of Solid State Lighting (SSL) Products, ANSI C78.377-2017.



Technical Specifications (continued)

Construction

Cold Weather Starting:

The minimum starting temperature is -40°F (-40°C)

Maximum Ambient Temperature:

Suitable for use in up to 104°F (40°C)

Lens:

Polycarbonate lens

Housing:

Die-cast aluminum

Effective Projected Area (EPA):

- 1 Fixture: 0.3
- 2 Fixtures: 0.7
- 3 Fixtures: 1.2
- 4 Fixtures: 1.2

Finish:

Formulated for high durability and long-lasting color

Gaskets:

High-temperature silicone gaskets

Green Technology:

Mercury and UV free. RoHS-compliant components.

Other

5-Year Limited Warranty:

The RAB 5-year, limited warranty covers light output, driver performance and paint finish. RAB's warranty is subject to all terms and conditions found at rablighting.com/warranty.

Lightcloud

Lightcloud Blue:

Lightcloud Blue is a Bluetooth Mesh wireless lighting control system that allows you to control RAB's various compatible devices. With RAB's patented Rapid Provisioning technology, devices can be quickly and easily commissioned for residential and large commercial applications using the Lightcloud Blue mobile app. Each device in a system can communicate with any other device, eliminating the need for a Gateway or Hub and maximizing the control system's reach.

DLC system - N1XMLOEATBA (Interior);
NHCZ2BIA17L (Exterior)

Learn more at
www.rablighting.com/feature/new-lightcloud-blue.

Gateway Required:

No

Communication Protocol:

Bluetooth Mesh

Range:

Indoor: Up to 60 feet between standard building materials. Building materials such as brick, concrete, and steel construction may require additional Lightcloud Blue devices to extend around an obstruction; Up to 200 feet clear line of sight.

Outdoor: Up to 60 feet clear line of sight; Up to 18 feet around corners

Spacing Criteria:

Lightcloud Blue devices should be placed within the specified range to communicate within the Bluetooth Mesh network.

Factory Reset:

Method 1: Delete from App

Open the app and access the device settings for the paired device. Be sure that the device is online and select 'Delete from Site'. The device will flash on/off 5 times and return to full brightness.

Method 2: Manual

Power the device off and on 5x consecutively. Do not allow less than 4s to elapse from switching off to on. Do not allow more than 2s to elapse from switching on to off. The device will flash 3x, then reset to 100% brightness at default CCT.

Method 3: Rapid Reset Tool

The Rapid Reset process must be done by a professional electrician qualified by RAB. Reach out to your RAB sales manager to request a Rapid Reset Tool. The tool simply needs to be placed directly on the small Lightcloud Blue logo on the device for 2s or until the lamp/luminaire flashes 3x, then resets to 100% brightness at the default CCT.

Sensor Settings

Sensor Connection Type:

Pogo pin

Max Mounting Height:

40 ft

Detection Range:

40 ft diameter mounted at 40 ft

Sensor Technology:

Passive Infrared (PIR)

Default Setting:

Uncommissioned State:
Motion Sensitivity: High
Brightness when triggered: 100%
Hold time: 20 minutes
Standby to dim: 20%
Standby time: 1 minute
When vacant: Off

Commissioned State:

Once paired, the sensor will default to disabled. Once enabled the following settings apply:
Motion Sensitivity: High
Brightness when triggered: Last on status
Hold time: 20 minutes
Standby time: 1 minute
When vacant: Off

Adjustable Sensor Settings?:

Yes, using the Lightcloud Blue mobile app

Sensing Type:

Occupancy or Vacancy (option to disable or set as an independent sensor)

Occupied Actions:

On or On at a Dim Level

Vacant Actions:

Off or On at a Dim Level

Occupancy Timeout:

1 minute to 240 minutes

Daylight Sensing:

The sensor will determine to trigger the light(s) on or not based on the daylight threshold level set in the Lightcloud Blue mobile app.

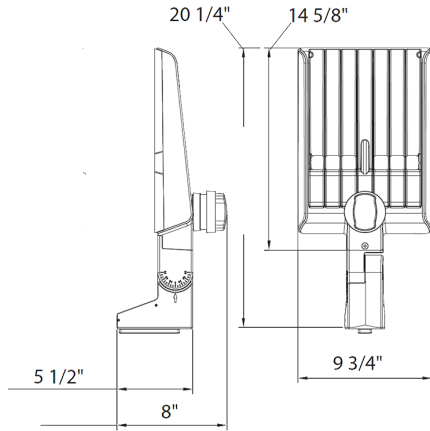
Daylight Threshold:

150 lux to 1500 lux

A22-4T100W/LCBS



Dimensions



Features

- DLC Premium listed
- Adjustable Universal Pole Mount
- 7-Pin Receptacle with Shorting Cap
- IP66 Rated
- 100,000-Hour LED lifespan
- 5-Year, limited warranty

Ordering Matrix

| Family | Optics | Wattage | Mounting | Color Temp | Finish | Driver | Options |
|--------|---|--|--|---|--|---|--|
| A22 | - | 4T | 100 | | W | | /LCBS |
| | 2T = Type II 4T = Type IV 5T = Type V Blank = Type III | 70 = 70/60/50W 100 = 100/80/60W 150 = 150/120/100W 200 = 200/180/160W 320 = 320/280/250W | Blank = Universal Adjustable Pole Mount Blank = Universal Non-Adjustable Pole Mount | Blank = 3000/4000/5000K CCT Adjustable Y = 3000K | Blank = Bronze W = White B = Black | Blank = 120-277V, 0-10V Dimming /480 = 480V, 0-10V Dimming | Blank = 7-Pin Receptacle with Shorting Cap /MVS = 7-Pin Receptacle with Shorting Cap and Microwave Motion Sensor w/PIR Sensor /LCBS/MVS = Lightcloud Blue w/MVS Sensor |