



Color: Bronze

Weight: 15.8 lbs

Project:

Type:

Prepared By:

Date:

Driver Info

Type	Constant
120V	2.66A/2.33A/2.08A
208V	1.53A/1.34A/1.20A
240V	1.33A/1.16A/1.04A
277V	1.15A/1.01A/0.90A
Input Watts	245.5-323.1W

LED Info

Watts	320/280/250W
Color Temp	3000K/4000K/5000K
Color Accuracy	80-84 CRI
L70 Lifespan	100,000 Hours
Lumens	35,143-45,763 lm
Efficacy	127.7-156.6 lm/W

Technical Specifications

Field Adjustability

Field Adjustable:

Field Adjustable Light Output:
320W/280W/250W (factory default: 320W)
Color Temperature Selectable:
3000K, 4000K and 5000K (factory default:4000K)

Compliance

UL Listed:

Suitable for wet locations. Suitable for mounting within 4ft (1.2m) of the ground.

IESNA LM-79 & LM-80 Testing:

RAB LED luminaires and LED components have been tested by an independent laboratory in accordance with IESNA LM-79 and LM-80.

IP Rating:

Ingress protection rating of IP66 for dust and water

DLC Listed:

This product is listed by Design Lights Consortium (DLC) as an ultra-efficient premium product that qualifies for the highest tier of rebates from DLC Member Utilities. Designed to meet DLC 5.1 requirements.
DLC Product Code: S-JLYTBC

Performance

Lifespan:

100,000-Hour LED lifespan based on IES LM-80 results and TM-21 calculations

Wattage Equivalency:

320W: Replaces up to 1,000W Metal Halide (MH) or 750W High Pressure Sodium (HPS)
280W: Replaces up to 1,000W Metal Halide (MH) or 600W High Pressure Sodium (HPS)
250W: Replaces up to 750W Metal Halide (MH) or 600W High Pressure Sodium (HPS)

Electrical

Driver:

Constant Current, Class 1, 120-277V, 50/60 Hz:
320W: 120V: 2.66A, 208V: 1.53A, 240V: 1.33A, 277V: 1.15A
280W: 120V: 2.33A, 208V: 1.34A, 240V: 1.16A, 277V: 1.01A
250W: 120V: 2.08A, 208V: 1.2A, 240V: 1.04A, 277V: 0.9A

Dimming Driver:

Driver includes dimming control wiring for 0-10V dimming systems. Requires separate 0-10V DC dimming circuit. Dims down to 10%.

THD:

4.06% at 120V, 6.63% at 277V

Power Factor:

99.9% at 120V, 97.8% at 277V

7-Pin Receptacle with Shorting Cap:

ANSI C136.41 7-pin receptacle, compatible with wireless control systems

Surge Protection:

6kV

Construction

IES Classification:

The Type II distribution is ideal for wide walkways, on ramps and entrance roadways, bike paths and other long and narrow lighting applications. This type is meant for lighting larger areas and usually is located near the roadside. This type of lighting is commonly found on smaller side streets or jogging paths.

Cold Weather Starting:

The minimum starting temperature is -40°C (-40°F)

Maximum Ambient Temperature:

Suitable for use in up to 40°C (104°F)

Lens:

Polycarbonate lens

Technical Specifications (continued)**Housing:**

Die-cast aluminum

Effective Projected Area:

1 Fixture: 0.4
 2 Fixtures: 0.8
 3 Fixtures: 1.6
 4 Fixtures: 1.6

Mounting:

Adjustable universal pole mount (standard).
 Slipfitter and wall mount accessory available.

Finish:

Formulated for high durability and long-lasting color

Gaskets:

High-temperature silicone gaskets

Green Technology:

Mercury and UV free. RoHS-compliant components.

LED Characteristics**LEDs:**

Long-life, high-efficacy, surface-mount LEDs

Color Uniformity:

RAB's range of Correlated Color Temperature follows the guidelines of the American National Standard for Specifications for the Chromaticity of Solid State Lighting (SSL) Products, ANSI C78.377-2017.

Optical**BUG Rating:**

Type 2
 320W: B4 U0 G4
 280W: B4 U0 G3
 250W: B4 U0 G3

Sensor Specifications**Voltage Input:**

12V DC Input, IC Solution

Operating Voltage:

10-15V

Control:

On/Off control

Detection Area:

25%/50%/75%/100% (Factory Setting: 100%)

Microwave Frequency:

5.8GHz +/- 75MHz

Hold Time:

5 sec/30 sec/1 min/10 min/20 min/30 min (Factory Setting: 5 sec)

Microwave Power:

<0.3mW

Switching Capacity:

<40mA

Daylight Threshold:

2Lux/10Lux/30Lux/50Lux/80Lux/120Lux/Disable (Factory Setting: Disable)

Mounting Height:

2.5 - 4.5 m/8.2 - 14.76 ft

Operating Current:

<30mA

Stand-by Period:

0 sec/10 sec/30 sec/1 min/5 min/10 min/+∞ (Factory Setting: 0 sec)

Detection Range:

9.84 - 22.96 ft (3 - 7 m)

Control Method:

0-10V

Stand-by Dimming Level:

10%/20%/30%/50% (Factory Setting: 10%)

Detection Angle:

360° (ceiling mounted)

Operating Temperature:

-35°C to +70°C (-31°F to + 158°F)

Remote Control:

Adjust settings using remote control (catalog# MSR1). Only available with 0-10V dimming driver options. [Remote control available here.](#)

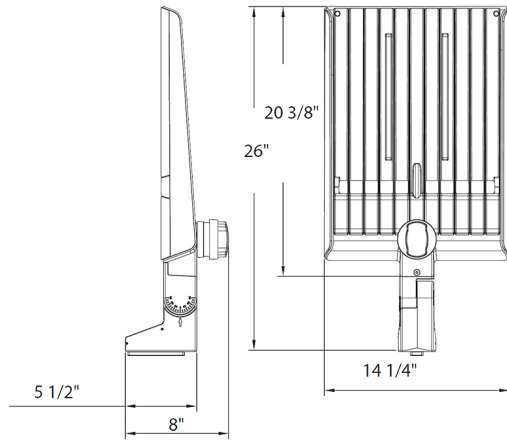
Other**5 Yr Limited Warranty:**

The RAB 5-year, limited warranty covers light output, driver performance and paint finish. RAB's warranty is subject to all terms and conditions found at rablighting.com/warranty.

Buy American Act Compliance:

RAB values USA manufacturing! Upon request, RAB may be able to manufacture this product to be compliant with the Buy American Act (BAA). Please contact customer service to request a quote for the product to be made BAA compliant.

Dimensions



Features

- DLC Premium listed
- Adjustable Universal Pole Mount
- 7-Pin Receptacle with Shorting Cap
- IP66 Rated
- 100,000-Hour LED lifespan
- 5-Year, limited warranty

Ordering Matrix

Family	Optics	Wattages	Mounting	Color Temp	Finish	Voltage	Options
A22	-	2T	320				/MVS
	2T = Type II 4T = Type IV 5T = Type V Blank = Type III	70 = 70/60/50W 100 = 100/80/60W 150 = 150/120/100W 200 = 200/180/160W 320 = 320/280/250W	Blank = Universal Adjustable Pole Mount	Blank = 3000K/4000K/5000K CCT Adjustable	Blank = Bronze W = White B = Black	Blank = 120-277V, 0-10V Dimming /480 = 480V, 0-10V Dimming	Blank = 7-Pin Receptacle with Shorting Cap /MVS = 7-Pin Receptacle with Shorting Cap and Microwave Occupancy Sensor /LCBS = Lightcloud Blue Enabled w/PIR Sensor /LCBS/MVS = Lightcloud Blue Enabled w/MVS Sensor