



Color: Black

Weight: 13.0 lbs

<b>Project:</b>	<b>Type:</b>
<b>Prepared By:</b>	<b>Date:</b>

Driver Info		LED Info	
Type	Constant	Watts	200/180/160W
120V	N/A	Color Temp	N/A
208V	N/A	Color Accuracy	80-84 CRI
240V	N/A	L70 Lifespan	100,000 Hours
277V	N/A	Lumens	22,704-28,908 lm
Input Watts	160.8-200.8W	Efficacy	129.4-155.9 lm/W

## Technical Specifications

### Field Adjustability

#### Field Adjustable:

Field Adjustable Light Output:  
200W/180W/160W (factory default: 200W)  
Color Temperature Selectable:  
3000K, 4000K and 5000K (factory default:4000K)

### Compliance

#### UL Listed:

Suitable for wet locations. Suitable for mounting within 4 ft (1.2m) of the ground.

#### IESNA LM-79 & LM-80 Testing:

RAB LED luminaires and LED components have been tested by an independent laboratory in accordance with IESNA LM-79 and LM-80.

#### IP Rating:

Ingress protection rating of IP66 for dust and water

#### DLC Listed:

This product family is listed with the DesignLights Consortium (DLC). Individual SKUs within this family may carry either a DLC Standard or DLC Premium qualification. Please refer to the individual product specification sheet or the DLC Qualified Products List (QPL) at [designlights.org](http://designlights.org) to confirm the qualification status of a specific SKU prior to specification or purchase.

### Performance

#### Lifespan:

100,000-Hour LED lifespan based on IESlm-80 results and TM-21 calculations

### Electrical

#### Driver:

Constant Current, Class 1, 480V, 50/60 Hz:  
200W: 480V: 0.42A  
180W: 480V: 0.38A  
100W: 480V: 0.33A

#### Dimming Driver:

Driver includes dimming control wiring for 0-10V dimming systems. Requires separate 0-10V DC dimming circuit. Dims down to 10%.

#### THD:

11.82% at 480V

#### Power Factor:

94% at 480V

#### 7-Pin Receptacle with Shorting Cap:

ANSI C136.41 7-pin receptacle, compatible with wireless control systems

#### Surge Protection:

6 kV

### Optical

#### IES Classification:

The Type II distribution is ideal for wide walkways, on ramps and entrance roadways, bike paths and other long and narrow lighting applications. This type is meant for lighting larger areas and usually is located near the roadside. This type of lighting is commonly found on smaller side streets or jogging paths.

#### BUG Rating:

Type 2  
200W: B3 U0 G3  
180W: B3 U0 G3  
160W: B3 U0 G3

### LED Characteristics

#### LEDs:

Long-life, high-efficacy, surface-mount LEDs

#### Color Uniformity:

RAB's range of Correlated Color Temperature follows the guidelines of the American National Standard for Specifications for the Chromaticity of Solid State Lighting (SSL) Products, ANSI C78.377-2017.

### Construction

#### Cold Weather Starting:

The minimum starting temperature is -40°F (-40°C)



## Technical Specifications (continued)

### Maximum Ambient Temperature:

Suitable for use in up to 104°F (40°C)

### Lens:

Polycarbonate lens

### Housing:

Die-cast aluminum

### Effective Projected Area (EPA):

1 Fixture: 0.3

2 Fixtures: 0.7

3 Fixtures: 1.2

4 Fixtures: 1.2

### Finish:

Formulated for high durability and long-lasting color

### Gaskets:

High-temperature silicone gaskets

### Green Technology:

Mercury and UV free. RoHS-compliant components.

### Other

#### 5-Year Limited Warranty:

The RAB 5-year, limited warranty covers light output, driver performance and paint finish. RAB's warranty is subject to all terms and conditions found at [rablighting.com/warranty](http://rablighting.com/warranty).

### Lightcloud

#### Lightcloud Blue:

Lightcloud Blue is a Bluetooth Mesh wireless lighting control system that allows you to control RAB's various compatible devices. With RAB's patented Rapid Provisioning technology, devices can be quickly and easily commissioned for residential and large commercial applications using the Lightcloud Blue mobile app. Each device in a system can communicate with any other device, eliminating the need for a Gateway or Hub and maximizing the control system's reach.

DLC system - N1XMLOEATBA (Interior);  
NHCZ2BIA17L (Exterior)

Learn more at  
[www.rablighting.com/feature/new-lightcloud-blue](http://www.rablighting.com/feature/new-lightcloud-blue).

#### Gateway Required:

No

#### Communication Protocol:

Bluetooth Mesh

### Range:

Indoor: Up to 60 feet between standard building materials. Building materials such as brick, concrete, and steel construction may require additional Lightcloud Blue devices to extend around an obstruction; Up to 200 feet clear line of sight.

Outdoor: Up to 60 feet clear line of sight; Up to 18 feet around corners

### Spacing Criteria:

Lightcloud Blue devices should be placed within the specified range to communicate within the Bluetooth Mesh network.

### Sensor Settings

#### Sensor Connection Type:

Pogo pin

#### Max Mounting Height:

50 ft

#### Detection Range:

50 ft diameter mounted at 50 ft

#### Sensor Technology:

Microwave (MVS)

#### Default Setting:

Uncommissioned State:  
Motion Sensitivity: High  
Brightness when triggered: 100%  
Hold time: 20 minutes  
Standby to dim: 20%  
Standby time: 1 minute  
When vacant: Off

#### Commissioned State:

Once paired, the sensor will default to disabled.  
Once enabled the following settings apply:  
Motion Sensitivity: High  
Brightness when triggered: Last on status  
Hold time: 20 minutes  
Standby time: 1 minute  
When vacant: Off

#### Adjustable Sensor Settings?:

Yes, using the Lightcloud Blue mobile app

#### Sensing Type:

Occupancy or Vacancy (option to disable or set as an independent sensor)

#### Occupied Actions:

On or On at a Dim Level

#### Vacant Actions:

Off or On at a Dim Level

### Occupancy Timeout:

1 minute to 240 minutes

### Daylight Sensing:

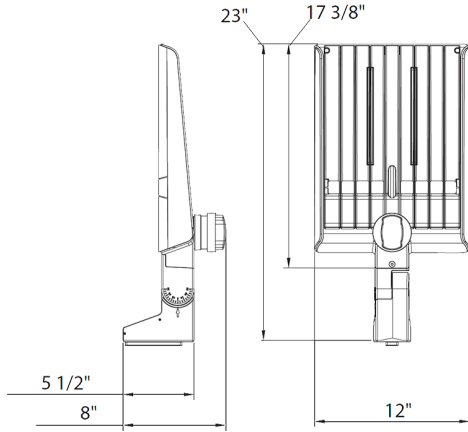
The sensor will determine to trigger the light(s) on or not based on the daylight threshold level set in the Lightcloud Blue mobile app.

### Daylight Threshold:

150 lux to 1500 lux



## Dimensions



## Features

- DLC Premium listed
- Adjustable Universal Pole Mount
- 7-Pin Receptacle with Shorting Cap
- IP66 Rated
- 100,000-Hour LED lifespan
- 5-Year, limited warranty

## Ordering Matrix

Family	Optics	Wattage	Mounting	Color Temp	Finish	Driver	Options
A22	-	2T	200		B	/480	/LCBS/MVS
	2T = Type II	70 = 70/60/50W 100 = 100/80/60W	Blank = Universal Adjustable Pole Mount	Blank = 3000/4000/5000K CCT Adjustable	Blank = Bronze W = White B = Black	Blank = 120-277V, 0-10V Dimming /480 = 480V, 0-10V Dimming	Blank = 7-Pin Receptacle with Shorting Cap /MVS = 7-Pin Receptacle with Shorting Cap and Microwave Motion Sensor /LCBS = Lightcloud Blue w/PIR Sensor /LCBS/MVS = Lightcloud Blue w/MVS Sensor
	4T = Type IV	150 = 150/120/100W	Blank = Universal Non-Adjustable Pole Mount	Y = 3000K			
	5T = Type V	200 = 200/180/160W					
	Blank = Type III	320 = 320/280/250W					