



Color: Bronze

Weight: 13.0 lbs

<b>Project:</b>	<b>Type:</b>
<b>Prepared By:</b>	<b>Date:</b>

Driver Info		LED Info	
Type	Constant	Watts	150/120/100W
120V	1.25A/1.00A/0.83A	Color Temp	3000K/4000K/5000K
208V	0.72A/0.58A/0.48A	Color Accuracy	80-84 CRI
240V	0.63A/0.50A/0.83A	L70 Lifespan	100,000 Hours
277V	0.54A/0.43A/0.36A	Lumens	15,219-22,428 lm
Input Watts	99.4-151.4W	Efficacy	165.5

## Technical Specifications

### Field Adjustability

#### Field Adjustable:

Field Adjustable Light Output:  
150W/120W/100W (factory default: 150W)  
Color Temperature Selectable:  
3000K, 4000K and 5000K (factory default:4000K)

### Compliance

#### UL Listed:

Suitable for wet locations. Suitable for mounting within 4ft (1.2m) of the ground.

#### IESNA LM-79 & LM-80 Testing:

RAB LED luminaires and LED components have been tested by an independent laboratory in accordance with IESNA LM-79 and LM-80.

#### IP Rating:

Ingress protection rating of IP66 for dust and water

#### DLC Listed:

This product is listed by Design Lights Consortium (DLC) as an ultra-efficient premium product that qualifies for the highest tier of rebates from DLC Member Utilities. Designed to meet DLC 5.1 requirements.  
DLC Product Code: S-XX1NLC

### Performance

#### Lifespan:

100,000-Hour LED lifespan based on IES LM-80 results and TM-21 calculations

#### Wattage Equivalency:

150W: Replaces up to 400W Metal Halide (MH) or 400W High Pressure Sodium (HPS)  
120W: Replaces up to 400W Metal Halide (MH) or 310W High Pressure Sodium (HPS)  
100W: Replaces up to 400W Metal Halide (MH) or 310W High Pressure Sodium (HPS)

### Electrical

#### Driver:

Constant Current, Class 1, 120-277V, 50/60 Hz:  
150W: 120V: 1.25A, 208V: 0.72A, 240V: 0.63A, 277V: 0.54A  
120W: 120V: 1.0A, 208V: 0.58A, 240V: 0.5A, 277V: 0.43A  
100W: 120V: 0.83A, 208V: 0.48A, 240V: 0.42A, 277V: 0.36A

#### Dimming Driver:

Driver includes dimming control wiring for 0-10V dimming systems. Requires separate 0-10V DC dimming circuit. Dims down to 10%.

#### THD:

4.02% at 120V, 6.33% at 277V

### Power Factor:

99.8% at 120V, 96.3% at 277V

### 7-Pin Receptacle with Shorting Cap:

ANSI C136.41 7-pin receptacle, compatible with wireless control systems

### Surge Protection:

6kV

### Construction

#### IES Classification:

The Type II distribution is ideal for wide walkways, on ramps and entrance roadways, bike paths and other long and narrow lighting applications. This type is meant for lighting larger areas and usually is located near the roadside. This type of lighting is commonly found on smaller side streets or jogging paths.

#### Cold Weather Starting:

The minimum starting temperature is -40°C (-40°F)

#### Maximum Ambient Temperature:

Suitable for use in up to 40°C (104°F)

#### Lens:

Polycarbonate lens

**Technical Specifications (continued)****Housing:**

Die-cast aluminum

**Effective Projected Area:**

1 Fixture: 0.4  
 2 Fixtures: 0.8  
 3 Fixtures: 1.4  
 4 Fixtures: 1.4

**Mounting:**

Adjustable universal pole mount (standard).  
 Slipfitter and wall mount accessory available.

**Finish:**

Formulated for high durability and long-lasting color

**Gaskets:**

High-temperature silicone gaskets

**Green Technology:**

Mercury and UV free. RoHS-compliant components.

**LED Characteristics****LEDs:**

Long-life, high-efficacy, surface-mount LEDs

**Color Uniformity:**

RAB's range of Correlated Color Temperature follows the guidelines of the American National Standard for Specifications for the Chromaticity of Solid State Lighting (SSL) Products, ANSI C78.377-2017.

**Optical****BUG Rating:**

Type 2  
 150W: B3 U0 G3  
 120W: B3 U0 G3  
 100W: B3 U0 G3

**Sensor Specifications****Voltage Input:**

12V DC Input, IC Solution

**Operating Voltage:**

10-15V

**Control:**

On/Off control

**Detection Area:**

25%/50%/75%/100% (Factory Setting: 100%)

**Microwave Frequency:**

5.8GHz +/- 75MHz

**Hold Time:**

5 sec/30 sec/1 min/10 min/20 min/30 min (Factory Setting: 5 sec)

**Microwave Power:**

&lt;0.3mW

**Switching Capacity:**

&lt;40mA

**Daylight Threshold:**

2Lux/10Lux/30Lux/50Lux/80Lux/120Lux/Disable (Factory Setting: Disable)

**Mounting Height:**

2.5 - 4.5 m/8.2 - 14.76 ft

**Operating Current:**

&lt;30mA

**Stand-by Period:**

0 sec/10 sec/30 sec/1 min/5 min/10 min/+∞ (Factory Setting: 0 sec)

**Detection Range:**

9.84 - 22.96 ft (3 - 7 m)

**Control Method:**

0-10V

**Stand-by Dimming Level:**

10%/20%/30%/50% (Factory Setting: 10%)

**Detection Angle:**

360° (ceiling mounted)

**Operating Temperature:**

-35°C to +70°C (-31°F to + 158°F)

**Remote Control:**

Adjust settings using remote control (catalog# MSR1). Only available with 0-10V dimming driver options. [Remote control available here.](#)

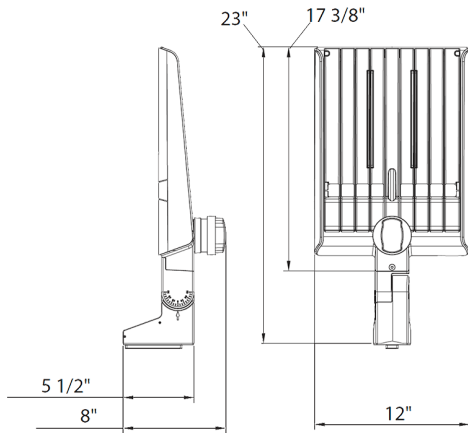
**Other****5 Yr Limited Warranty:**

The RAB 5-year, limited warranty covers light output, driver performance and paint finish. RAB's warranty is subject to all terms and conditions found at [rablighting.com/warranty](http://rablighting.com/warranty).

**Buy American Act Compliance:**

RAB values USA manufacturing! Upon request, RAB may be able to manufacture this product to be compliant with the Buy American Act (BAA). Please contact customer service to request a quote for the product to be made BAA compliant.

## Dimensions



## Features

- DLC Premium listed
- Adjustable Universal Pole Mount
- 7-Pin Receptacle with Shorting Cap
- IP66 Rated
- 100,000-Hour LED lifespan
- 5-Year, limited warranty

## Ordering Matrix

Family	Optics	Wattages	Mounting	Color Temp	Finish	Voltage	Options
A22	-	2T	150				/MVS
	2T = Type II 4T = Type IV 5T = Type V Blank = Type III	70 = 70/60/50W 100 = 100/80/60W 150 = 150/120/100W 200 = 200/180/160W 320 = 320/280/250W	Blank = Universal Adjustable Pole Mount	Blank = 3000K/4000K/5000K CCT Adjustable	Blank = Bronze W = White B = Black	Blank = 120-277V, 0-10V Dimming /480 = 480V, 0-10V Dimming	Blank = 7-Pin Receptacle with Shorting Cap /MVS = 7-Pin Receptacle with Shorting Cap and Microwave Occupancy Sensor /LCBS = Lightcloud Blue Enabled w/PIR Sensor /LCBS/MVS = Lightcloud Blue Enabled w/MVS Sensor