



Color: Black

Weight: 13.0 lbs

**Project:**

**Type:**

**Prepared By:**

**Date:**

### Driver Info

|             |                   |
|-------------|-------------------|
| Type        | Constant          |
| 120V        | 1.67A/1.50A/1.33A |
| 208V        | 0.96A/0.87A/0.77A |
| 240V        | 0.83A/0.75A/0.67A |
| 277V        | 0.72A/0.65A/0.58A |
| Input Watts | 155.1-200.5W      |

### LED Info

|                |                  |
|----------------|------------------|
| Watts          | 200/180/160W     |
| Color Temp     | N/A              |
| Color Accuracy | 80-84 CRI        |
| L70 Lifespan   | 100,000 Hours    |
| Lumens         | 21,533-27,908 lm |
| Efficacy       | 125.8-152 lm/W   |

## Technical Specifications

### Field Adjustability

#### Field Adjustable:

Field Adjustable Light Output:  
200W/180W/160W (factory default: 200W)  
Color Temperature Selectable:  
3000K, 4000K and 5000K (factory default:4000K)

### Compliance

#### UL Listed:

Suitable for wet locations. Suitable for mounting within 4 ft (1.2m) of the ground.

#### IESNA LM-79 & LM-80 Testing:

RAB LED luminaires and LED components have been tested by an independent laboratory in accordance with IESNA LM-79 and LM-80.

#### IP Rating:

Ingress protection rating of IP66 for dust and water

#### Trade Agreements Act Compliant:

This product is a product of Cambodia and a "designated country" end product that complies with the Trade Agreements Act

### DLC Listed:

This product family is listed with the DesignLights Consortium (DLC). Individual SKUs within this family may carry either a DLC Standard or DLC Premium qualification. Please refer to the individual product specification sheet or the DLC Qualified Products List (QPL) at [designlights.org](http://designlights.org) to confirm the qualification status of a specific SKU prior to specification or purchase.

### Performance

#### Lifespan:

100,000-Hour LED lifespan based on IESlm-80 results and TM-21 calculations

### Electrical

#### Driver:

Constant Current, Class 1, 120-277V, 50/60 Hz:  
200W: 120V: 1.67A, 208V: 0.96A, 240V: 0.83A, 277V: 0.72A  
180W: 120V: 1.5A, 208V: 0.87A, 240V: 0.75A, 277V: 0.65A  
100W: 120V: 1.33A, 208V: 0.77A, 240V: 0.67A, 277V: 0.58A

#### Dimming Driver:

Driver includes dimming control wiring for 0-10V dimming systems. Requires separate 0-10V DC dimming circuit. Dims down to 10%.

### THD:

2.46% at 120V, 4.28% at 277V

### Power Factor:

99.9% at 120V, 96.5% at 277V

### 7-Pin Receptacle with Shorting Cap:

ANSI C136.41 7-pin receptacle, compatible with wireless control systems

### Surge Protection:

6 kV

### Optical

#### IES Classification:

The Type III distribution is ideal for roadway, general parking and other area lighting applications where a larger pool of lighting is required. It is intended to be located near the side of the area, allowing the light to project outward and fill the area.

### BUG Rating:

Type 3  
200W: B3 U0 G3  
180W: B3 U0 G3  
160W: B3 U0 G2

### LED Characteristics

#### LEDs:

Long-life, high-efficacy, surface-mount LEDs



## Technical Specifications (continued)

### Color Uniformity:

RAB's range of Correlated Color Temperature follows the guidelines of the American National Standard for Specifications for the Chromaticity of Solid State Lighting (SSL) Products, ANSI C78.377-2017.

### Construction

#### Cold Weather Starting:

The minimum starting temperature is -40°F (-40°C)

#### Maximum Ambient Temperature:

Suitable for use in up to 104°F (40°C)

#### Lens:

Polycarbonate lens

#### Housing:

Die-cast aluminum

#### Effective Projected Area (EPA):

- 1 Fixture: 0.4
- 2 Fixtures: 0.8
- 3 Fixtures: 1.4
- 4 Fixtures: 1.4

#### Finish:

Formulated for high durability and long-lasting color

#### Gaskets:

High-temperature silicone gaskets

#### Green Technology:

Mercury and UV free. RoHS-compliant components.

### Other

#### 5-Year Limited Warranty:

The RAB 5-year, limited warranty covers light output, driver performance and paint finish. RAB's warranty is subject to all terms and conditions found at [rablighting.com/warranty](http://rablighting.com/warranty).

### Lightcloud

#### Lightcloud Blue:

Lightcloud Blue is a Bluetooth Mesh wireless lighting control system that allows you to control RAB's various compatible devices. With RAB's patented Rapid Provisioning technology, devices can be quickly and easily commissioned for residential and large commercial applications using the Lightcloud Blue mobile app. Each device in a system can communicate with any other device, eliminating the need for a Gateway or Hub and maximizing the control system's reach.

DLC system - N1XMLOEATBA (Interior);  
NHCZ2BIA17L (Exterior)

Learn more at

[www.rablighting.com/feature/new-lightcloud-blue](http://www.rablighting.com/feature/new-lightcloud-blue).

#### Gateway Required:

No

#### Communication Protocol:

Bluetooth Mesh

#### Range:

Indoor: Up to 60 feet between standard building materials. Building materials such as brick, concrete, and steel construction may require additional Lightcloud Blue devices to extend around an obstruction; Up to 200 feet clear line of sight.

Outdoor: Up to 60 feet clear line of sight; Up to 18 feet around corners

#### Spacing Criteria:

Lightcloud Blue devices should be placed within the specified range to communicate within the Bluetooth Mesh network.

#### Factory Reset:

Method 1: Delete from App

Open the app and access the device settings for the paired device. Be sure that the device is online and select 'Delete from Site'. The device will flash on/off 5 times and return to full brightness.

Method 2: Manual

Power the device off and on 5x consecutively. Do not allow less than 4s to elapse from switching off to on. Do not allow more than 2s to elapse from switching on to off. The device will flash 3x, then reset to 100% brightness at default CCT.

Method 3: Rapid Reset Tool

The Rapid Reset process must be done by a professional electrician qualified by RAB. Reach out to your RAB sales manager to request a Rapid Reset Tool. The tool simply needs to be placed directly on the small Lightcloud Blue logo on the device for 2s

### Sensor Settings

#### Sensor Connection Type:

Pogo pin

#### Max Mounting Height:

40 ft

#### Detection Range:

40 ft diameter mounted at 40 ft

#### Sensor Technology:

Passive Infrared (PIR)

#### Default Setting:

Uncommissioned State:  
Motion Sensitivity: High  
Brightness when triggered: 100%  
Hold time: 20 minutes  
Standby to dim: 20%  
Standby time: 1 minute  
When vacant: Off

Commissioned State:

Once paired, the sensor will default to disabled. Once enabled the following settings apply:  
Motion Sensitivity: High  
Brightness when triggered: Last on status  
Hold time: 20 minutes  
Standby time: 1 minute  
When vacant: Off

#### Adjustable Sensor Settings?:

Yes, using the Lightcloud Blue mobile app

#### Sensing Type:

Occupancy or Vacancy (option to disable or set as an independent sensor)

#### Occupied Actions:

On or On at a Dim Level

#### Vacant Actions:

Off or On at a Dim Level

#### Occupancy Timeout:

1 minute to 240 minutes

#### Daylight Sensing:

The sensor will determine to trigger the light(s) on or not based on the daylight threshold level set in the Lightcloud Blue mobile app.

#### Daylight Threshold:

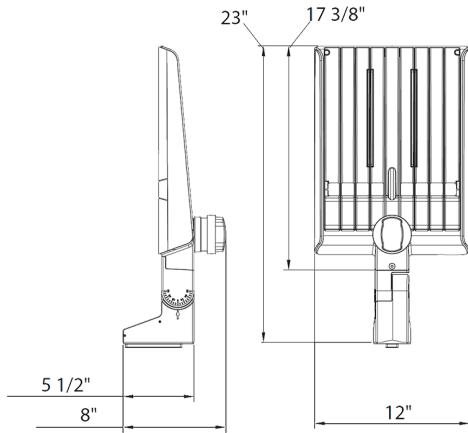
150 lux to 1500 lux

# A22-200B/LCBS



or until the lamp/luminaire flashes 3x, then resets to 100% brightness at the default CCT.

## Dimensions



## Features

- DLC Premium listed
- Adjustable Universal Pole Mount
- 7-Pin Receptacle with Shorting Cap
- IP66 Rated
- 100,000-Hour LED lifespan
- 5-Year, limited warranty

## Ordering Matrix

| Family | Optics  | Wattage   | Mounting   | Color Temp  | Finish  | Driver  | Options   |
|--------|---|---|--|---|---|---|---|
| A22    | -   | 200   |  |   | B   |   | /LCBS   |
|        | <b>2T</b> = Type II<br><b>4T</b> = Type IV<br><b>5T</b> = Type V<br><b>Blank</b> = Type III | <b>70</b> = 70/60/50W<br><b>100</b> = 100/80/60W<br><b>150</b> = 150/120/100W<br><b>200</b> = 200/180/160W<br><b>320</b> = 320/280/250W | <b>Blank</b> = Universal Adjustable Pole Mount<br><b>Blank</b> = Universal Non-Adjustable Pole Mount | <b>Blank</b> = 3000/4000/5000K CCT Adjustable<br><b>Y</b> = 3000K | <b>Blank</b> = Bronze<br><b>W</b> = White<br><b>B</b> = Black | <b>Blank</b> = 120-277V, 0-10V Dimming<br><b>/480</b> = 480V, 0-10V Dimming | <b>Blank</b> = 7-Pin Receptacle with Shorting Cap<br><b>/MVS</b> = 7-Pin Receptacle with Shorting Cap and Microwave Motion Sensor<br><b>/LCBS</b> = Lightcloud Blue w/PIR Sensor<br><b>/LCBS/MVS</b> = Lightcloud Blue w/MVS Sensor |