



Color: Bronze

Weight: 11.2 lbs

| | |
|---------------------|--------------|
| Project: | Type: |
| Prepared By: | Date: |

| Driver Info | | LED Info | |
|-------------|-------------------|----------------|-------------------|
| Type | Constant | Watts | 100/80/60W |
| 120V | 0.83A/0.67A/0.50A | Color Temp | 3000K/4000K/5000K |
| 208V | 0.48A/0.38A/0.25A | Color Accuracy | 80-84 CRI |
| 240V | 0.42A/0.33A/0.25A | L70 Lifespan | 100,000 Hours |
| 277V | 0.72A/0.29A/0.22A | Lumens | 9,023-14,537 lm |
| Input Watts | 59.9-101W | Efficacy | 130.3-161.5 lm/W |

Technical Specifications

Field Adjustability

Field Adjustable:

Field Adjustable Light Output:
100W/80W/60W (factory default: 100W)
Color Temperature Selectable:
3000K, 4000K and 5000K (factory default:4000K)

Compliance

UL Listed:

Suitable for wet locations. Suitable for mounting within 4ft (1.2m) of the ground.

IESNA LM-79 & LM-80 Testing:

RAB LED luminaires and LED components have been tested by an independent laboratory in accordance with IESNA LM-79 and LM-80.

IP Rating:

Ingress protection rating of IP66 for dust and water

DLC Listed:

This product is listed by Design Lights Consortium (DLC) as an ultra-efficient premium product that qualifies for the highest tier of rebates from DLC Member Utilities. Designed to meet DLC 5.1 requirements.
DLC Product Code: S-NSJQHH

Performance

Lifespan:

100,000-Hour LED lifespan based on IES LM-80 results and TM-21 calculations

Wattage Equivalency:

100W: Replaces up to 400W Metal Halide (MH) or 310W High Pressure Sodium (HPS)
80W: Replaces up to 350W Metal Halide (MH) or 250W High Pressure Sodium (HPS)
60W: Replaces up to 250W Metal Halide (MH) or 200W High Pressure Sodium (HPS)

Electrical

Driver:

Constant Current, Class 1, 120-277V, 50/60 Hz:
100W: 120V: 0.83A, 208V: 0.48A, 240V: 0.42A, 277V: 0.36A
80W: 120V: 0.67A, 208V: 0.38A, 240V:0.33A, 277V: 0.29A
60W: 120V: 0.5A, 208V: 0.29A, 240V:0.25A, 277V: 0.22A

Dimming Driver:

Driver includes dimming control wiring for 0-10V dimming systems. Requires separate 0-10V DC dimming circuit. Dims down to 10%.

THD:

3.25% at 120V, 5.82% at 277V

Power Factor:

99.7% at 120V, 94.5% at 277V

7-Pin Receptacle with Shorting Cap:

ANSI C136.41 7-pin receptacle, compatible with wireless control systems

Surge Protection:

6kV

Construction

IES Classification:

The Type III distribution is ideal for roadway, general parking and other area lighting applications where a larger pool of lighting is required. It is intended to be located near the side of the area, allowing the light to project outward and fill the area.

Cold Weather Starting:

The minimum starting temperature is -40°C (-40°F)

Maximum Ambient Temperature:

Suitable for use in up to 40°C (104°F)

Lens:

Polycarbonate lens

Housing:

Die-cast aluminum

Technical Specifications (continued)

Effective Projected Area:

1 Fixture: 0.3
2 Fixtures: 0.7
3 Fixtures: 1.2
4 Fixtures: 1.2

Mounting:

Adjustable universal pole mount (standard).
Slipfitter and wall mount accessory available.

Finish:

Formulated for high durability and long-lasting color

Gaskets:

High-temperature silicone gaskets

Green Technology:

Mercury and UV free. RoHS-compliant components.

LED Characteristics

LEDs:

Long-life, high-efficacy, surface-mount LEDs

Color Uniformity:

RAB's range of Correlated Color Temperature follows the guidelines of the American National Standard for Specifications for the Chromaticity of Solid State Lighting (SSL) Products, ANSI C78.377-2017.

Optical

BUG Rating:

Type 3
100W: B2 U0 G2
80W: B2 U0 G2
60W: B2 U0 G1

Sensor Specifications

Voltage Input:

12V DC Input, IC Solution

Operating Voltage:

10-15V

Control:

On/Off control

Detection Area:

25%/50%/75%/100% (Factory Setting: 100%)

Microwave Frequency:

5.8GHz +/- 75MHz

Hold Time:

5 sec/30 sec/1 min/10 min/20 min/30 min (Factory Setting: 5 sec)

Microwave Power:

<0.3mW

Switching Capacity:

<40mA

Daylight Threshold:

2Lux/10Lux/30Lux/50Lux/80Lux/120Lux/Disable
(Factory Setting: Disable)

Mounting Height:

2.5 - 4.5 m/8.2 - 14.76 ft

Operating Current:

<30mA

Stand-by Period:

0 sec/10 sec/30 sec/1 min/5 min/10 min/+∞ (Factory Setting: 0 sec)

Detection Range:

9.84 - 22.96 ft (3 - 7 m)

Control Method:

0-10V

Stand-by Dimming Level:

10%/20%/30%/50% (Factory Setting: 10%)

Detection Angle:

360° (ceiling mounted)

Operating Temperature:

-35°C to +70°C (-31°F to + 158°F)

Remote Control:

Adjust settings using remote control (catalog# MSR1). Only available with 0-10V dimming driver options. [Remote control available here.](#)

Other

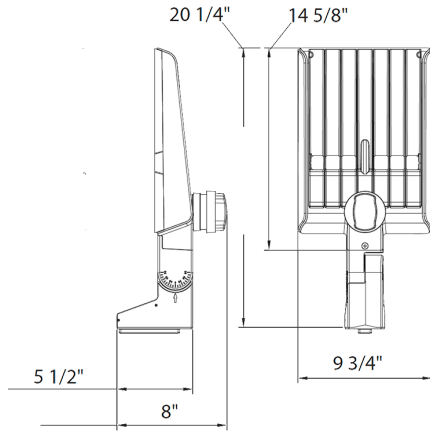
5 Yr Limited Warranty:

The RAB 5-year, limited warranty covers light output, driver performance and paint finish. RAB's warranty is subject to all terms and conditions found at rablighting.com/warranty.

Buy American Act Compliance:

RAB values USA manufacturing! Upon request, RAB may be able to manufacture this product to be compliant with the Buy American Act (BAA). Please contact customer service to request a quote for the product to be made BAA compliant.

Dimensions



Features

- DLC Premium listed
- Adjustable Universal Pole Mount
- 7-Pin Receptacle with Shorting Cap
- IP66 Rated
- 100,000-Hour LED lifespan
- 5-Year, limited warranty

Ordering Matrix

| Family | Optics | Wattages | Mounting | Color Temp | Finish | Voltage | Options |
|--------|---|--|---|--|--|---|--|
| A22 | - | 100 | | | | | /MVS |
| | 2T = Type II 4T = Type IV 5T = Type V Blank = Type III | 70 = 70/60/50W 100 = 100/80/60W 150 = 150/120/100W 200 = 200/180/160W 320 = 320/280/250W | Blank = Universal Adjustable Pole Mount | Blank = 3000K/4000K/5000K CCT Adjustable | Blank = Bronze W = White B = Black | Blank = 120-277V, 0-10V Dimming /480 = 480V, 0-10V Dimming | Blank = 7-Pin Receptacle with Shorting Cap /MVS = 7-Pin Receptacle with Shorting Cap and Microwave Occupancy Sensor /LCBS = Lightcloud Blue Enabled w/PIR Sensor /LCBS/MVS = Lightcloud Blue Enabled w/MVS Sensor |