



Color: Black

Weight: 11.2 lbs

<b>Project:</b>	<b>Type:</b>
<b>Prepared By:</b>	<b>Date:</b>

Driver Info		LED Info	
Type	Constant	Watts	100/80/60W
120V	N/A	Color Temp	3000K/4000K/5000K
208V	N/A	Color	80-84 CRI
240V	N/A	Accuracy	
277V	N/A	L70 Lifespan	100,000 Hours
Input Watts	61.7-99.8W	Lumens	9,050-14,468 lm
		Efficacy	131.2-157.9 lm/W

**Technical Specifications**

**Field Adjustability**

**Field Adjustable:**

Field Adjustable Light Output:  
100W/80W/60W (factory default: 100W)  
Color Temperature Selectable:  
3000K, 4000K and 5000K (factory default:4000K)

**Compliance**

**UL Listed:**

Suitable for wet locations. Suitable for mounting within 4ft (1.2m) of the ground.

**IESNA LM-79 & LM-80 Testing:**

RAB LED luminaires and LED components have been tested by an independent laboratory in accordance with IESNA LM-79 and LM-80.

**IP Rating:**

Ingress protection rating of IP66 for dust and water

**Trade Agreements Act Compliant:**

This product is a product of Cambodia and a "designated country" end product that complies with the Trade Agreements Act

**DLC Listed:**

This product is listed by Design Lights Consortium (DLC) as an ultra-efficient premium product that qualifies for the highest tier of rebates from DLC Member Utilities. Designed to meet DLC 5.1 requirements.  
DLC Product Code: S-8JX8VS

**Performance**

**Lifespan:**

100,000-Hour LED lifespan based on IES LM-80 results and TM-21 calculations

**Wattage Equivalency:**

100W: Replaces up to 400W Metal Halide (MH) or 310W High Pressure Sodium (HPS)  
80W: Replaces up to 350W Metal Halide (MH) or 250W High Pressure Sodium (HPS)  
60W: Replaces up to 250W Metal Halide (MH) or 200W High Pressure Sodium (HPS)

**Electrical**

**Driver:**

Constant Current, Class 1, 480V, 50/60 Hz:  
100W: 480V: 0.21A  
80W: 480V: 0.17A  
60W: 480V: 0.13A

**Dimming Driver:**

Driver includes dimming control wiring for 0-10V dimming systems. Requires separate 0-10V DC dimming circuit. Dims down to 10%.

**THD:**

13.72% at 480V

**Power Factor:**

93.4% at 120V, 0% at 277V

**7-Pin Receptacle with Shorting Cap:**

ANSI C136.41 7-pin receptacle, compatible with wireless control systems

**Surge Protection:**

6kV

**Construction**

**IES Classification:**

The Type III distribution is ideal for roadway, general parking and other area lighting applications where a larger pool of lighting is required. It is intended to be located near the side of the area, allowing the light to project outward and fill the area.

**Cold Weather Starting:**

The minimum starting temperature is -40°C (-40°F)

**Maximum Ambient Temperature:**

Suitable for use in up to 40°C (104°F)

**Lens:**

Polycarbonate lens

**Housing:**

Die-cast aluminum

## Technical Specifications (continued)

### Effective Projected Area:

- 1 Fixture: 0.3
- 2 Fixtures: 0.7
- 3 Fixtures: 1.2
- 4 Fixtures: 1.2

### Mounting:

Adjustable universal pole mount (standard).  
Slipfitter and wall mount accessory available.

### Finish:

Formulated for high durability and long-lasting color

### Gaskets:

High-temperature silicone gaskets

### Green Technology:

Mercury and UV free. RoHS-compliant components.

## LED Characteristics

---

### LEDs:

Long-life, high-efficacy, surface-mount LEDs

### Color Uniformity:

RAB's range of Correlated Color Temperature follows the guidelines of the American National Standard for Specifications for the Chromaticity of Solid State Lighting (SSL) Products, ANSI C78.377-2017.

## Optical

---

### BUG Rating:

- Type 3
- 100W: B2 U0 G2
- 80W: B2 U0 G2
- 60W: B2 U0 G1

## Other

---

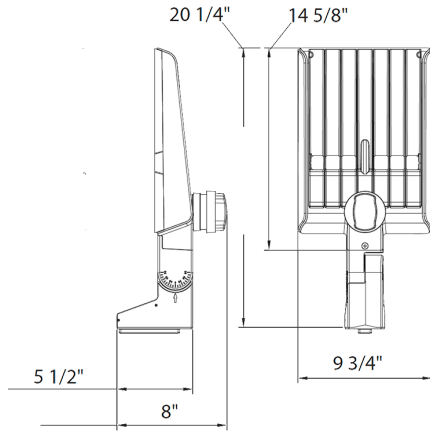
### 5 Yr Limited Warranty:

The RAB 5-year, limited warranty covers light output, driver performance and paint finish. RAB's warranty is subject to all terms and conditions found at [rablighting.com/warranty](http://rablighting.com/warranty).

### Buy American Act Compliance:

RAB values USA manufacturing! Upon request, RAB may be able to manufacture this product to be compliant with the Buy American Act (BAA). Please contact customer service to request a quote for the product to be made BAA compliant.

**Dimensions**



**Features**

- DLC Premium listed
- Adjustable Universal Pole Mount
- 7-Pin Receptacle with Shorting Cap
- IP66 Rated
- 100,000-Hour LED lifespan
- 5-Year, limited warranty

**Ordering Matrix**

Family	Optics	Wattages	Mounting	Color Temp	Finish	Voltage	Options
A22	-	100			B	/480	
	2T = Type II 4T = Type IV 5T = Type V Blank = Type III	70 = 70/60/50W 100 = 100/80/60W 150 = 150/120/100W 200 = 200/180/160W 320 = 320/280/250W	Blank = Universal Adjustable Pole Mount	Blank = 3000K/4000K/5000K CCT Adjustable	Blank = Bronze W = White B = Black	Blank = 120-277V, 0-10V Dimming /480 = 480V, 0-10V Dimming	Blank = 7-Pin Receptacle with Shorting Cap /MVS = 7-Pin Receptacle with Shorting Cap and Microwave Occupancy Sensor /LCBS = Lightcloud Blue Enabled w/PIR Sensor /LCBS/MVS = Lightcloud Blue Enabled w/MVS Sensor