



UPC: 192552000215

Color: Clear

Weight: 0.1 lbs

Project:	Type:
Prepared By:	Date:

Technical Specifications

Performance

Product Type:

Decorative

Input Wattage:

9W

Lumens (Nominal):

810lm

L70 Lifespan:

15,000-Hour LED lifespan based on IES LM-70 results

Wattage Equivalency:

60W

LED Characteristics

Color Accuracy (CRI):

90 CRI

Color Temperature:

3000K

Electrical

Power Factor:

>0.7

Dimmable:

Yes, down to 10%

Input Voltage:

120V

Operating Frequency:

60 Hz

Operating Temperature:

-20°C to 40°C

Construction

Bulb Shape:

A19

Enclosure Material:

Glass

Housing Finish:

Clear

Base Type:

E26 Edison

Optical

Beam Angle:

360°

Other

Technology EQ:

Incandescent

Warranty:

RAB warrants that our LED products will be free from defects in materials and workmanship for a period of three (3) years from the date of delivery to the end user, including coverage of light output, color stability, driver performance and fixture finish. RAB's warranty is subject to all terms and conditions found at rablighting.com/warranty.

Buy American Act Compliance:

RAB values USA manufacturing! Upon request, RAB may be able to manufacture this product to be compliant with the Buy American Act (BAA). Please contact customer service to request a quote for the product to be made BAA compliant.

Compliance

Listings:

UL Listed

Environment/Fixture Rating:

Wet / Enclosed

Energy Star Approved:

This product is ENERGY STAR® Version 2.0 Certified

Energy Star ID:

2367120

Technical Specifications (continued)

T20 Compliant:

Yes, Title 20 Tier 2

RoHS:

Mercury and UV free. RoHS-compliant components.

FCC:

Complies with Part 15B of the FCC Rules

Model Number for Certification:

A19-9-E26-930-F-C

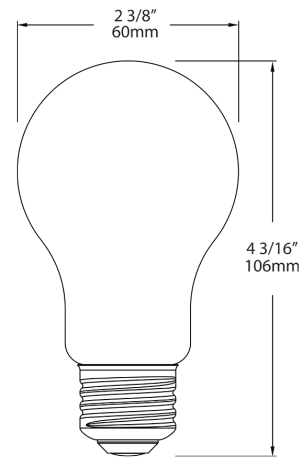
Minimum Compartment Size

Length x Width x Height [in]	Lamp Quantity
11	1

Case and Pallet Dimensions

	QTY	LENGTH (in)	WIDTH (in)	HEIGHT (in)
CASE	12	0	0	0
PALLET	1080	0	0	0

Dimension



Features

- Replacement for conventional decorative lamps
- Filament LED construction gives a unique traditional look and feel for decorative and ambient applications
- Produces rich and vibrant colors, >90CRI
- Rated for use in enclosed and open fixtures in dry and damp locations
- Longer lifespan compared to legacy equivalents minimizes replacement and maintenance costs
- Title 20 Compliant, ENERGY STAR Compliant, UL Listed
- Smooth uniform dimming down to 10% (See Dimmer Compatibility List)

Ordering Matrix

Family		Wattage		Base Type		CRI/Color Temp		Type		Finish
A19	-	9	-	E26	-	930	-	F	-	C
		5 = 5W 9 = 9W 10 = 10W 13 = 13W		E26 = E26		950 = 90 CRI, 5000K 940 = 90 CRI, 4000K 930 = 90 CRI, 3000K 927 = 90 CRI, 2700K		F = Filament		C = Clear F = Frosted