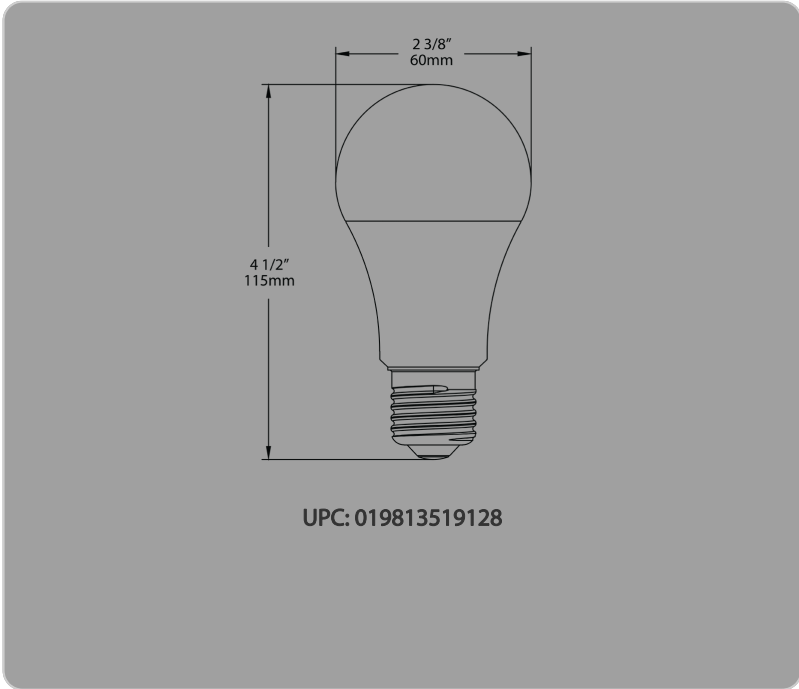


<b>Project:</b>	<b>Type:</b>	<b>Prepared By:</b>	<b>Date:</b>
-----------------	--------------	---------------------	--------------



### Features and Benefits

Technical Specifications		
<b>Performance</b> <hr/> <b>Product Type:</b> A-Line  <b>Input Wattage:</b> 10W  <b>Wattage Equivalency:</b> 60W Incandescent  <b>Lumens (Nominal):</b> 800lm  <b>L70 Lifespan:</b> 25,000 Hours	<b>Operating Temperature:</b> -20°C to 40°C  <b>Input Voltage:</b> 120V  <b>Operating Frequency:</b> 60 Hz  <b>Optical</b> <hr/> <b>Beam Angle:</b> 230°  <b>Other</b> <hr/> <b>Warranty:</b> RAB warrants that our LED products will be free from defects in materials and workmanship for a period of three (3) years from the date of delivery to the end user, including coverage of light output, color stability, driver performance and fixture finish. RAB's warranty is subject to all terms and conditions found at <a href="http://rablighting.com/warranty">rablighting.com/warranty</a> .	<b>UL Listed:</b> Yes  <b>Enclosed Fixtures:</b> Suitable for use in enclosed fixtures  <b>Energy Star Approved:</b> This product is ENERGY STAR® Version 2.0 Certified  <b>T20:</b> Complies with CEC Title 20  <b>T24 JA8 Compliant:</b> Complies with Title 24 Appendix JA8  <b>FCC:</b> Yes
<b>Construction</b> <hr/> <b>Bulb Shape:</b> A19  <b>Base Type:</b> E26 Edison	<b>Electrical</b> <hr/> <b>Power Factor:</b> >0.9  <b>Compliance</b> <hr/> <b>Damp Rated:</b> Suitable for damp locations	

Dimension

