



Color: Bronze

Weight: 11.5 lbs

Project:	Type:
Prepared By:	Date:

Driver Info		LED Info	
Type	Constant Current	Watts	200/180/160W
120V	1.63A/1.46A/1.30A	Color Temp	3000/4000/5000K
208V	0.94A/0.84A/0.75A	Color Accuracy	81-83 CRI
240V	0.85A/0.76A/0.68A	L70 Lifespan	100,000 Hours
277V	0.72A/0.68A/0.61A	Lumens	25,114-31,971 lm
Input Watts	155.9-202.6W	Efficacy	149.3-168.4 lm/W

Technical Specifications

Compliance

UL Listed:

Suitable for wet locations

IESNA LM-79 & LM-80 Testing:

RAB LED luminaires and LED components have been tested by an independent laboratory in accordance with IESNA LM-79 and LM-80.

IP Rating:

Ingress protection rating of IP65 for dust and water

DLC Listed:

This product is listed by Design Lights Consortium (DLC) as an ultra-efficient premium product that qualifies for the highest tier of rebates from DLC Member Utilities. Designed to meet DLC 5.1 requirements.

DLC Product Code: S-Y72P8P (Outdoor Pole/Arm-Mounted Area and Roadway Luminaires)S-R9YLTM (Architectural Flood and Spot Luminaires)

Electrical

Driver:

200W: Constant Current, Class 1, 120-277V, 50/60 Hz, 120V: 1.63A, 208V: 0.94A, 240V: 0.85A, 277V: 0.72A
180W: Constant Current, Class 1, 120-277V, 50/60 Hz, 120V: 1.46A, 208V: 0.84A, 240V: 0.76A, 277V: 0.68A
160W: Constant Current, Class 1, 120-277V, 50/60 Hz, 120V: 1.30A, 208V: 0.75A, 240V: 0.68A, 277V: 0.61A

Dimming Driver:

Driver includes dimming control wiring for 0-10V dimming systems. Requires separate 0-10V DC dimming circuit. Dims down to 10%.

THD:

2.81% at 120V, 10.04% at 277V

Power Factor:

99.9% at 120V, 95.8% at 277V

Surge Protection:

6kV

Performance

Lifespan:

100,000-Hour LED lifespan based on IES LM-80 results and TM-21 calculations

Construction

IES Classification:

The Type III distribution is ideal for roadway, general parking and other area lighting applications where a larger pool of lighting is required. It is intended to be located near the side of the area, allowing the light to project outward and fill the area.

Cold Weather Starting:

The minimum starting temperature is -40°C (-40°F)

Maximum Ambient Temperature:

Suitable for use in up to 40°C (104°F)

Lens:

Polycarbonate lens

Housing:

Die-cast aluminum housing, lens frame and mounting arm

Vibration Rating:

3G vibration rating per ANSI C136.31

Technical Specifications (continued)

EPA:

- 1 Fixture: 0.60
- 2 Fixtures at 90°: 0.77
- 2 Fixtures at 180°: 1.19
- 3 Fixtures at 90°: 1.19
- 4 Fixtures at 90°: 1.19

EPA with Slipfitter & Adjustable Arm Mounting Accessories (Sold Separately)

- 1 Fixture: 0.79
- 2 Fixtures at 90°: 0.97
- 2 Fixtures at 180°: 1.59
- 3 Fixtures at 90°: 1.59
- 4 Fixtures at 90°: 1.59

Finish:

Formulated for high durability and long-lasting color

Green Technology:

Mercury and UV free. RoHS-compliant components.

LED Characteristics

LEDs:

Long-life, high-efficiency, surface-mount LEDs

Color Uniformity:

RAB's range of Correlated Color Temperature follows the guidelines of the American National Standard for Specifications for the Chromaticity of Solid State Lighting (SSL) Products, ANSI C78.377-2017.

Installation

Mounting:

Universal mounting arm compatible for hole spacing patterns from 1" to 5 1/2" center to center. Round Pole Adaptor plate included as a standard. Easy slide and lock to mount fixture with ease. Round pole diameter must be >4" to mount fixtures at 90° orientation.

Optical

BUG Rating:

B4 U0 G4

Other

5 Yr Limited Warranty:

The RAB 5-year, limited warranty covers light output, driver performance and paint finish. RAB's warranty is subject to all terms and conditions found at rablighting.com/warranty.

Buy American Act Compliance:

RAB values USA manufacturing! Upon request, RAB may be able to manufacture this product to be compliant with the Buy American Act (BAA). Please contact customer service to request a quote for the product to be made BAA compliant.

Lightcloud

Lightcloud Blue:

Lightcloud Blue is a Bluetooth Mesh wireless lighting control system that allows you to control RAB's various compatible devices. With RAB's patented Rapid Provisioning technology, devices can be quickly and easily commissioned for residential and large commercial applications using the Lightcloud Blue mobile app. Each device in a system can communicate with any other device, eliminating the need for a Gateway or Hub and maximizing the control system's reach.

DLC system - N1XMLOEATBA (Interior);
NHCZ2BIA17L (Exterior)

Learn more at www.lightcloud.com.

Gateway Required:

No

Communication Protocol:

Bluetooth Mesh

Range:

Indoor: Up to 60 feet between standard building materials. Building materials such as brick, concrete, and steel construction may require additional Lightcloud Blue devices to extend around an obstruction; Up to 200 feet clear line of sight.

Outdoor: Up to 60 feet clear line of sight; Up to 18 feet around corners

Spacing Criteria:

Lightcloud Blue devices should be placed within the specified range to communicate within the Bluetooth Mesh network.

Sensor Settings

Sensor Connection Type:

Pogo pin

Max Mounting Height:

50 ft

Detection Range:

50 ft diameter mounted at 50 ft

Sensor Technology:

Microwave (MVS)

Default Setting:

Uncommissioned State:
Motion Sensitivity: High
Brightness when triggered: 100%
Hold time: 20 minutes
Standby to dim: 20%
Standby time: 1 minute
When vacant: Off

Commissioned State:
Once paired, the sensor will default to disabled.
Once enabled the following settings apply:
Motion Sensitivity: High
Brightness when triggered: Last on status
Hold time: 20 minutes
Standby time: 1 minute
When vacant: Off

Adjustable Sensor Settings?:

Yes, using the Lightcloud Blue mobile app

Sensing Type:

Occupancy or Vacancy (option to disable or set as an independent sensor)

Occupied Actions:

On or On at a Dim Level

Vacant Actions:

Off or On at a Dim Level

Occupancy Timeout:

1 minute to 240 minutes

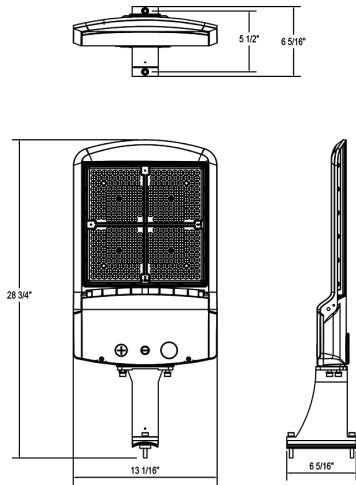
Daylight Sensing:

The sensor will determine to trigger the light(s) on or not based on the daylight threshold level set in the Lightcloud Blue mobile app.

Daylight Threshold:

150 lux to 1500 lux

Dimensions



Features

- 0-10V Dimming, standard
- 100,000-hour LED lifespan
- 5-Year, limited warranty

Ordering Matrix

Family	Distribution	Wattage/Lumens	Mounting	Color Temp	Finish	Driver	Options
A17	-	3T	200				/LCBS
	4T = Type IV 5T = Type V 3T = Type III	70 = 70/60/50W 100 = 100/80/60W 150 = 150/120/100W 200 = 200/180/160W 300 = 300/240/200W 375 = 375/300/240W 480 = 480/400/320W	SF = Slipfitter (Factory installed SF available in 150W) Blank = Universal Pole Mount	Blank = 3000/4000/5000K CCT Adjustable	Blank = Bronze	Blank = 120-277V, 0-10V Dimming /480 = 480V, 0-10V Dimming ¹	Blank = No Option /3PRS = 3-pin Receptacle and Shorting Cap /7PRS = 7-pin Receptacle and Shorting Cap /MVS = Microwave Motion Sensor /LCBS = Lightcloud Blue w/PIR Sensor /LCBS/MVS = Lightcloud Blue w/MVS Sensor

¹ 480V driver available standard on 150W and 300W and by special order on 100, 240 and 375W. Not available on 70W or 200W models.

Type II distribution available as special order

Wall mount and adjustable universal pole mount available as optional field-installed accessories