

FV-NLF46RES

Recessed Inlet™



- Multi-purpose exhaust or supply recessed inlet is ideal for use with remote mount in-line fans and H/ERVs
- Can be used as a light only option matching the WhisperRecessed LED™ fan/light
- Incorporates an architectural grade recessed can light design
- Includes (1) replaceable 11W, ENERGY STAR® 2.0 certified, GU24 base LED lamp
- Ultra-energy efficient LED lamp uses up to 40% less energy than CFLs
- LED lamp is dimmable
- Beautiful lighting with 6" aperture and advanced luminaire design

ADDITIONAL BENEFITS

- Can be used to comply with California Title 24
- Integrated 4" or 6" duct adapter
- UL listed for tub/shower enclosure when GFCI protected
- IC rated
- 5-year warranty on LED, 3-years on parts

The Design Solution for Exhaust or Supply Inlets

Recessed Inlet™

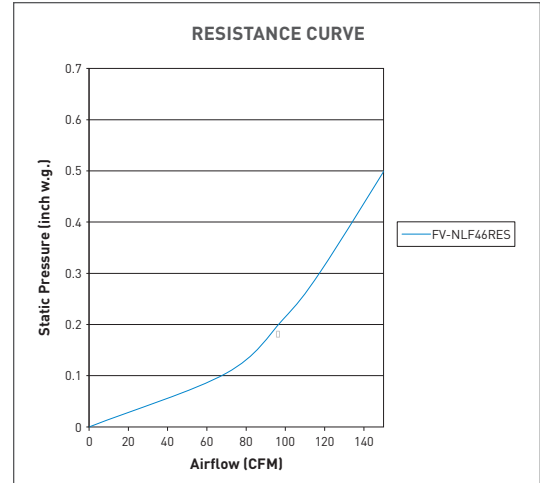
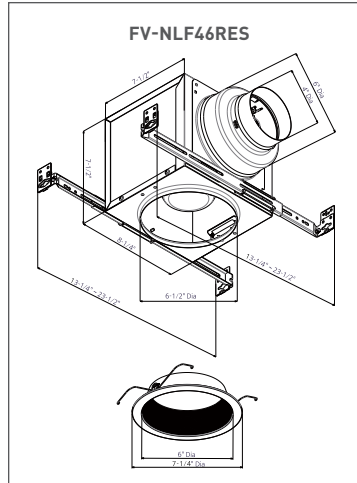


FV-NLF46RES



LED Lamp

INCLUDED: One 11 Watt
GU24 base LED lamp/
2700 Kelvin Warm White/
>90CRI/750 lumens/68 LPW/
ENERGY STAR 2.0 certified/
25,000 hours rated average life.



	Recessed Inlet	FV-NLF46RES	
Characteristics (HVI tested data for 0.1" S.P.)	Static Pressure in inches w.g.	N/A	N/A
	Air Volume (CFM)	N/A	N/A
	Noise (sones)	N/A	N/A
	Power Consumption (watts)	N/A	N/A
	Energy Efficiency (CFM/Watt)	N/A	N/A
	Speed (RPM)	N/A	N/A
	Current (amps)	N/A	N/A
	MAX. Current (amps)	N/A	
	Power Rating (V/Hz)	120/60	
	Specifications	Motor Type	N/A
Type of Motor Bearing		N/A	
Thermal Fuse Protection		N/A	
Blower Wheel Type		N/A	
ENERGY STAR Qualified		Yes*	
Installation	Duct Diameter (Inches)	4" or 6"	
	Housing Collar Opening (Inches)	6-1/2" Round	
	Trim Outer Diameter (Inches)	7-1/4" Round	
Light Specifications	Lamp Watts	1 x 11	
	Lumens (lm)	750	
	Lumens Per Watt (LPW)	68	
	Color Rendering Index	92	
	Color Temperature (Kelvin)	2,700	
	Rated Life (hours)	25,000	
	Lamp Model # (Green Creative)	11BR30G4DIM/927/GU24	
	Type of Lamp Socket	GU24	
Shipping	Gross Weight (lbs)	6.9	
	Approved Code/Standard/ Regulation	UL tub/Shower Enclosure	Yes
		CALGreen	N/A
		Washington VIAQ Code	N/A
		California Title 24 Compliant	Yes
		Mfg in ISO 9001 Certified Facility	Yes

*Only for the Lamp



Panasonic Eco Solutions of North America Eco Products Division

Two Riverfront Plaza
Newark, NJ 07102

us.panasonic.com/ventfans

For Order Information

PHONE: 866-292-7299

FAX: 888-553-0723

ventfans@us.panasonic.com