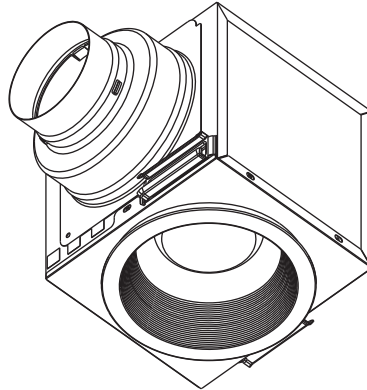


# Service Manual

Ventilating Fan  
(North America Market)  
FV-NLF46RES



## SPECIFICATIONS

Model No.	Air direction	Voltage (V)	Frequency (Hz)	Duct diameter (inches)	Power consumption (W)	Weight lb. (kg)
					Lamp	
FV-NLF46RES	Exhaust	120	60	4	11.0	5.3(2.4)
				6	11.0	

## ⚠ WARNING

This service information is designed for experienced repair technicians only and is not designed for use by the general public. It does not contain warnings or cautions to advise non-technical individuals of potential dangers in attempting to service a product. Products powered by electricity should be serviced or repaired only by experienced professional technicians. Any attempt to service or repair the product or products dealt with in this service information by anyone else could result in serious injury or death.

## IMPORTANT SAFETY NOTICE

There are special components used in this equipment which are important for safety. These parts are marked by  $\triangle$  in the Schematic Diagrams, Exploded Views and Replacement Parts List. It is essential that these critical parts should be replaced with manufacturer's specified parts to prevent shock, fire or other hazards. Do not modify the original design without permission of manufacture. We suggest to handle such parts after the static electricity prevention. It is forbidden to touch the PCB parts by bare hands during the repairing process.

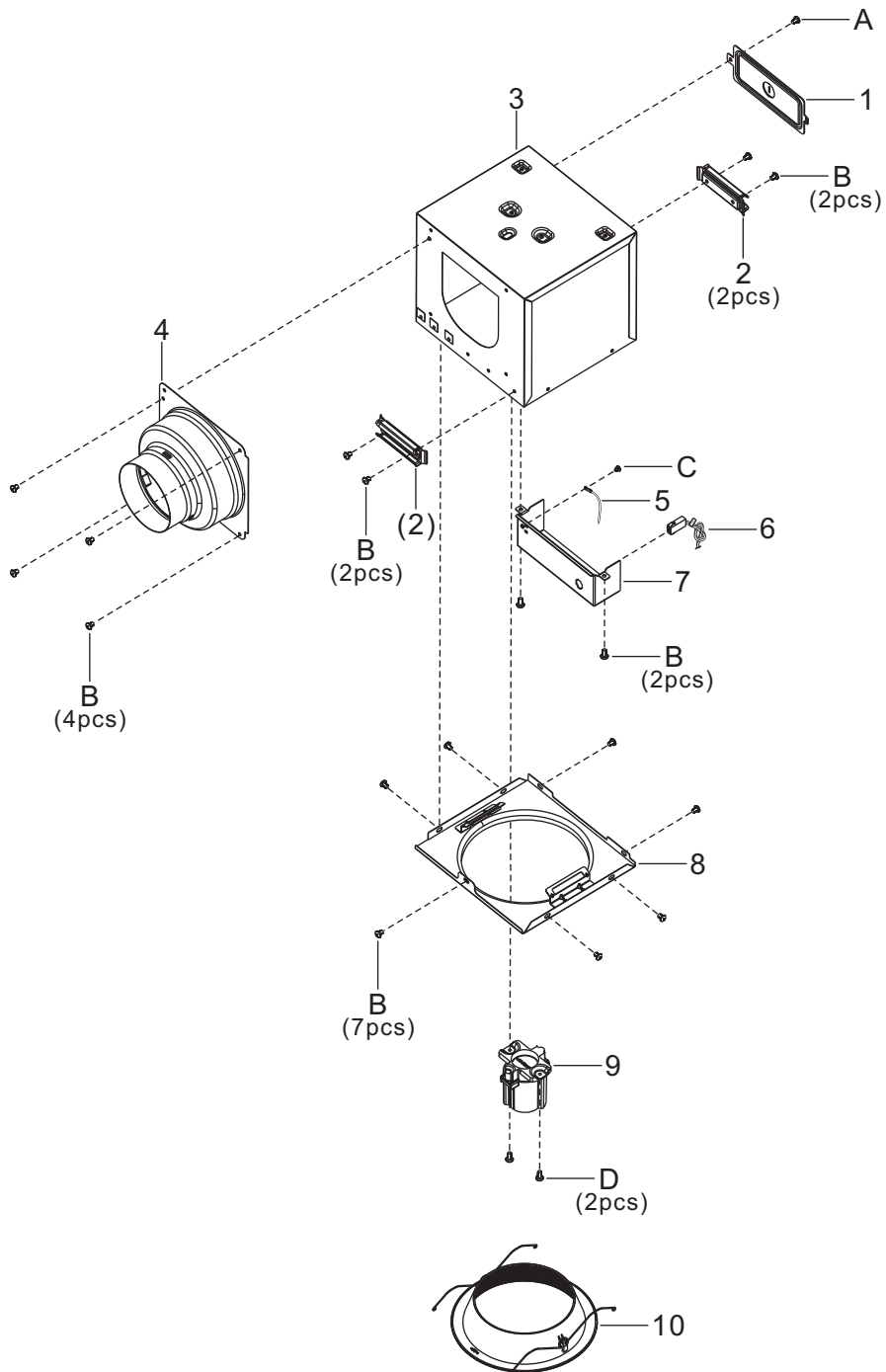
## CONTENTS

	PAGE
1.Parts Identification-----	1~2
2.Wiring Diagram-----	3
3.Parts List-----	4

# 1. Parts Identification

FV-NLF46RES

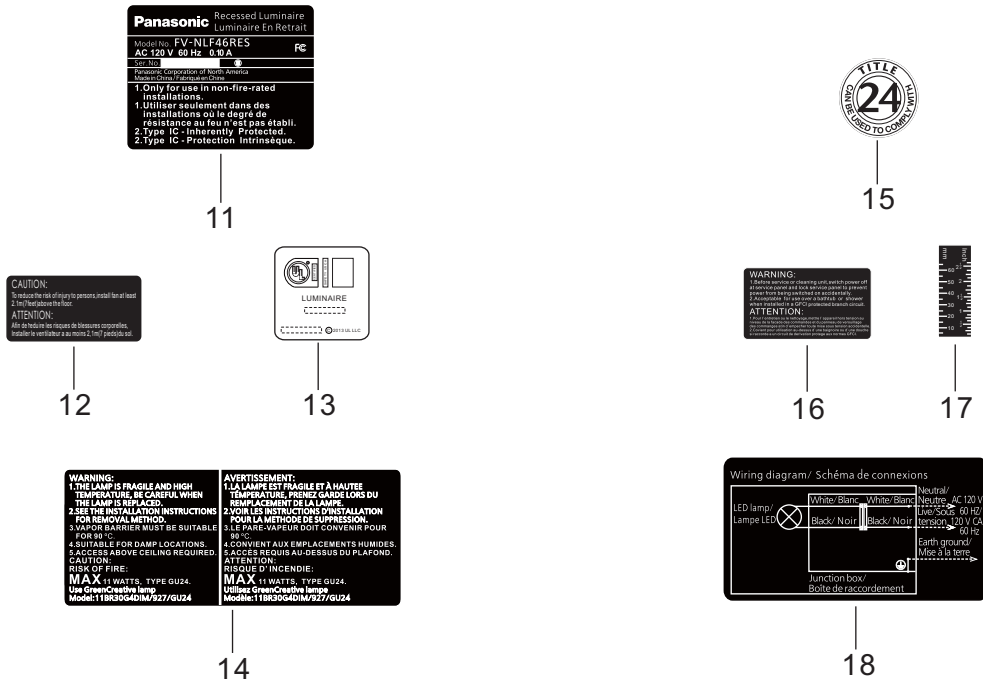
## Main Body Section



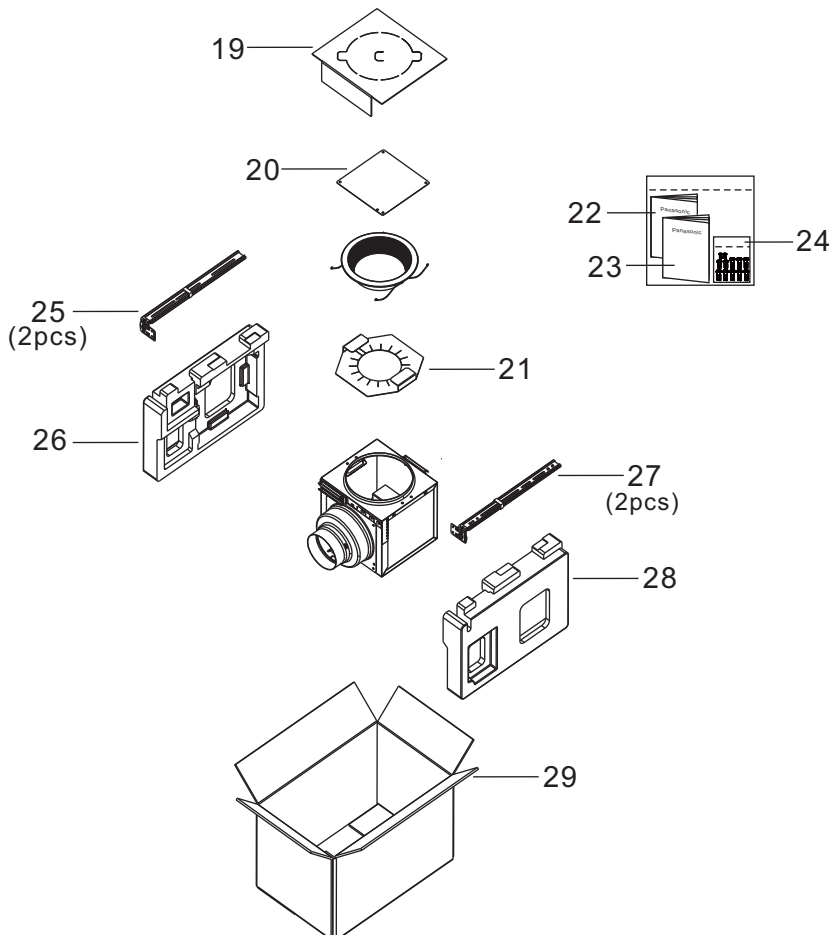
# 1. Parts Identification

FV-NLF46RES

## Main Labels

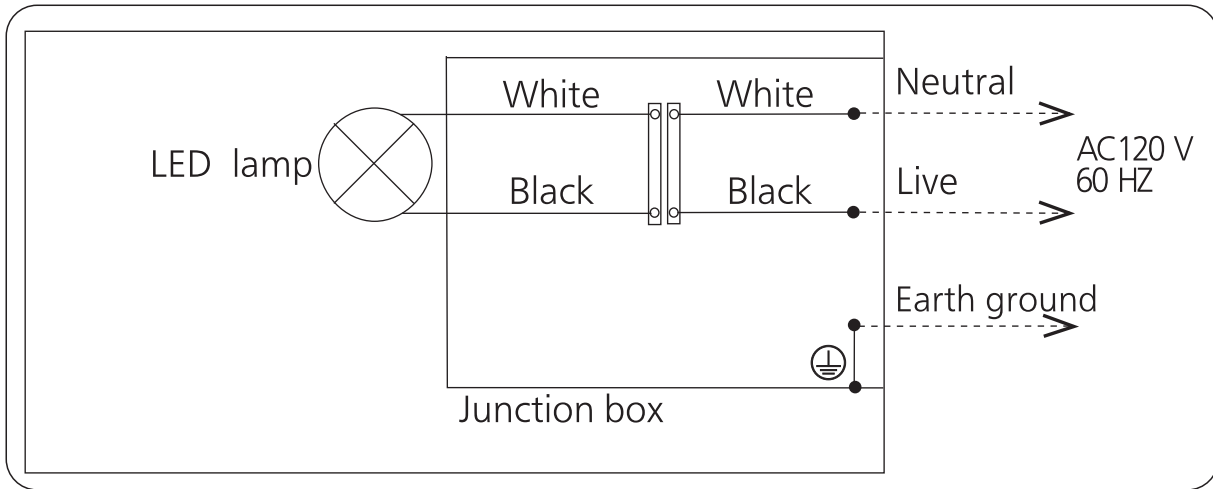


## Packing Section



## 2. Wiring diagram

FV-NLF46RES



### 3. Parts List

FV-NLF46RES

#### Main Body Section

No.	Part No.	Part Name	Q'ty	Remark
1	FFV6710026S	Wiring Cover Unit	1	
2	FFV0420027S	Bracket Cover	2	
3	FFV1600150S	Frame Assy	1	
4	FFV0000125S	Adapter Assembly	1	
5	FFV3402103S	Earth Lead Wire	1	⚠
6	FFV0900056S	Connector Assembly L	1	⚠
7	FFV2800015S	Junction Box	1	
8	FFV1600151S	Frame Cover Assy	1	
9	FFV3410044S	Light Unit Assembly	1	⚠
10	FFV5840030S	Trim Assembly	1	
A	FFV7000108S	Truss Tap Screw	1	
B	FFV7000018S	Truss Tap Screw	17	
C	FFV7000211S	Earth Screw Assy	1	For Fixing Earth Lead Wire ⚠
D	FFV7000202S	Bind Tap Screw	2	

#### Main Labels

11	FFV4020860S	Name Plate	1	
12	FFV6730041S	Warning Label	1	
13	FFV2260005S	UL Mark	1	
14	FFV6730100S	Warning Label	1	
15	FFV4730001S	T24 Mark Label	1	
16	FFV0810002S	Caution Label	1	
17	FFV5720015S	Scale Tape	1	
18	FFV6730101S	Wiring Label	1	

#### Packing Section

19	FFV5840031S	Trim Plate Assembly	1	
20	FFV0000162S	Adapter Panel	1	
21	FFV5840032S	Trim Pad 1	1	
22	FFV2540199S	Operation Instructions	1	English
23	FFV2540200S	Operation Instructions	1	Spanish&French
24	FFV0010236S	Accessory A	1	
25	FFV0420028S	Bracket Assembly 1	2	
26	FFV4710405S	Left Pad	1	
27	FFV0420029S	Bracket Assembly 2	2	
28	FFV4710406S	Right Pad	1	
29	FFV9001226S	Packing Case Assy	1	