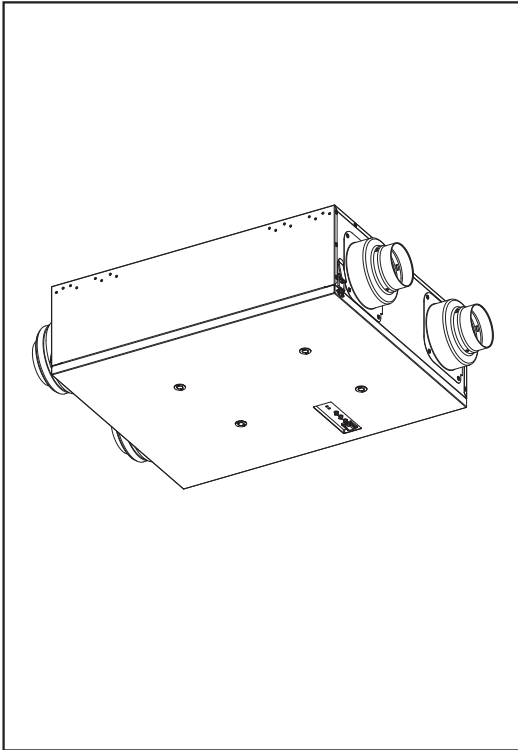


Installation and Operating Instructions Energy Recovery Ventilator

Model No. **FV-10VEC2R**
FV-10VEC2RH



CONTENTS

GENERAL SAFETY INFORMATION	2~3
DESCRIPTION	4
WIRING DIAGRAM.....	4~5
WIRING METHOD	5~6
INSTALLATION I (WALL MOUNT).....	7~8
DUCT INSTALLATION.....	8~11
INSTALLATION II (CHAIN MOUNT).....	12
START-UP PROCEDURE	13
OPERATION	13~15
MAINTENANCE.....	16~17
TROUBLESHOOTING.....	18
SPECIFICATIONS	19
PRODUCT SERVICE	BACK COVER

READ AND SAVE THESE INSTRUCTIONS

Thank you for purchasing this Panasonic product.

Please read these instructions carefully before attempting to install, operate or service the Panasonic product. Please carefully read the "GENERAL SAFETY INFORMATION" (P.2~3) of this manual before use. Failure to comply with instructions could result in personal injury or property damage. Please explain to users how to operate and maintain the product after installation, and this booklet should be presented to users.

Please retain this booklet for future reference.



GENERAL SAFETY INFORMATION

For Your Safety

To reduce the risk of injury, loss of life, electric shock, fire, malfunction, and damage to equipment or property, always observe the following safety precautions.

Explanation of symbol word panels

The following symbol word panels are used to classify and describe the level of hazard, injury, and property damage caused when the denotation is disregarded and improper use is performed.



Denotes a potential hazard that could result in death or serious injury.



Denotes a hazard that could result in minor injury.



Denotes a hazard that could result in property damage.

The following symbols are used to classify and describe the type of instructions to be observed.



This symbol is used to alert users to a specific operating procedure that must not be performed.



This symbol is used to alert users to a specific operating procedure that must be followed in order to operate the unit safely.












This symbol is used to alert users not to disassemble the equipment.



This symbol is used to alert users to make sure of grounding when using the equipment with the grounding terminal.



-  When cutting or drilling into wall or ceiling, be careful not to damage electrical wiring and other hidden utilities.
-  Solid state controls may cause harmonic distortion which can cause motor humming noise. To reduce the risk of fire or electric shock, do not use this unit with any solid-state control device.
-  Canada only: Not to be installed in a ceiling thermally insulated to a value greater than R40.
-  Never install the unit in a high humidity space, such as a bathroom, kitchen or laundry room.
-  Do not install with a method which is not approved in the instructions.
-  Do not disassemble the unit. It may cause fire or electric shock.
-  Use this unit only in the manner intended by the manufacturer. If you have any questions, contact the manufacturer.
-  Installation work and electrical wiring must be performed by qualified person(s) in accordance with all applicable codes and standards, including fire-rated construction.
-  Ducted fans must always be vented to the outdoors.

GENERAL SAFETY INFORMATION

- ⚠ Ceiling joist and wall stud must be subjected to static load more than five times the weight of the product.
- ⚠ The special-purpose or dedicated parts, such as mounting fixtures, must be used if such parts are provided.
- ⚠ Sufficient air is needed for proper combustion and exhausting of gases through the flue (chimney) of fuel burning equipment to prevent backdrafting. Follow the heating equipment manufacturer's guideline and safety standards such as those published by the National Fire Protection Association (NFPA), and the American Society for Heating Refrigeration and Air Conditioning Engineers (ASHRAE) and the local code authorities.
- ⚠ Install the unit in the area where air temperature is above 50 °F (10 °C) to avoid condensation in unit.

⚠ CAUTION

- ⊘ For general ventilating use only. Do not use to exhaust hazardous or explosive materials and vapors.
- ⊘ Do not kink the power cord.
- ⊘ Do not install the unit in the area where the air stream temperature may exceed 104 °F (40 °C).
- ⚠ The unit must be installed in a mechanical room, basement, or other conditioned space.
- ⚠ The OA duct and EA duct must be connected directly to the outside.
- ⚠ Make certain that the electric service supply voltage is AC 120 V, 60 Hz.
- ⚠ Follow all local electrical and safety codes, as well as the National Electrical Code (NEC) and the Occupational Safety and Health Act (OSHA).
- ⚠ Always disconnect the power source before working on or near the fan, motor, fixture or wiring cover.
- ⚠ Protect the power cord from sharp edges, oil, grease, hot surfaces, chemicals or other objects.
- ⚠ These fans are intended for residential use only.
- ⚠ When the product is to no longer be used, it must not be left in place but removed, to prevent it from possibly falling.
- ⚠ Disconnect power by switching off wall switch first, then main switch and unplug before working on unit when replacing the jumper cable with wall switch.

NOTICE

- ⊘ Do not install the unit where ducts are configured as shown below.



Excessive bending



Successive bending



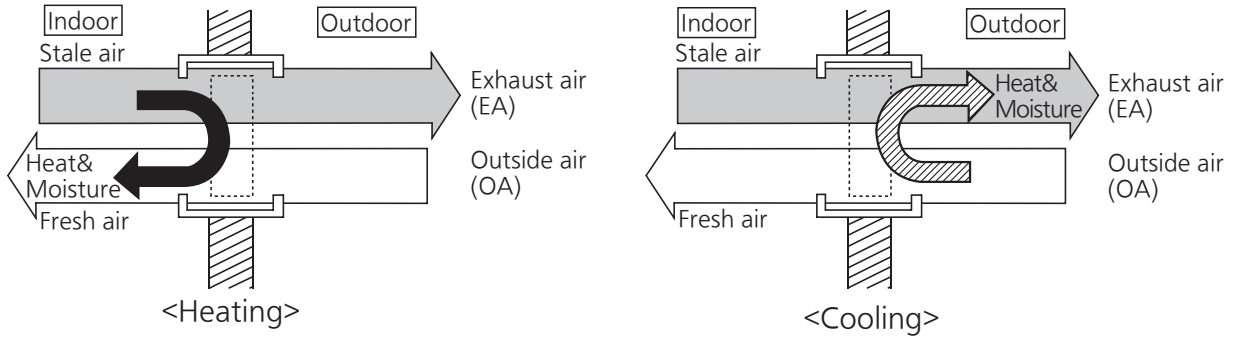
Squeezed duct



Bend close to duct adapter

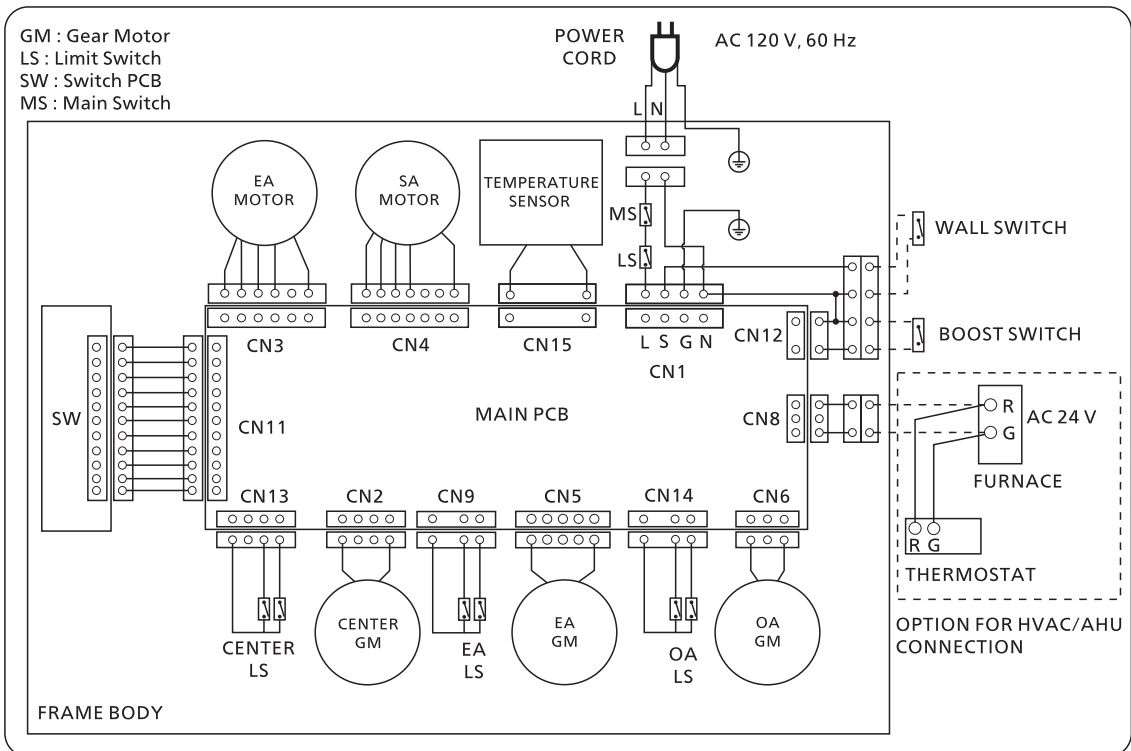
DESCRIPTION

Energy Recovery Introduction: Compared to HRV (Heat Recovery Ventilator), ERV can also transfer humidity and recover energy from that humidity. ERV can exchange energy between "stale" EA and "fresh" OA, by transferring heat and moisture into the incoming cold air, and pre-cooling and reducing the humidity of the incoming hot air. This helps maintain a fresh environment even when the heating or cooling system is not operating.



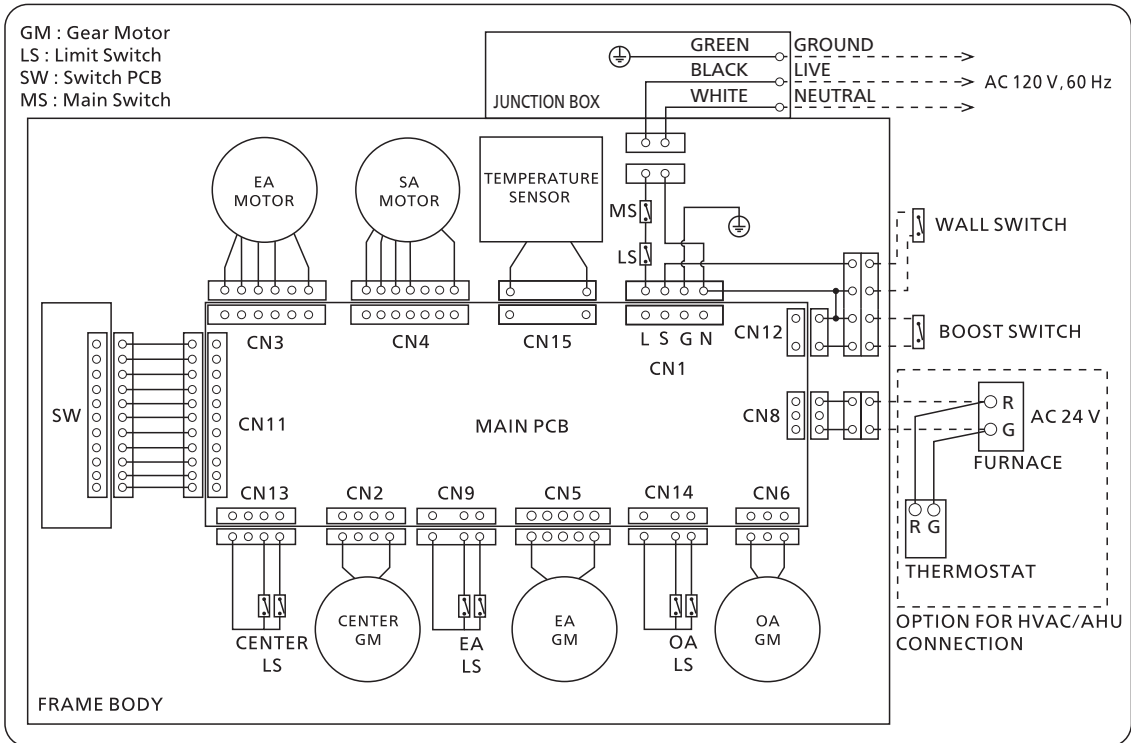
WIRING DIAGRAM

FV-10VEC2R



WIRING DIAGRAM

FV-10VEC2RH

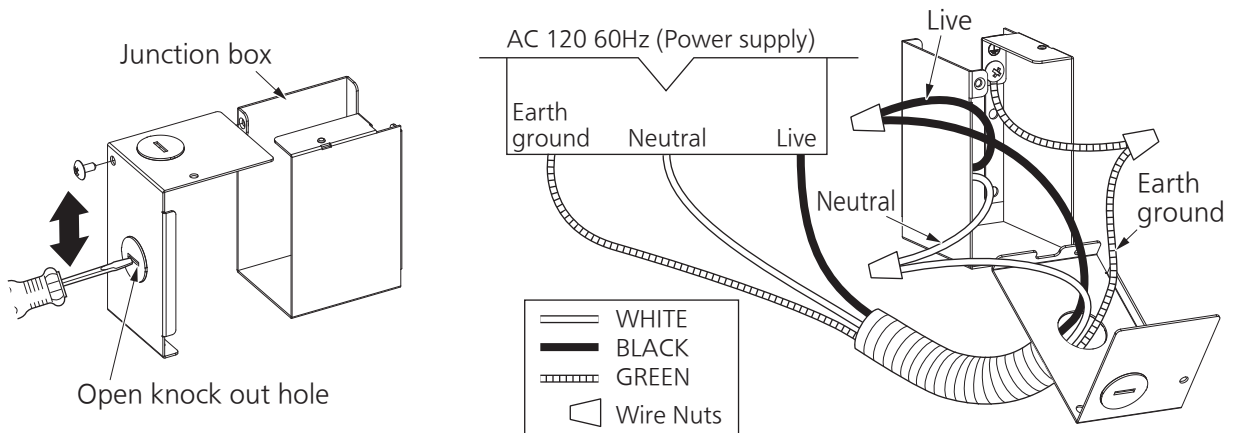


WIRING METHOD

⚠ WARNING

⚠ Installation work and electrical wiring must be performed by qualified person(s) in accordance with all applicable codes and standards, including fire-rated construction.

For FV-10VEC2RH



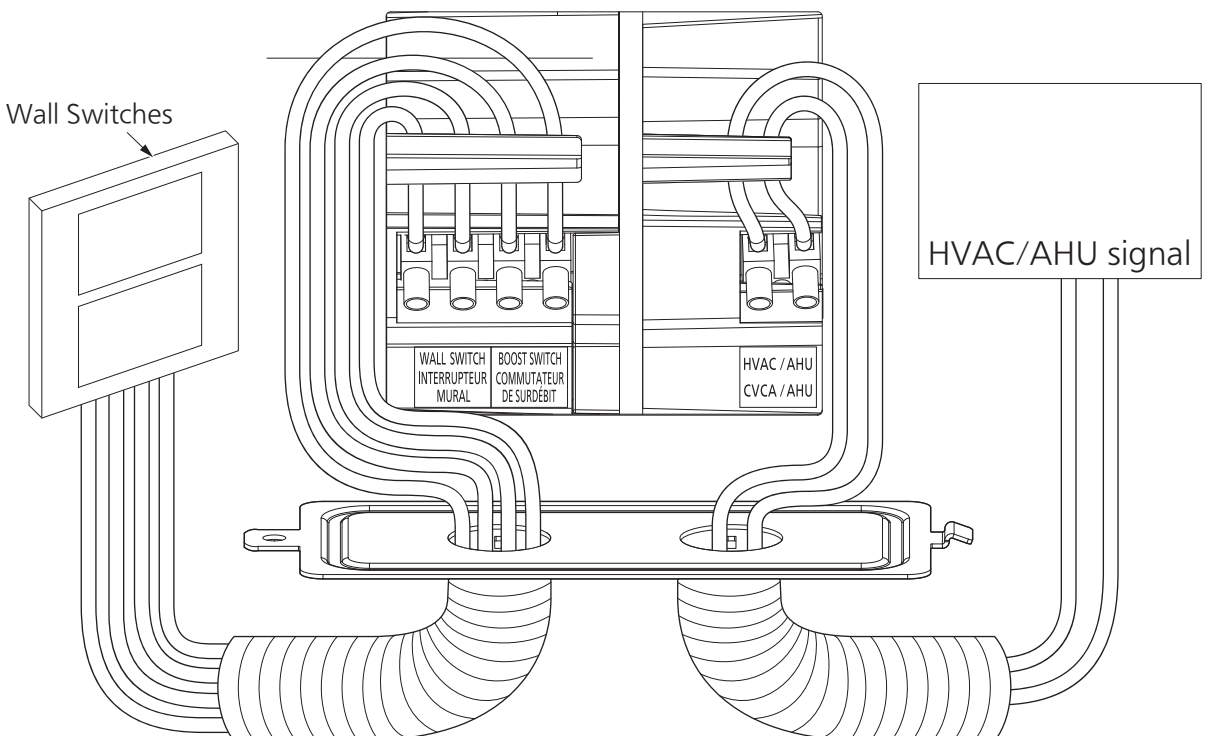
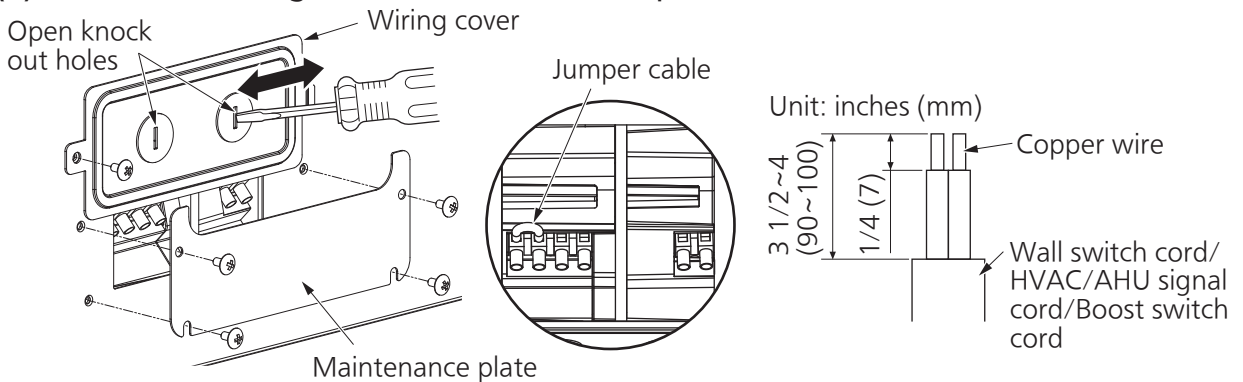
WIRING METHOD

⚠ CAUTION

⚠ The capacity of wall switch, boost switch should be more than 120 V~3 A to control the power of the product.

Note

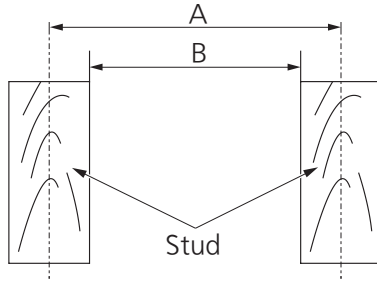
- (1) The terminal of wall switch has been connected by jumper cable as factory default. If connecting with wall switch, please remove the jumper cable.
- (2) The HVAC/AHU signal cord is optional, please connect it when you want to control the HVAC/AHU. If connecting with HVAC/AHU, the HVAC/AHU will turn on while ERV turns on.
- (3) If you are not connecting to the HVAC/AHU, please open knock-out holes for wall switch and boost switch connection only.
- (4) Insert wires into the corresponding terminals deeply through the ribs. Make sure the screw of terminal securely fastens the copper wire and the copper wire is not exposed.
- (5) Reinstall the wiring cover and maintenance plate.



INSTALLATION I (WALL MOUNT)

This method can be used in stud as below.

Unit: inches (mm)

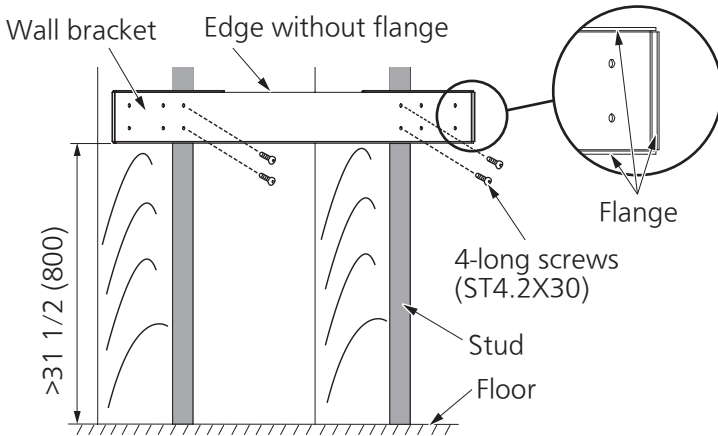


A	B
16 (406.4)	14 1/2 (368.3)
19 (482.6)	17 1/2 (444.5)
24 (609.6)	22 1/2 (571.5)

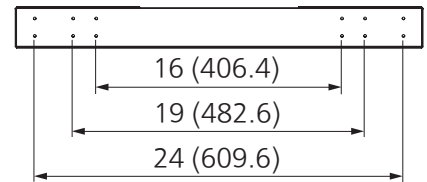
1 Mount wall bracket.

Note

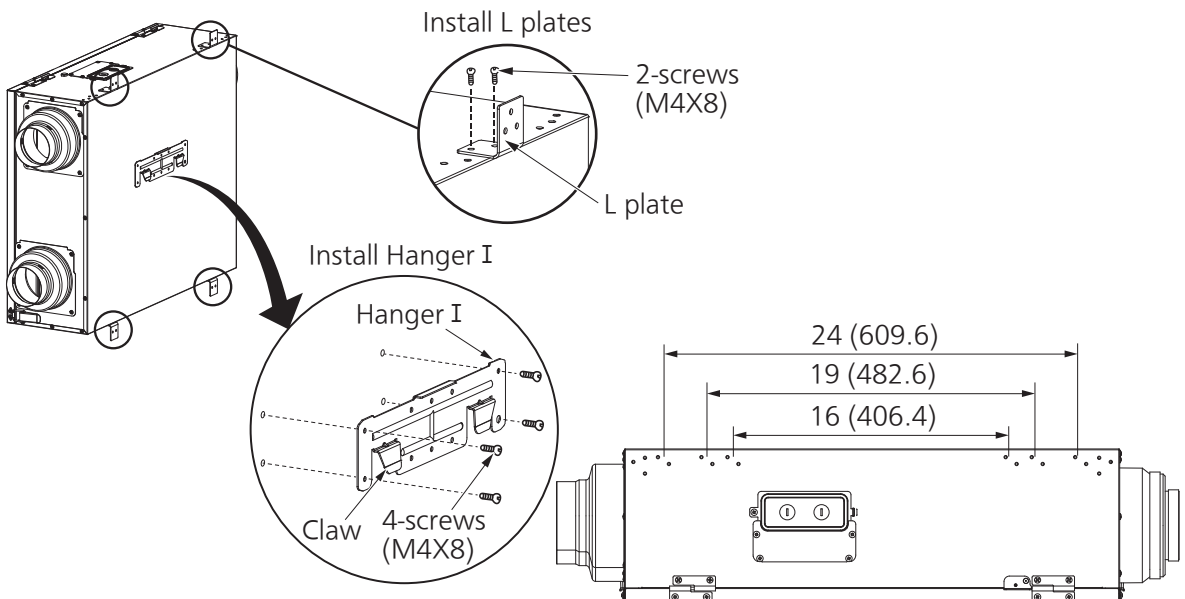
- (1) Attach with flanged edge facing outward and edge without flange facing upward when mounting wall bracket.
- (2) Choose the mounting hole on wall bracket according to the distance between studs.



Unit: inches (mm)

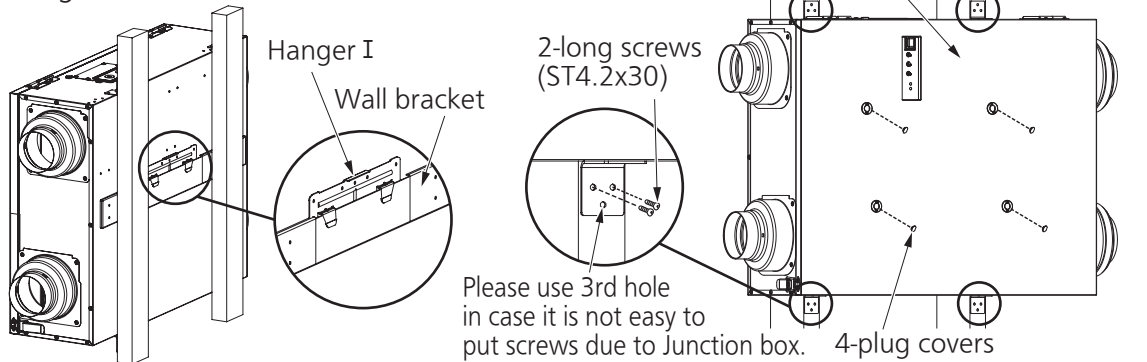


2 Mount hanger I and L plates.



INSTALLATION I (WALL MOUNT)

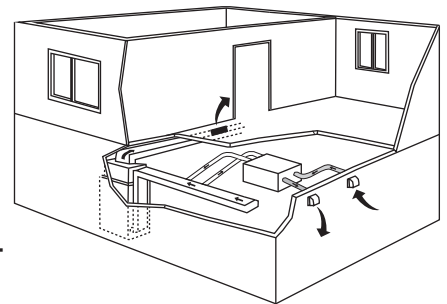
3 Hang ERV on to wall bracket.



DUCT INSTALLATION

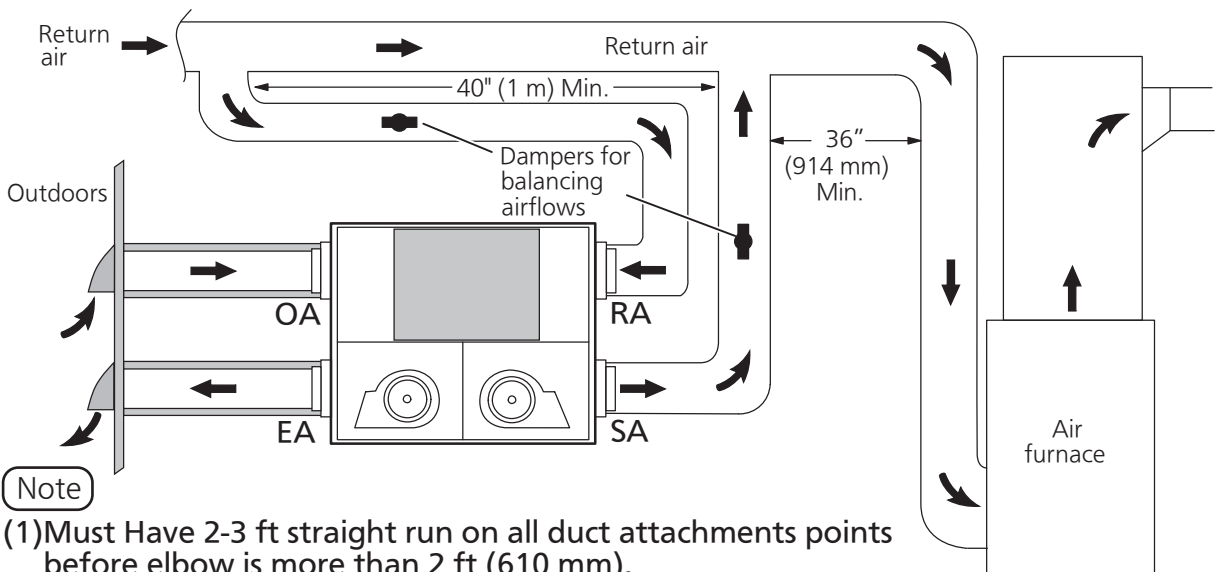
Method I - Simplified ducted installation (Return method)

This method draws return air from the return air duct of the air furnace and supplies an equal amount of outside air farther downstream into the return duct.



Note

- (1) The ERV unit must be balanced.
- (2) It is mandatory that HVAC/AHU signal cord be connected.
- (3) Check local codes and authority having jurisdiction for acceptance.



Note

- (1) Must Have 2-3 ft straight run on all duct attachments points before elbow is more than 2 ft (610 mm).
- (2) Unit is normally balanced on high speed with the furnace blower on.
- (3) A minimum separation of 40 inches (1 m) is recommended between the two direct connections.
- (4) The exhaust air connection shall be upstream of the supply air connection to prevent exhausting any fresh air.
- (5) The distance between two outdoor hoods please see P.11.
- (6) The airflow must be confirmed on site using the balancing procedures found in P.13.

DUCT INSTALLATION

Method II - Partially dedicated ducted installation

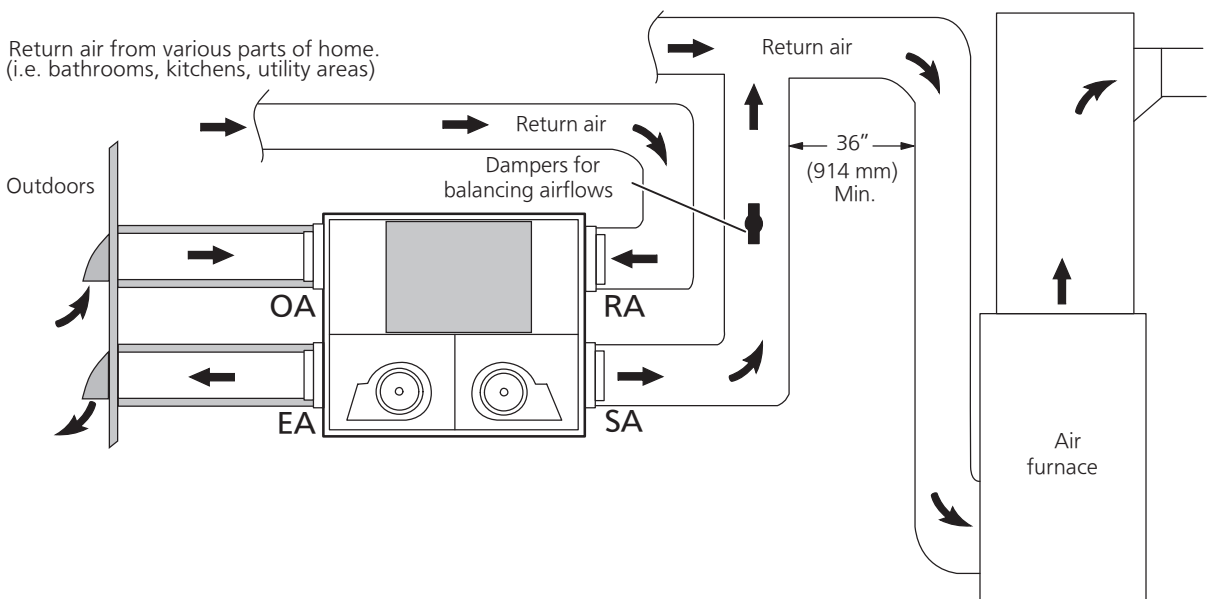
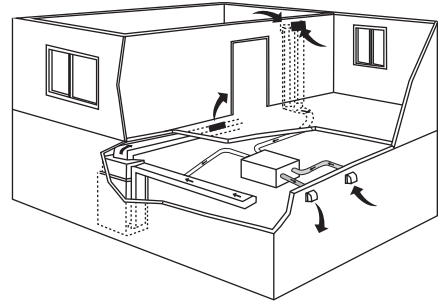
This method draws return air from specific points in the house and supplies an equal amount of outside air into the return air duct of the air furnace.

Return air ducts of ERV should be installed in areas of the home where the poorest indoor air quality exists (bathroom and kitchen).

The air furnace blower should be running when the ERV is operating to evenly distribute the outside air throughout the house.

Note

- (1)The ERV unit must be balanced.
- (2)It is mandatory that HVAC/AHU signal cord be connected.
- (3)Check local codes and authority having jurisdiction for acceptance.



Note

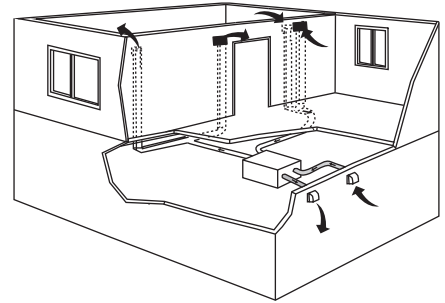
- (1)Must Have 2-3 ft straight run on all duct attachments points before elbow is more than 2 ft (610 mm).
- (2)Unit is normally balanced on high speed with the furnace blower on.
- (3)The distance between two outdoor hoods please see P.11.
- (4)The airflow must be confirmed on site using the balancing procedures found in P.13.

DUCT INSTALLATION

Method III - Fully dedicated ducted installation

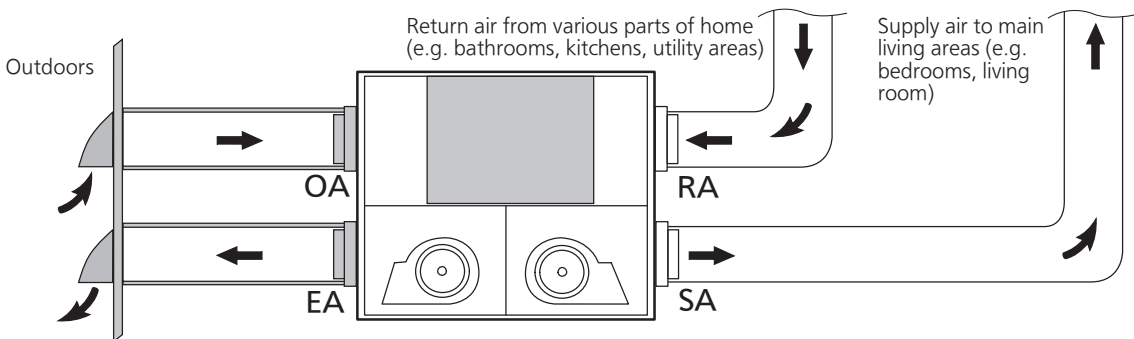
This method draws return air from specific points in the house and supplies outside air to specific locations of the house. This system is not connected to an air furnace.

Return air ducts should be installed in areas of the home where the poorest indoor air quality exists (bathroom and kitchen). Supply air ducts should be installed to all bedrooms and living areas.



Note

- (1)The ERV unit must be balanced.
- (2)Check local codes and authority having jurisdiction for acceptance.

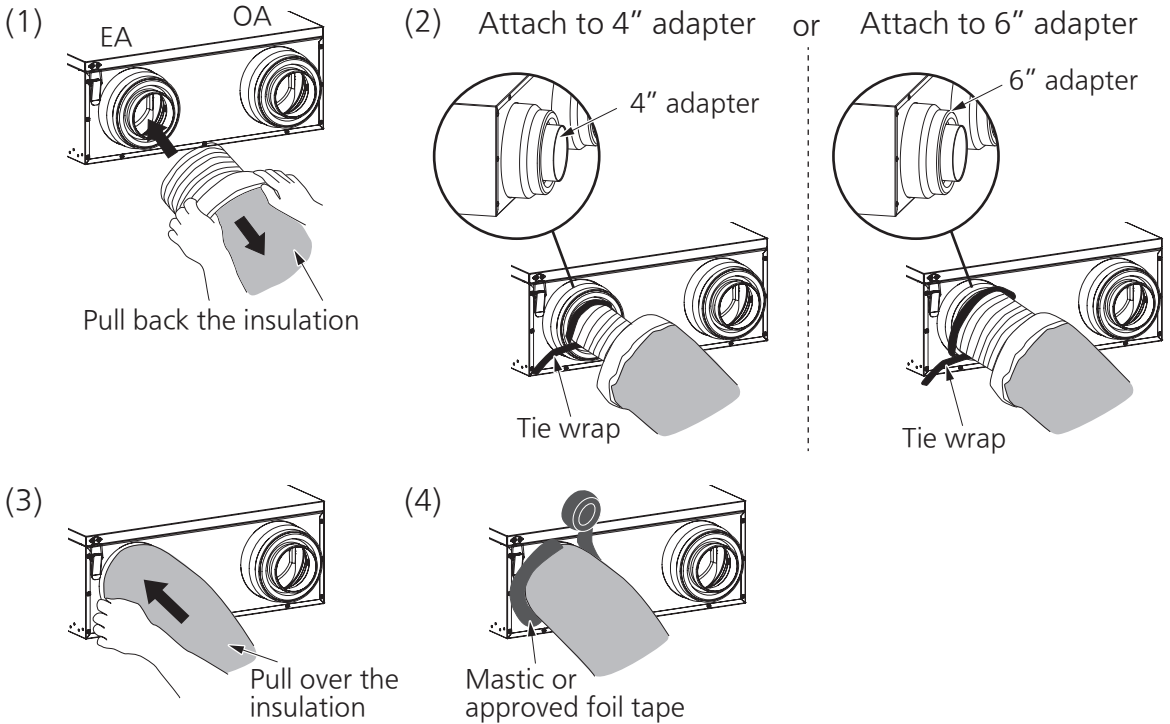


Note

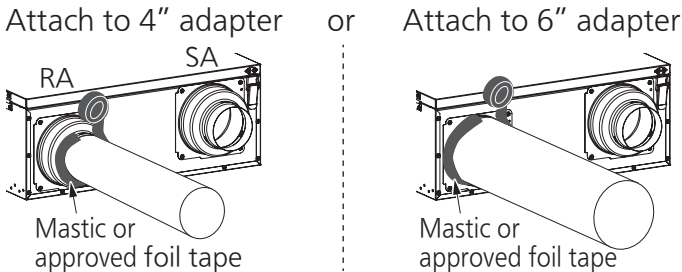
- (1)Must Have 2-3 ft straight run on all duct attachments points before elbow is more than 2 ft (610 mm).
- (2)The distance between two outdoor hoods please see P.11.
- (3)The airflow must be confirmed on site using the balancing procedures found in P.13.

DUCT INSTALLATION

1 Install insulated ducts to the OA and EA adapter.



2 Attach duct (rigid galvanized duct, etc.) to the SA and RA adapter.



To avoid transmission of vibrations, it is recommended to use a 6-inch section of flexible duct to connect rigid ducts.

3 Install outdoor hood and connect with insulated ducts.

If separate hoods are used, locate them at least 10 ft (3 m) apart.
Seal hoods with caulk or other similar material.

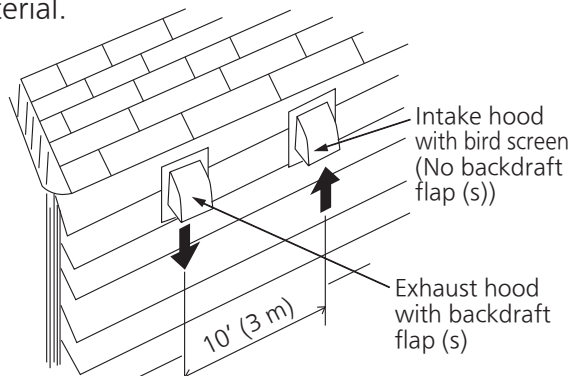
CAUTION



The intake side duct must be connected to the outside and at least 6 ft (1.8 m) away from the exhaust of appliances such as furnace, dryer, fuel burning appliances, etc.

Note

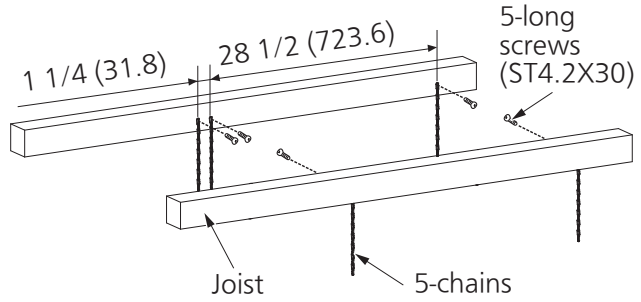
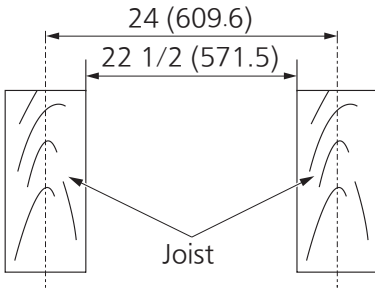
Please refer to the local codes for detail.



INSTALLATION II (CHAIN MOUNT)

This method should be used in 24" joist as below.

Unit: inches (mm)

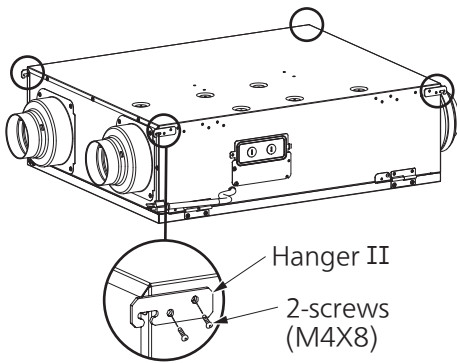


Note

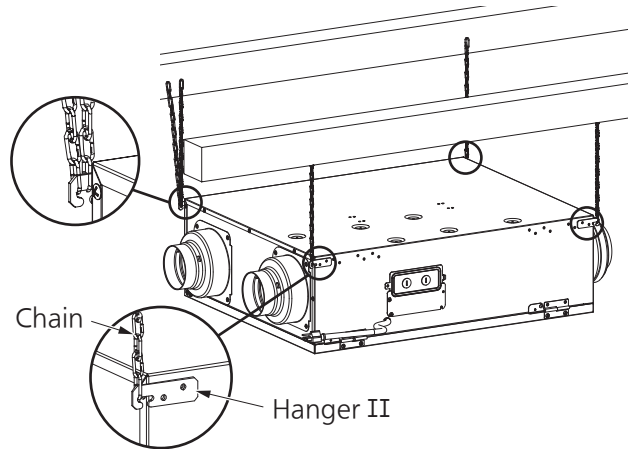
(1) The chains are not supplied.

Please purchase chains which must be subjected to the weight of 66 lbs. (30 kg) or above.

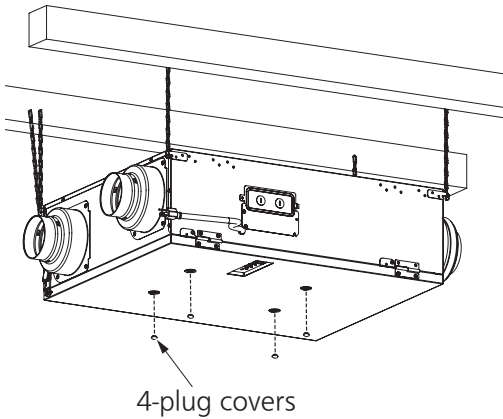
(2) Make sure ERV is horizontal after installation.



Install Hanger II



Install chains to Hanger II

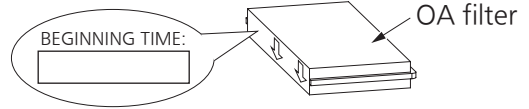


4-plug covers

Duct installation please refer to P.8~P.11

START-UP PROCEDURE

- 1 Fill in beginning time on the OA filter before starting up the unit.

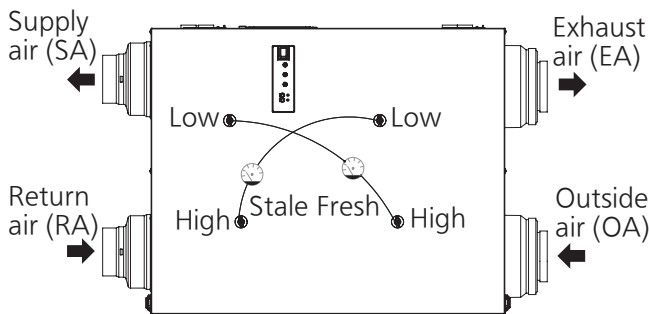


- 2 Connect the power then turn on the main switch on ERV. If the ERV does not run, please check the wiring.

- 3 Check static pressure.

Using a manometer, measure the differential pressure of fresh air and exhaust air respectively, then adjust the dampers for balancing airflows to make the test value reach the differential pressure of setting volume as shown below.

- 4 Install the plug covers back when the check is complete.



The relation between volume and differential pressure (reference)

Volume (CFM)	Differential pressure (Pa)	
	Fresh	Stale
50	30	55
60	35	65
70	45	85
80	55	115
90	65	150
100	80	180

The numbers in this table are the values after installation.

OPERATION

<Control panel>

- ① **Main switch:** Power on or off for ERV. Push the main switch completely to the on/off position when turning on/off.

Note

The unit will consume some electricity unless you turn off the main switch.

- ② **ASHRAE time knob:** The operation state will be changed with this knob. It is in units of 1 hour, for example: set to "10", 10 minutes (ON)→50 minutes (OFF)→10 minutes (ON)... cycle operation. The factory default is 60 Min/H.
- ③ **SA knob:** Set the supply air volume with this knob. The factory default is 100 CFM.
- ④ **EA knob:** Set the exhaust air volume with this knob. The factory default is 100 CFM.

Note

The SA air volume is limited less than "EA air volume + 20 CFM" when the outdoor temperature is -22 °F (-30 °C)~14 °F (-10 °C). For example, when the EA air volume setting is 50 CFM and the SA air volume setting is 100 CFM, actually the EA air volume will be 50 CFM and the SA air volume will be 70 CFM.

OPERATION

⑤ Filter indicator:

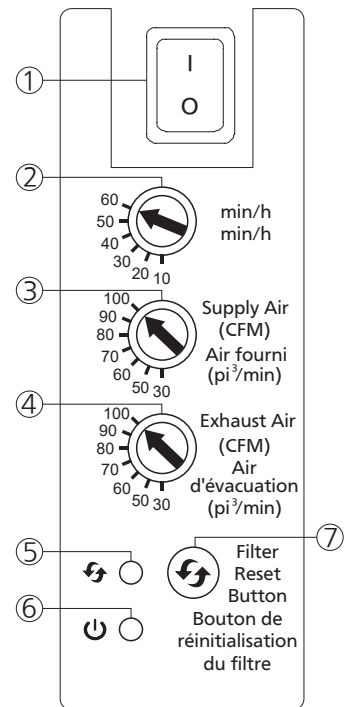
The indicator will be on when the product accumulated run time reaches to 90 days. The buzzing will sound every hour and 10 seconds in a hour.

Note

If you want to turn off the the indication of buzzer, please press filter reset button about 3 seconds until there is the sound of a long beep. Press filter reset button about 3 seconds again until there is sound of two quick beeps, the buzzer indication will be turned on again.

⑥ **Running indicator:** When the indicator is on, indicates the product is running.

⑦ **Filter reset button:** Press the button after filter maintenance for resetting accumulated running time.



The ERV will run as below:

Setting	State						
	ON		ON		ON	OFF	
MAIN SWITCH	CONNECTED	-	CONNECTED	-	-	CONNECTED	-
JUMPER CABLE	-	ON	-	ON	OFF	-	ON/OFF
WALL SWITCH	ON		OFF		ON/OFF	ON/OFF	
BOOST SWITCH	10~60		10~60		10~60	10~60	
ASHRAE TIME SWITCH (min/h)	30, 50~100		30, 50~100		30, 50~100	30, 50~100	
SA SWITCH (CFM)	30, 50~100		30, 50~100		30, 50~100	30, 50~100	
EA SWITCH (CFM)	ERV enforces the following instructions ASHRAE: 60 min/h SA:100 CFM EA:100 CFM		ERV restores setting instructions of customer ASHRAE: 10~60 min/h SA:30, 50~100 CFM EA:30, 50~100 CFM		Standby	Product is power off.	

For example: when main switch and wall switch are ON, suppose the customer to set as ASHRAE:50 min/h, SA:90 CFM, EA:90 CFM, when boost switch is ON, ERV enforces the instructions ASHRAE:60 min/h, SA:100 CFM, EA:100 CFM; when boost switch is OFF, ERV restores setting instructions of customer ASHRAE:50 min/h, SA:90 CFM, EA:90 CFM;

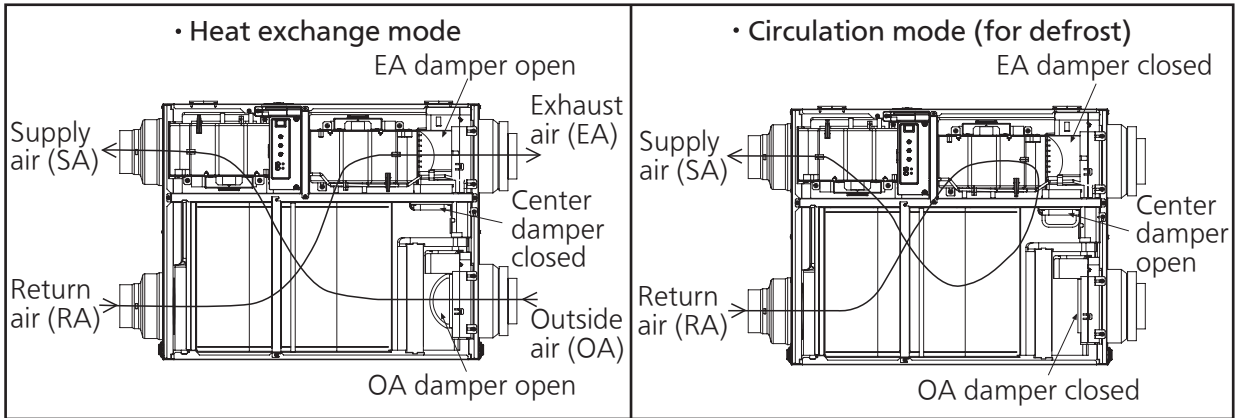
Note

It's better that the product is operated for 24 hours in order to prevent from being frozen.

OPERATION

<Operation mode>

FV-10VEC2R and FV-10VEVC2RH are recommended for areas where temperature is -22 °F (-30 °C)~104 °F (40 °C).



When the ASHRAE timer is set to 60 min/h or the boost switch is on.
 (The operation time of air exchange mode depends on the ASHRAE timer setting, and it is automatically set to 60 min/h when the boost switch is on.)

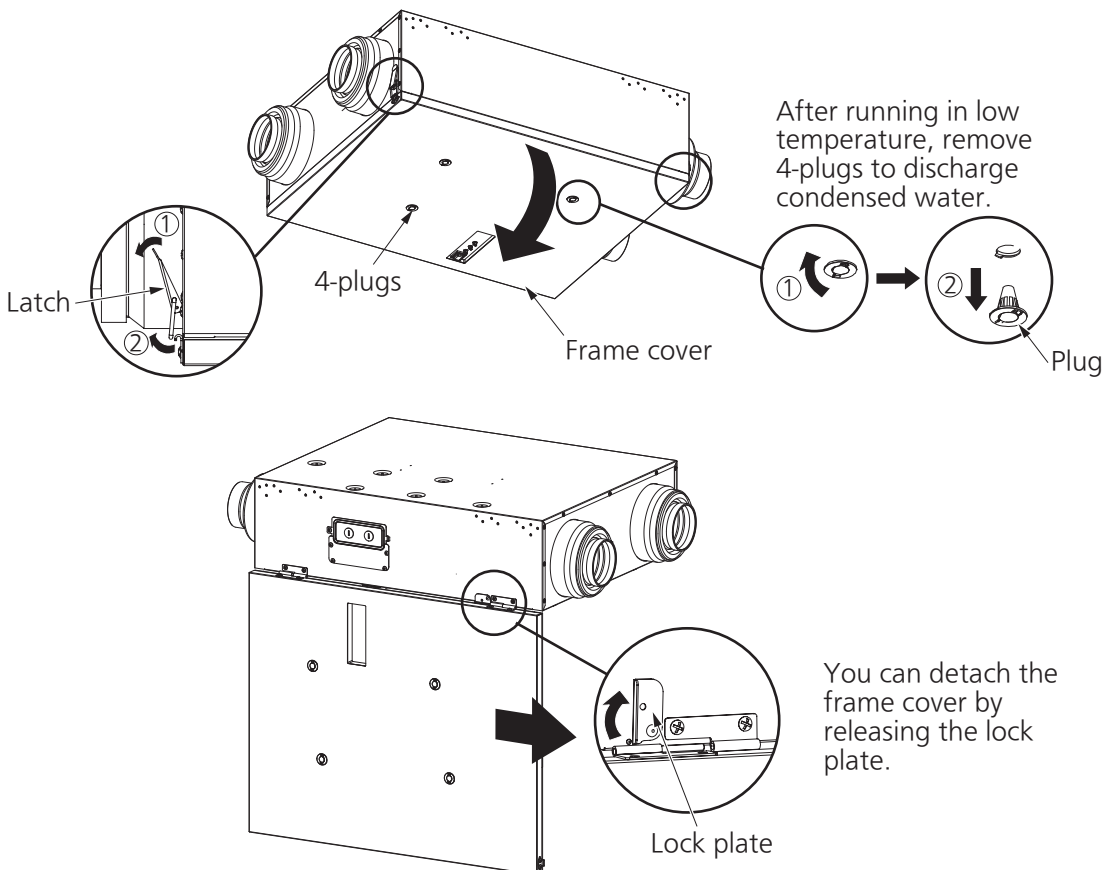
Outdoor temp.	Operation mode and time (min)	Legend
>14 °F (-10 °C)	...	Heat exchange mode
14 °F (-10 °C)~ 5 °F (-15 °C)	...	Circulation mode
5 °F (-15 °C)~ -4 °F (-20 °C)	...	Stop operating
-4 °F (-20 °C)~ -17 °F (-27 °C)	...	Repetition
-17 °F (-27 °C)~ -22 °F (-30 °C)	...	
≤-22 °F (-30 °C)	... 4 9 47	

MAINTENANCE

CAUTION

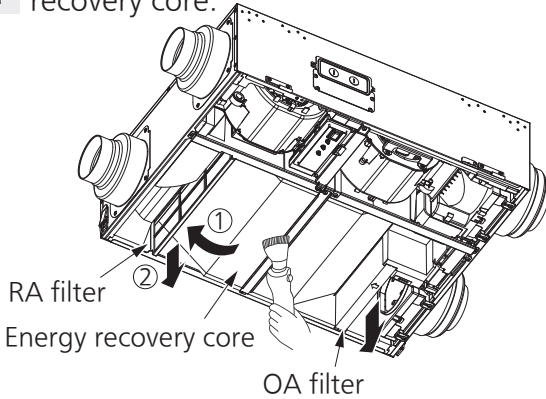
- ❗ Electric shock may result. Disconnect power by switching off main switch first, then unplug before working on unit when it is in default mode.
- ❗ Electric shock may result. Disconnect power by switching off wall switch first, then main switch and unplug before working on unit when replacing the jumper cable with wall switch.
- ❗ Routine maintenance must be performed every 2 or 3 months, clogged filters may cause condensation on the unit due to air flow reduction.
- ❗ Please wear gloves to avoid pinching fingers during maintenance.
- ❗ Please pay attention to dust, condensation water or parts that may drop down when the frame cover is opened.
- ⊘ Never use petrol, benzene, thinner or any other such chemicals to clean the ERV.
- ⊘ Do not allow water to enter ERV.
- ⊘ Do not immerse resin parts in water over 60 °C.

- 1 Open the frame cover by unlocking the latches.

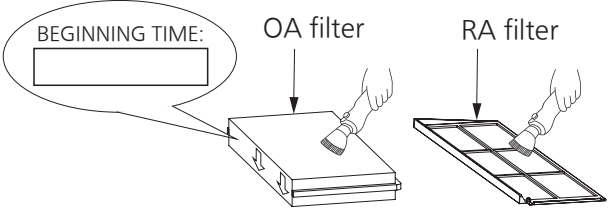


MAINTENANCE

- 2** Clean the OA filter, RA filter and energy recovery core.

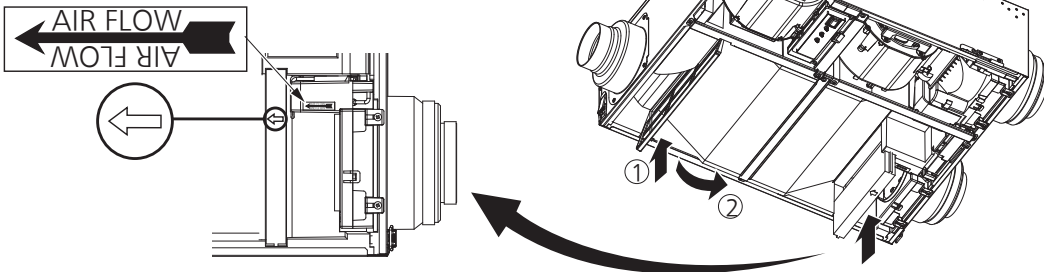


It is suggested to replace the OA filter every 6 months. Please fill in beginning time on new OA filter before replacing. Please replace OA filter by Panasonic Model FV-FL0810VE1 or FV-FL1310VE1.



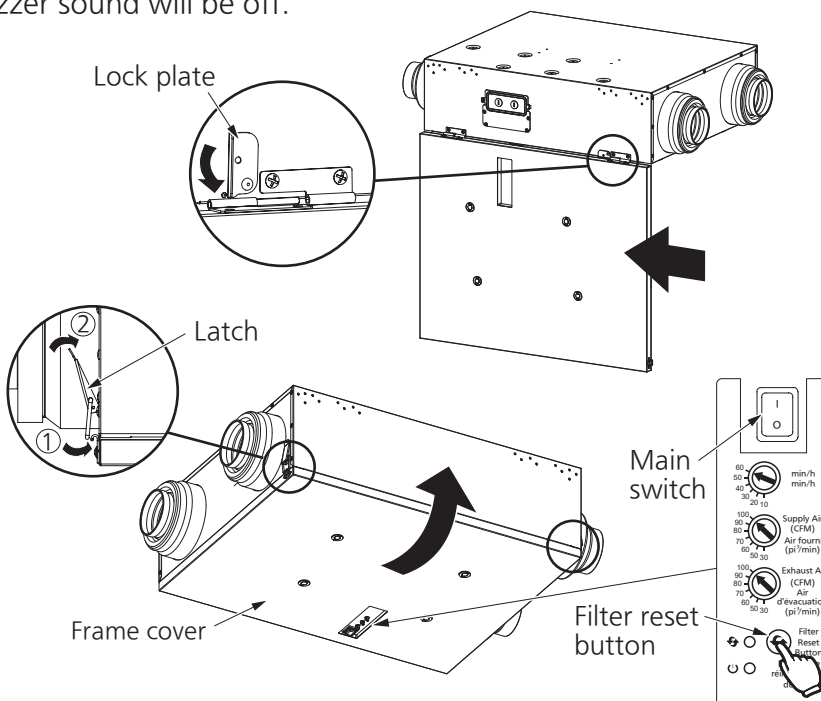
- 3** Reinstall the filters.

Make sure the direction of the arrow on the OA filter is correct.



- 4** Reinstall and close frame cover by locking the latches, then reset the lock plate.

- 5** Connect power, press filter reset button with sound of beep, then filter indicator and buzzer sound will be off.



TROUBLESHOOTING

If a problem is encountered, please investigate it by going through the following items. If the problem still persists, please disconnect the power and contact the dealer for repair.

Problem	Display		Action
	Running indicator (Green)	Filter indicator (Red)	
1.The ERV doesn't work.	Off	Off	<ul style="list-style-type: none"> ■ Check the power is connected. ■ Check the frame cover is closed. ■ Check the main switch in product body is on. ■ Check if the spring on the inside of frame cover is damaged or deformed.
	On	Off	<ul style="list-style-type: none"> ■ ERV running interval according to the ASHRAE time setting. ■ When outdoor temperature is low ($\leq -22\text{ }^{\circ}\text{F}$ ($-30\text{ }^{\circ}\text{C}$), ERV stops operating automatically. ■ Damper may be frozen shut, please wait for maximum 24 hours for defrosting.
2.The HVAC/AHU doesn't work when ERV works.	On	Off	<ul style="list-style-type: none"> ■ Please disconnect the power and contact the dealer to check the HVAC/AHU wiring connect.
3.Buzzer sound (10 sec in a hour) and ERV works.	On	On	<ul style="list-style-type: none"> ■ The RA filter and OA filter need to be maintained. If you do not want the buzzer notification, please long press the filter reset button for 3 sec to cancel it.
4.Buzzer sound (30 sec in a hour) and ERV doesn't work.	Blink* (0.5 s)	Off	<ul style="list-style-type: none"> ■ SA motor error, please disconnect the power and contact the dealer for repair.
	Blink* (2 s)	Off	<ul style="list-style-type: none"> ■ EA motor error, please disconnect the power and contact the dealer for repair.
	Off	Blink* (0.5 s)	<ul style="list-style-type: none"> ■ OA damper error, please disconnect the power and contact the dealer for repair.
	Off	Blink* (2 s)	<ul style="list-style-type: none"> ■ EA damper error, please disconnect the power and contact the dealer for repair.
	Off	Blink* (4 s)	<ul style="list-style-type: none"> ■ Center damper error, please disconnect the power and contact the dealer for repair.
	Blink* (0.5 s)	On	<ul style="list-style-type: none"> ■ Temperature sensor error, please disconnect the power and contact the dealer for repair.
	On	Blink* (0.5 s)	<ul style="list-style-type: none"> ■ PCB board error, please disconnect the power and contact the dealer for repair.
5.ERV doesn't work base on the setting air volume.	On	Off	<ul style="list-style-type: none"> ■ When product runs in circulation mode for defrosting, the air volume will be more than setting and sound will be slightly louder than normal operation. ■ When outdoor temperature is less than $14\text{ }^{\circ}\text{F}$ ($-10\text{ }^{\circ}\text{C}$), the product will restrict air volume automatically to protect energy recovery core.

*The time under "Blink" means the frequency of blink.

SPECIFICATIONS

<Ventilation Performance>

Model No.	Air direction	Voltage (V)	Frequency (Hz)	Duct	Static pressure	Net air flow (CFM)		Power consumption (W)	Weight lb.(kg)
						Exhaust	Supply	Fan unit	
FV-10VEC2R FV-10VEC2RH	Exhaust & Supply	120	60	4"/6"	0.1"WG	100	100	81	50 (22.4)
					0.4"WG	100	100	90	

<Energy Performance>

Model No.	Mode	Supply temperature		Net air flow		Power consumption (W)	Sensible recovery efficiency	Adjusted sensible recovery efficiency	Net moisture transfer
		°F	°C	L/s	CFM				
FV-10VEC2R FV-10VEC2RH	Heating	32	0	25	53	29	80%	83%	0.78
		32	0	31	66	39	77%	81%	0.74
		32	0	40	85	68	73%	77%	0.71
		-13	-25	27	57	77	65%	67%	0.71
	-13	-25	30	64	100	56%	60%	0.58	
Cooling	Total recovery efficiency								
	95	35	23	49	32	60%			
	95	35	31	66	42	55%			

To ensure quiet operation of the ENERGY STAR certified H/ERV, each product model must be installed using sound attenuation techniques appropriate for the installation.

The way your heat/energy-recovery ventilator is installed can make a significant difference to the electrical energy you use. To minimize the electricity use of the heat/energy-recovery ventilator, a stand-alone fully ducted installation is recommended. If you choose a simplified installation that operates your furnace air handler for room-to-room ventilation, an electrically efficient furnace that has an electronically commutated (EC) variable speed blower motor will minimize your electrical energy consumption and operating cost.

Installation of a user-accessible control with your product model will improve comfort and may significantly reduce the product model's energy use.

This product earned the ENERGY STAR® by meeting strict energy efficiency guidelines set by NaturalResources Canada and the US EPA. This product meets ENERGY STAR requirements only when used in Canada.



PRODUCT SERVICE

Warning Concerning Removal of Covers.

The unit should be serviced by qualified technicians only.

Your product is designed and manufactured to ensure a minimum of maintenance.

Should your unit require service or parts, call Panasonic Call Center at 1-866-292-7299 (USA) or 1-800-669-5165 (Canada).

Panasonic Corporation of North America

Two Riverfront Plaza, Newark, NJ 07102

www.panasonic.com

Panasonic Canada Inc.

5770 Ambler Drive, Mississauga, Ontario L4W 2T3

www.panasonic.com

© Panasonic Corporation 2023-2024

Printed in Mexico

Issue date:01/2024

P0523-2014 10C2RH450B-EN