

FV-0510VS1  
FV-0810VSS1  
FV-0510VSC1

FV-0510VSL1  
FV-0810VSSL1  
FV-0510VSSL1

## WhisperValue® DC™ Ventilation Fans and Fan/Lights

- Revolutionary ECM motor with SmartFlow™ technology for optimum CFM output
- Pick-A-Flow™ Speed Selector – one fan, you choose the CFM (50<sup>1</sup>, 80 or 100 CFM)
- Optional built-in Multi-Speed Control for ASHRAE 62.2 compliance<sup>2</sup>
- Optional built-in Condensation Sensor to control moisture in the bathroom<sup>3</sup>
- Lighted models incorporate one 10W dimmable LED chip panel with <1W LED night light for warm, energy efficient illumination (night light must be wired separately)
- 3-3/8" Housing Depth – lowest profile ENERGY STAR® fan available – fits anywhere!
- Unique L-Shaped bracket simplifies installation and provides strong support
- UL approved for ceiling or wall mount (actually fits in a 2 x 4 stud wall)
- Wall Installation reduces cost by eliminating the need to incorporate a radiation damper when penetrating fire rated ceilings, making it ideal for Multi-Family applications
- Can be used to comply with ASHRAE 62.2, LEED, IAP, California Title 24, CALGreen<sup>4</sup> and WA Ventilation Code

### ADDITIONAL BENEFITS

- 24 gauge steel, fire code rated 4" oval to 3" round duct adapter, sold separately (model # FV-VS43R)
- Transfer Register Box (model # FV-JD, sold separately), provides room-to-room powered circulation with ductless heat pumps
- UL listed for use with the Panasonic Ceiling Radiation Damper (model # PC-RD05C5)
- UL listed for tub/shower enclosure when GFCI protected
- Warranty<sup>5</sup>: 6 years ECM Motor, 5 years LED, 3 years all other parts

<sup>1</sup> 50 CFM option not included in FV-0810VSS1 and FV-0810VSSL1

<sup>2</sup> FV-0810VSS1 and FV-0810VSSL1 only

<sup>3</sup> FV-0510VSC1 and FV-0510VSSL1 only

<sup>4</sup> FV-0510VSC1 and FV-0510VSSL1 only, or when other WhisperValue DC models are combined with a Panasonic Condensation Sensor Plus (FV-WCCS1-W/A or FV-WCCS2-W/A)

<sup>5</sup> One year additional fan or fan/light warranty available when WhisperValue DC is controlled by a Panasonic Condensation Sensor Plus.

# Installed Performance



## ECM Motor with SmartFlow™ Technology

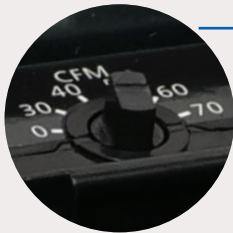
WhisperValue® DC™ is designed to perform as rated. When the fan senses static pressure, its speed is automatically increased to ensure optimal CFM output. This feature provides peace of mind, as the installer doesn't have to worry about compromising the fan's performance, even with a complicated duct run.



## Pick-A-Flow Speed Technology

Built-in Pick-A-Flow speed selector provides the unique ability to select your required airflow (50-80-100 CFM) with the simple flip of a switch.

## Optional Built-In Controls



### Multi-Speed for ASHRAE 62.2 Compliance

(FV-0810VSS1 and FV-0810VSSL1 only)

**Multi-Speed for ASHRAE 62.2 Compliance** allows you to select the proper CFM settings to satisfy ASHRAE 62.2 continuous ventilation requirements. The fan runs continuously at a preset lower level (0, 30-70, in 10 CFM increments), then elevates to a maximum level of operation (80 or 100 CFM) when the wall switch is turned on.



### Condensation Sensor

(FV-0510VSC1 and FV-0510VSSL1 only)

**Condensation Sensor** helps control bathroom condensation to prevent mold and mildew. Sensor technology detects relative humidity and temperature to anticipate dew point, automatically turning the fan on to control humidity. Built-in Relative Humidity (RH) sensitivity adjustment enables fine tuning for moist conditions and for satisfying CALGreen requirements. The fan will run for 20 minutes before turning off.



## LED Lighting

WhisperValue® DC™ fan/light models feature a contemporary flush mount grille that incorporates one 10W Dimmable LED chip panel with <1W LED night light for warm, energy efficient illumination. Panel specifications include: 3000 Kelvin Warm White/90CRI/700 lumens/70 LPW/ENERGY STAR 2.0 certified/50,000 hours rated average life.

### WhisperValue® DC™ to WhisperValue®/ WhisperValue® Lite™ Cross Reference

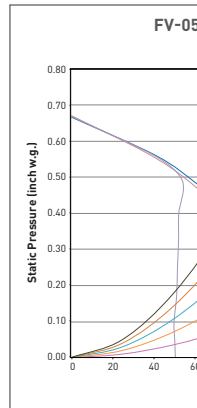
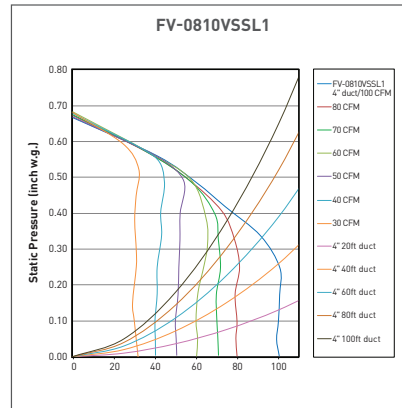
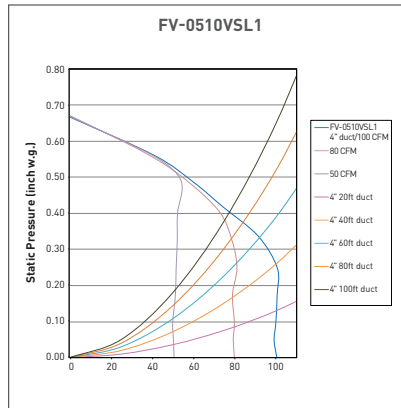
	WhisperValue® DC™		WhisperValue®/ WhisperValue® Lite™	
	New Model #	Description	Discontinued Model #	Description
Fan Only	FV-0510VS1	Fan Only, 50-80-100 CFM	FV-05VS3	Fan Only, 50 CFM
			FV-08VS3	Fan Only, 80 CFM
			FV-10VS3E	Fan Only, 100 CFM
	FV-0510VSC1	Fan Only, 50-80-100 CFM, Condensation Sensor	N/A	N/A
FV-0810VSS1	Fan Only, 80-100 CFM, Multi-Speed for ASHRAE 62.2	N/A	N/A	
Fan/LED Light	FV-0510VSL1	Fan/LED Light, 50-80-100 CFM	FV-08VSL3	Fan/CFL Light, 80 CFM
			FV-10VSL3E	Fan/CFL Light, 100 CFM
	FV-0510VSSL1	Fan/LED Light, 50-80-100 CFM, Condensation Sensor	N/A	N/A
	FV-0810VSSL1	Fan/LED Light, 80-100 CFM, Multi-Speed for ASHRAE 62.2	N/A	N/A
Contractor Packs	FV-0510VSA1	FV-0510VS1 Housing Can	FV-05-10VSA3	Universal Housing Can
	FV-0510VSB1	FV-0510VS1 Motor/Grille Assembly, 50-80-100 CFM	FV-05VSB3	Motor/Grille Assembly, 50 CFM
			FV-08VSB3	Motor/Grille Assembly, 80 CFM
			FV-10VSB3E	Motor/Grille Assembly, 100 CFM

# WhisperValue® DC™

VENTILATION FAN



FV-0510VSL1  
FV-0810VSSL1  
FV-0510VSCL1



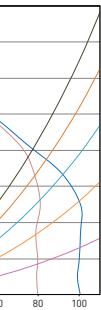
## WhisperValue® DC™ 4" Oval Duct (Fan/LED Light)

SPECIFICATIONS		FV-0510VSL1							
	Duct Diameter (Inches)	4 Oval		4 Oval		4 Oval		4 Oval	
Characteristics (HVI tested data for 0.1" S.P.)	Static Pressure in inches w.g.	0.1	0.25	0.1	0.25	0.1	0.25	0.1	0.25
	Air Volume (CFM)	100	101	80	81	50	52	100	101
	Noise (sones)	0.9	1.3	0.4	0.8	<0.3	0.5	0.9	1.3
	Power Consumption (watts)	12.4	18.0	8.5	13.2	4.5	7.7	12.4	18.0
	Energy Efficiency (CFM/Watt)	8.2	5.7	10.0	6.5	12.1	7.3	8.2	5.7
	Speed (RPM)	954	1176	856	1114	733	1050	954	1176
	Current (amps)	0.18	0.25	0.13	0.20	0.08	0.13	0.18	0.25
	MAX. Current (amps)	0.39							
Specifications	Power Rating (V/Hz)	120/60							
	Motor Type	ECM							
	Type of Motor Bearing	Ball							
	Thermal Fuse Protection	Yes							
	Blower Wheel Type	Sirocco							
	ENERGY STAR Qualified	Yes							
Installation	Duct Diameter (Inches)	4 Oval							
	Mounting Opening (Inches sq.)	10-1/2							
	Grille Size (Inches sq.)	13							
Light Specifications	Lamp Watts	10.0							
	Lumens (lm)	700							
	Lumens Per Watt (LPW)	70							
	Color Rendering Index	90							
	Color Temperature (Kelvin)	3,000							
	Rated Life (hours)	50,000							
	Lamp Model #	N/A							
Type of Lamp Socket	LED chip								
Night Light Specs	Night Light Watts	0.2							
Shipping	Gross Weight (lbs)	9.9							
Approved Code/Standard/Regulation	UL tub/Shower Enclosure	Yes							
	Washington VIAQ Code	Yes							
	California Title 24 Compliant	Yes							
	Mfg in ISO 9001 Certified Facility	Yes							

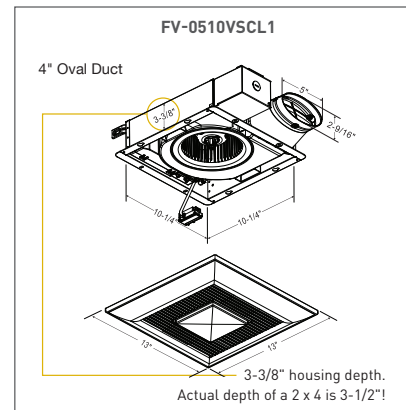
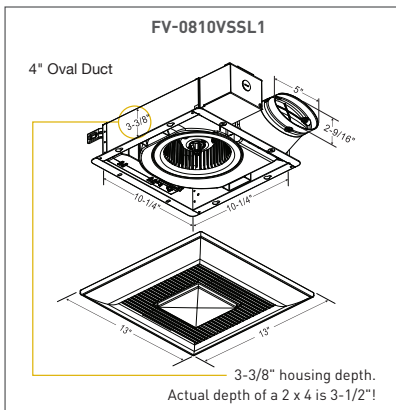
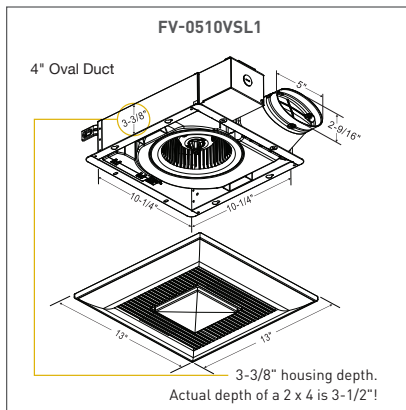


\*As tested by an EPA recognized lab **NOTE: 0.25" w.g. = INSTALLED PERFORMANCE**

10VSSL1



- FV-0510VSSL1
- 4" duct/100 CFM
- 80 CFM
- 50 CFM
- 4" 20ft duct
- 4" 40ft duct
- 4" 60ft duct
- 4" 80ft duct
- 4" 100ft duct



ht Models)

FV-0810VSSL1												FV-0510VSSL1					
4 Oval		4 Oval		4 Oval		4 Oval		4 Oval		4 Oval		4 Oval		4 Oval		4 Oval	
0.1	0.25	0.1	0.25	0.1	0.25	0.1	0.25	0.1	0.25	0.1	0.25	0.1	0.25	0.1	0.25	0.1	0.25
80	81	70	72	60	64	50	52	40	41	30	31	100	101	80	81	50	52
0.4	0.8	<0.3	0.6	<0.3	0.6	<0.3	0.5	<0.3	0.5	<0.3	0.5	0.9	1.3	0.4	0.8	<0.3	0.5
8.5	13.2	6.5	10.8	5.3	9.3	4.5	7.7	3.8	6.7	3.4	6.0	12.4	18.0	8.5	13.2	4.5	7.7
0.0	6.5	11.2	6.9	11.8	7.2	12.1	7.3	11.8	6.9	10.2	6.0	8.2	5.7	10.0	6.5	12.1	7.3
856	1114	805	1088	770	1076	733	1050	723	1037	711	1033	954	1176	856	1114	733	1050
1.13	0.20	0.10	0.16	0.09	0.15	0.08	0.13	0.07	0.11	0.06	0.10	0.18	0.25	0.13	0.20	0.08	0.13
0.39												0.39					
120/60												120/60					
ECM												ECM					
Ball												Ball					
Yes												Yes					
Sirocco												Sirocco					
Yes												Yes					
4 Oval												4 Oval					
10-1/2												10-1/2					
13												13					
10.0												10.0					
700												700					
70												70					
90												90					
3,000												3,000					
50,000												50,000					
N/A												N/A					
LED Chip												LED chip					
0.2												0.2					
9.9												9.9					
Yes												Yes					
Yes												Yes					
Yes												Yes					
Yes												Yes					



**Panasonic Eco Solutions of North America  
Eco Products Division**

Two Riverfront Plaza  
Newark, NJ 07102

[us.panasonic.com/ventfans](http://us.panasonic.com/ventfans)

**For Order Information**

PHONE: 866-292-7299

FAX: 888-553-0723

[ventfans@us.panasonic.com](mailto:ventfans@us.panasonic.com)

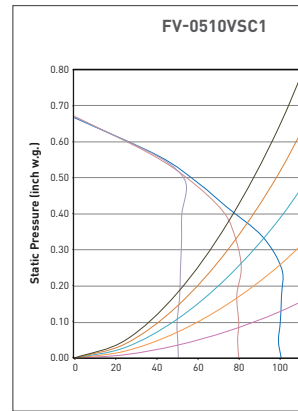
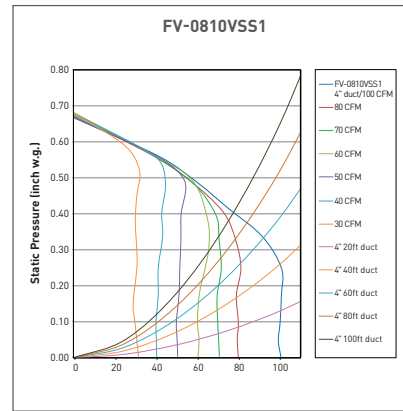
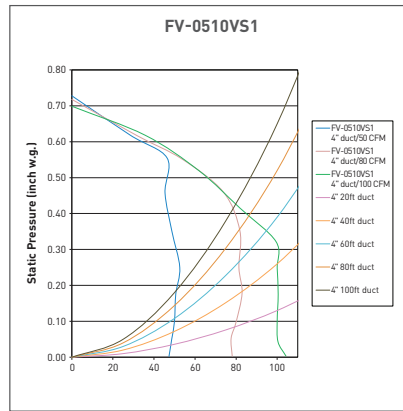
VF17278SS

# High Performing, Code Compliant Multi-Family Solution

**WhisperValue<sup>®</sup> DC™**  
VENTILATION FAN



FV-0510VS1  
FV-0810VSS1  
FV-0510VSC1



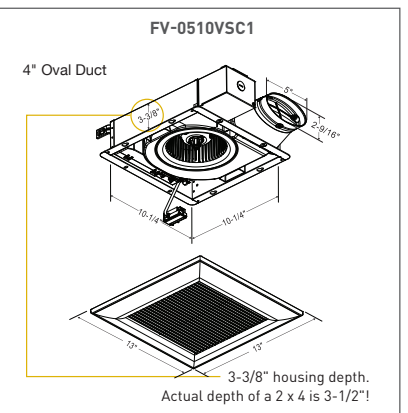
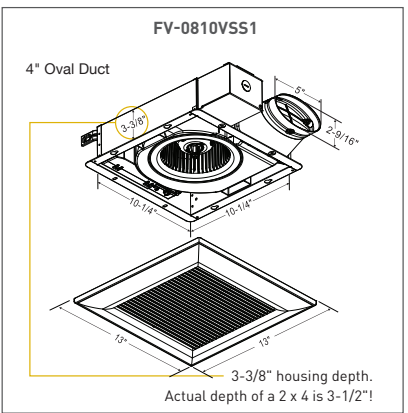
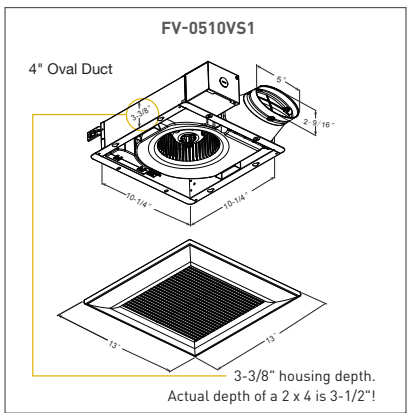
SPECIFICATIONS		FV-0510VS1									
		4 Oval		4 Oval		4 Oval		4 Oval		4 Oval	
Characteristics (HVI tested data for 0.1" S.P.)	Duct Diameter (Inches)	0.1	0.25	0.1	0.25	0.1	0.25	0.1	0.25	0.1	0.25
	Static Pressure in inches w.g.	100	100	80	81	50	53	100	101	80	81
	Air Volume (CFM)	0.9	1.3	0.4	0.8	<0.3	0.5	0.9	1.3	0.4	0.8
	Noise (sones)	11.1	16.0	7.2	11.5	4.4	7.5	12.4	18.0	8.5	13.0
	Power Consumption (watts)	9.2	6.4	11.4	7.2	12.8	7.9	8.2	5.7	10.0	6.4
	Energy Efficiency (CFM/Watt)	902	1121	797	1070	708	1025	954	1176	856	1121
	Speed (RPM)	0.20	0.27	0.13	0.20	0.09	0.14	0.18	0.25	0.13	0.20
	Current (amps)	MAX. Current (amps) 0.39									
Specifications	Power Rating (W/Hz)	120/60									
	Motor Type	ECM									
	Type of Motor Bearing	Ball									
	Thermal Fuse Protection	Yes									
	Blower Wheel Type	Sirocco									
Installation	ENERGY STAR Qualified	Yes									
	Duct Diameter (Inches)	4 Oval									
	Mounting Opening (Inches sq.)	10-1/2									
Light Specifications	Grille Size (Inches sq.)	13									
	Lamp Watts	N/A									
	Lumens (lm)	N/A									
	Lumens Per Watt (LPW)	N/A									
	Color Rendering Index	N/A									
	Color Temperature (Kelvin)	N/A									
	Rated Life (hours)	N/A									
Night Light Specs	Lamp Model #	N/A									
	Type of Lamp Socket	N/A									
Shipping	Night Light Watts	N/A									
Approved Code/Standard/Regulation	Gross Weight (lbs)	8.8									
	UL tub/Shower Enclosure	Yes									
	Washington VIAQ Code	Yes									
	California Title 24 Compliant	Yes									
	Mfg in ISO 9001 Certified Facility	Yes									



\*As tested by an EPA recognized lab

NOTE: 0.25" w.g. = INSTALLED PERFORMANCE

- FV-0510VSC1
- 4" duct/100 CFM
- 80 CFM
- 50 CFM
- 4" 20ft duct
- 4" 40ft duct
- 4" 60ft duct
- 4" 80ft duct
- 4" 100ft duct



**WhisperValue® DC™ 4" Oval Duct (Fan Only Models)**

FV-0810VSS1											FV-0510VSC1						
	4 Oval		4 Oval		4 Oval		4 Oval		4 Oval		4 Oval		4 Oval		4 Oval		
	0.1	0.25	0.1	0.25	0.1	0.25	0.1	0.25	0.1	0.25	0.1	0.25	0.1	0.25	0.1	0.25	
25																	
31	70	72	60	64	50	52	40	41	30	31	100	101	80	81	50	52	
38	<0.3	0.6	<0.3	0.6	<0.3	0.5	<0.3	0.5	<0.3	0.5	0.9	1.3	0.4	0.8	<0.3	0.5	
3.2	6.5	10.8	5.3	9.3	4.5	7.7	3.8	6.7	3.4	6.0	12.4	18.0	8.5	13.2	4.5	7.7	
5	11.2	6.9	11.8	7.2	12.1	7.3	11.8	6.9	10.2	6.0	8.2	5.7	10.0	6.5	12.1	7.3	
14	805	1088	770	1076	733	1050	723	1037	711	1033	954	1176	856	1114	733	1050	
20	0.10	0.16	0.09	0.15	0.08	0.13	0.07	0.11	0.06	0.10	0.18	0.25	0.13	0.20	0.08	0.13	
	0.39										0.39						
	120/60										120/60						
	ECM										ECM						
	Ball										Ball						
	Yes										Yes						
	Sirocco										Sirocco						
	Yes										Yes						
	4 Oval										4 Oval						
	10-1/2										10-1/2						
	13										13						
	N/A										N/A						
	N/A										N/A						
	N/A										N/A						
	N/A										N/A						
	N/A										N/A						
	N/A										N/A						
	N/A										N/A						
	N/A										N/A						
	9.0										9.0						
	Yes										Yes						
	Yes										Yes						
	Yes										Yes						
	Yes										Yes						