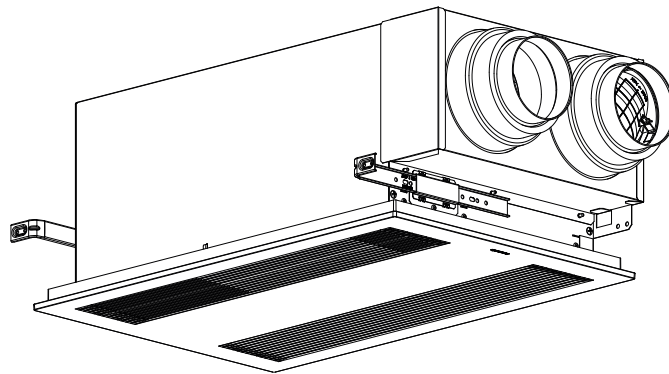


Service Manual

Energy Recovery Ventilator

FV-06VE1



⚠ WARNING

This service information is designed for experienced repair technicians only and is not designed for use by the general public. It does not contain warnings or cautions to advise non-technical individual of potential dangers in attempting to service a product. Products powered by electricity should be serviced or repaired only by experienced professional technicians. Any attempt to service or repair the product or products dealt with in this service information by anyone else could result in serious injury or death.

IMPORTANT SAFETY NOTICE

There are special components used in this equipment which are important for safety. These parts are marked by ⚠ in the Schematic Diagrams, Exploded Views and Replacement Part List. It is essential that these critical parts are replaced with manufacturer's specified parts to prevent shock, fire or other hazards. Do not modify the original design without permission the manufacturer. We suggest to handles such parts after the static electricity prevention. It is forbidden to touch the PCB parts by bare hands during the repairing process.

CONTENTS	PAGE
1.Specifications -----	1
2.Parts Identification-----	2~6
3.Wiring Diagram-----	7
4.Parts List-----	8~10

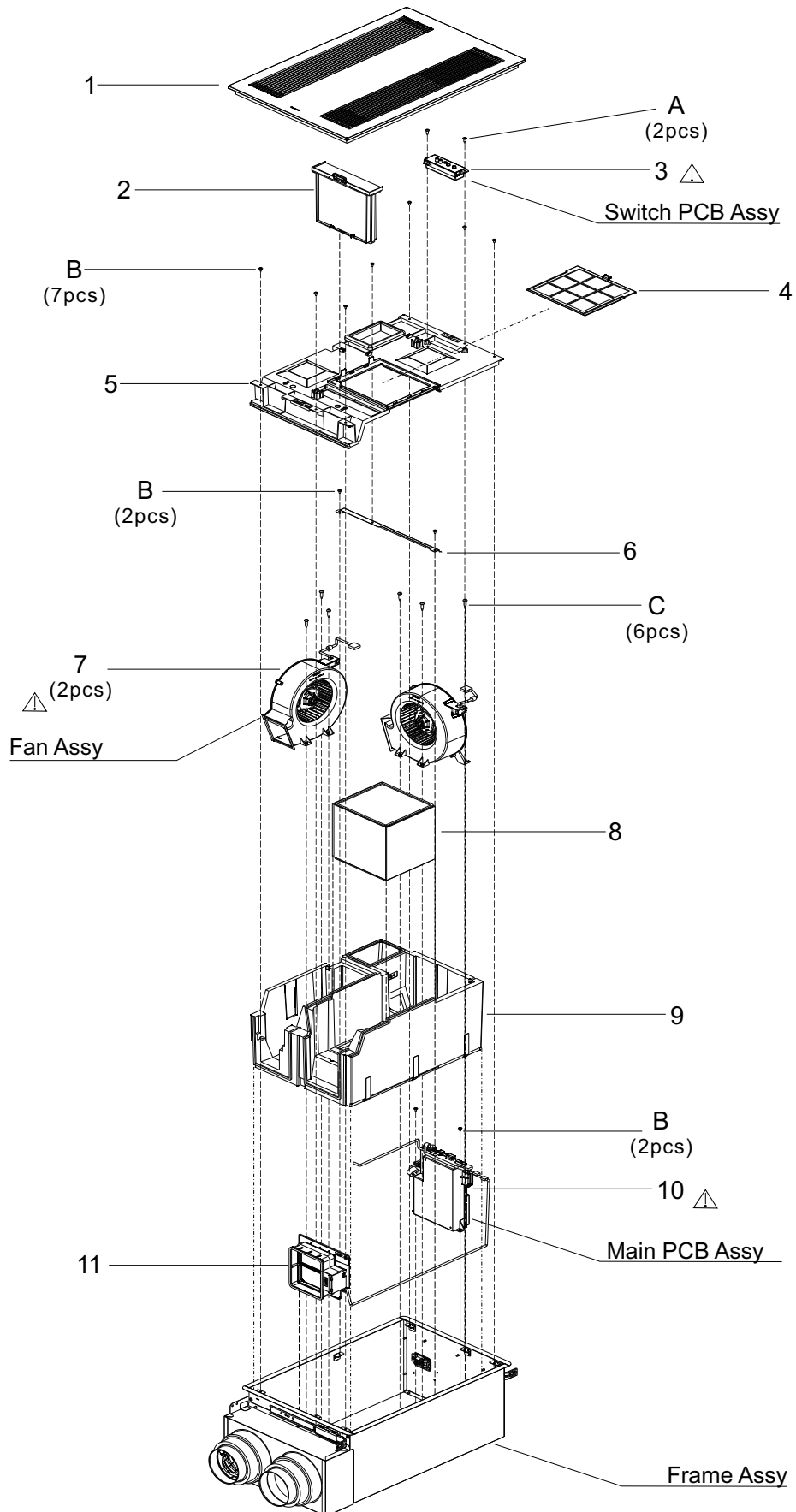
1. Specifications

Model No.	Supply Temperature Température d'alimentation		Net Air Flow Flux d'air net		Power Consumption Puissance		Sensible Recovery Efficiency Efficacité de récupération sensible	Adjusted Sensible Recovery Efficiency Efficacité de récupération sensible ajustée	Net Moisture Transfer Transfert net d'humidité
	°F	°C	L/s	CFM	W				
FV-06VE1	32	0	9	20	9		70%	73%	0.70
	32	0	28	60	39		60%	63%	0.50
	SP	CFM	Sones	CFM	Sones	CFM	Sones		
	0.1"	60	2.5	50	1.5	40	0.9		
	0.25"	54	2.5	43	2.0	30	1.2		

2. Parts Identification

FV-06VE1

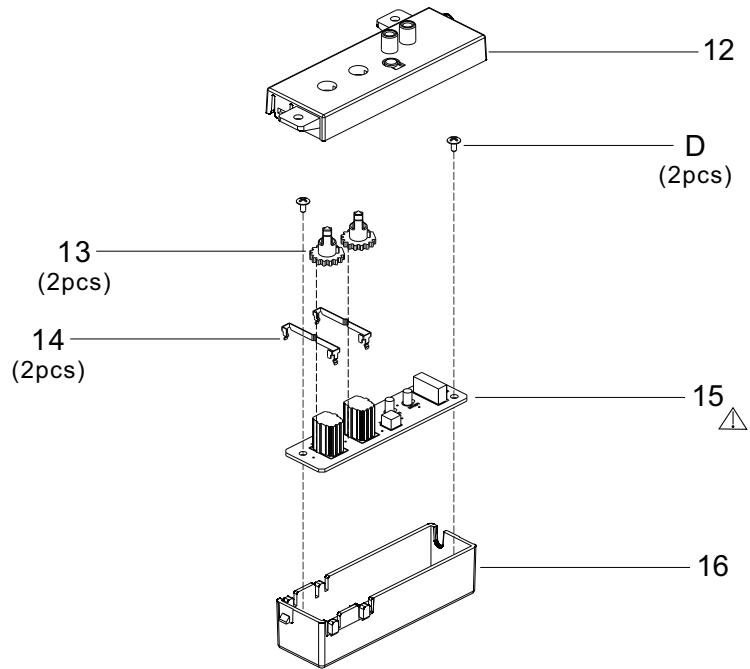
Main Body



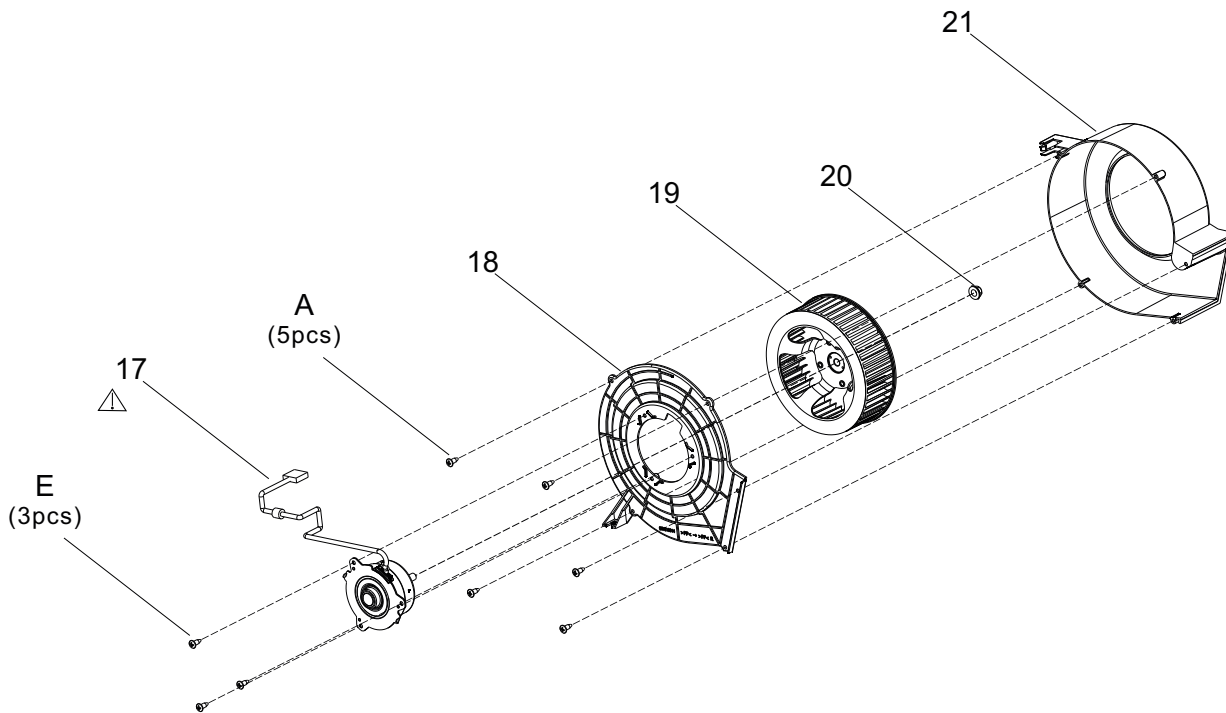
2. Parts Identification

FV-06VE1

Switch PCB Assy



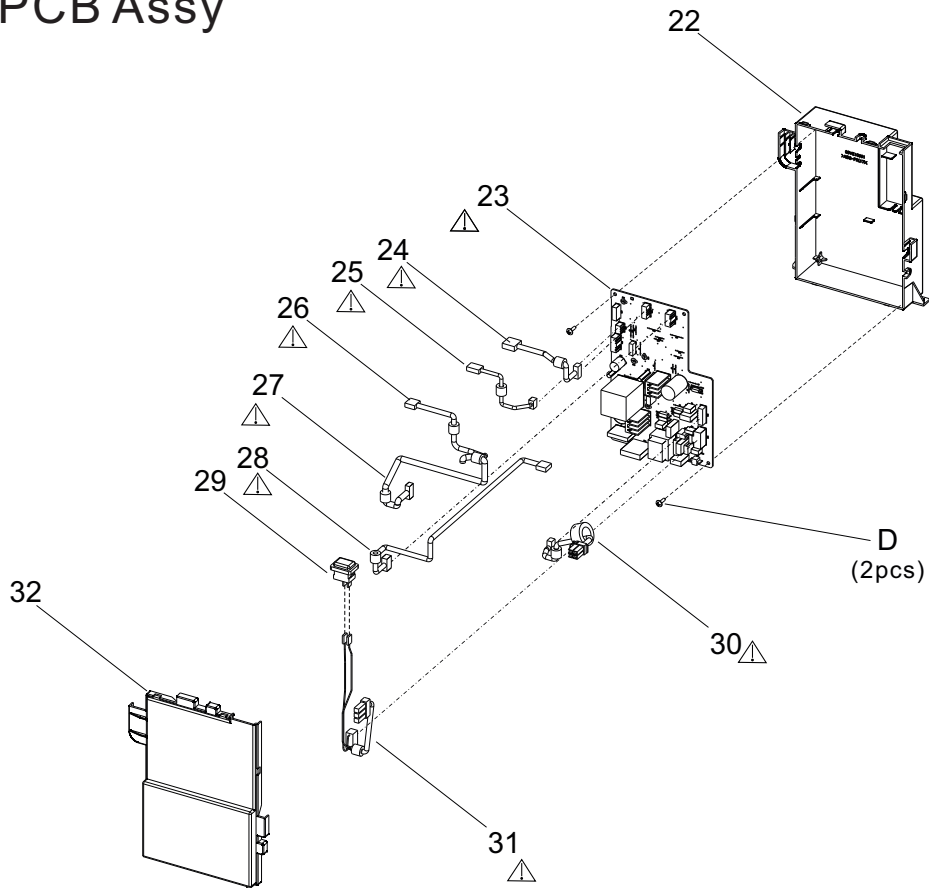
Fan Assy.



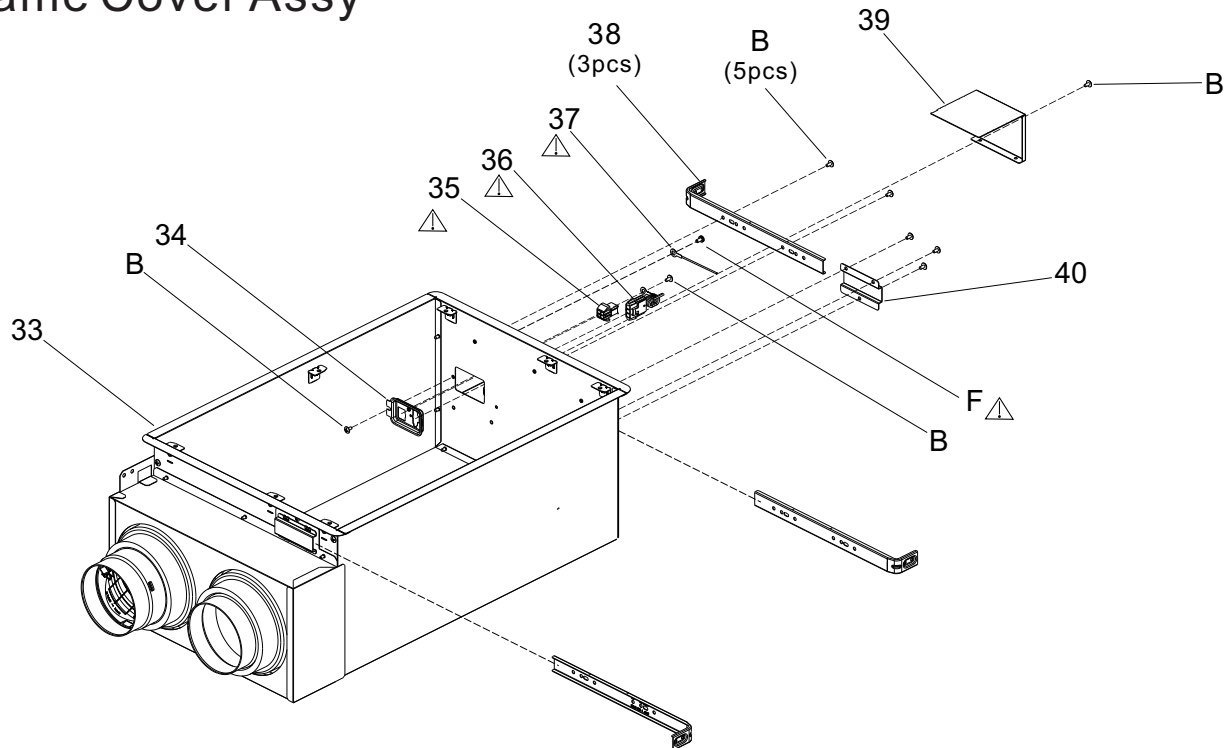
2. Parts Identification

FV-06VE1

Main PCB Assy



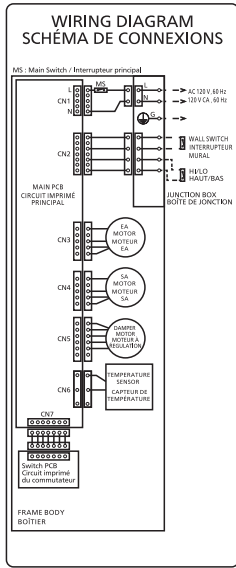
Frame Cover Assy



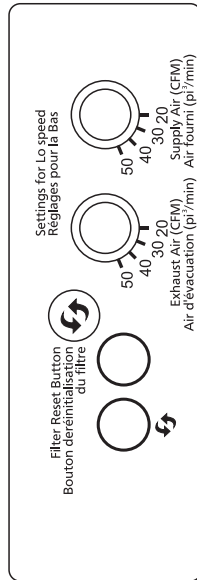
2. Parts Identification

FV-06VE1

MAIN LABEL



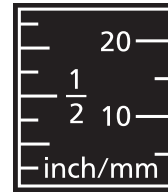
41



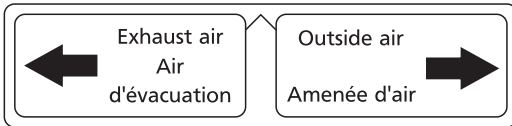
42



43



44



45

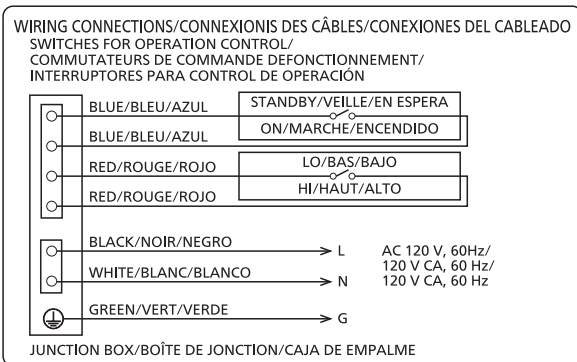
WARNING

- Turn off Main Switch when not in use.
- Push the switch completely to the ON/OFF position.
- For cleaning or servicing, disconnect the power source at service panel.

AVERTISSEMENT

- Eteindre l'interrupteur principal lorsque l'appareil est hors marche.
- Pousser complètement l'interrupteur à sa position ON/OFF.
- Pour tout nettoyage ou entretien, débrancher la source d'alimentation au panneau d'entretien.

46



47

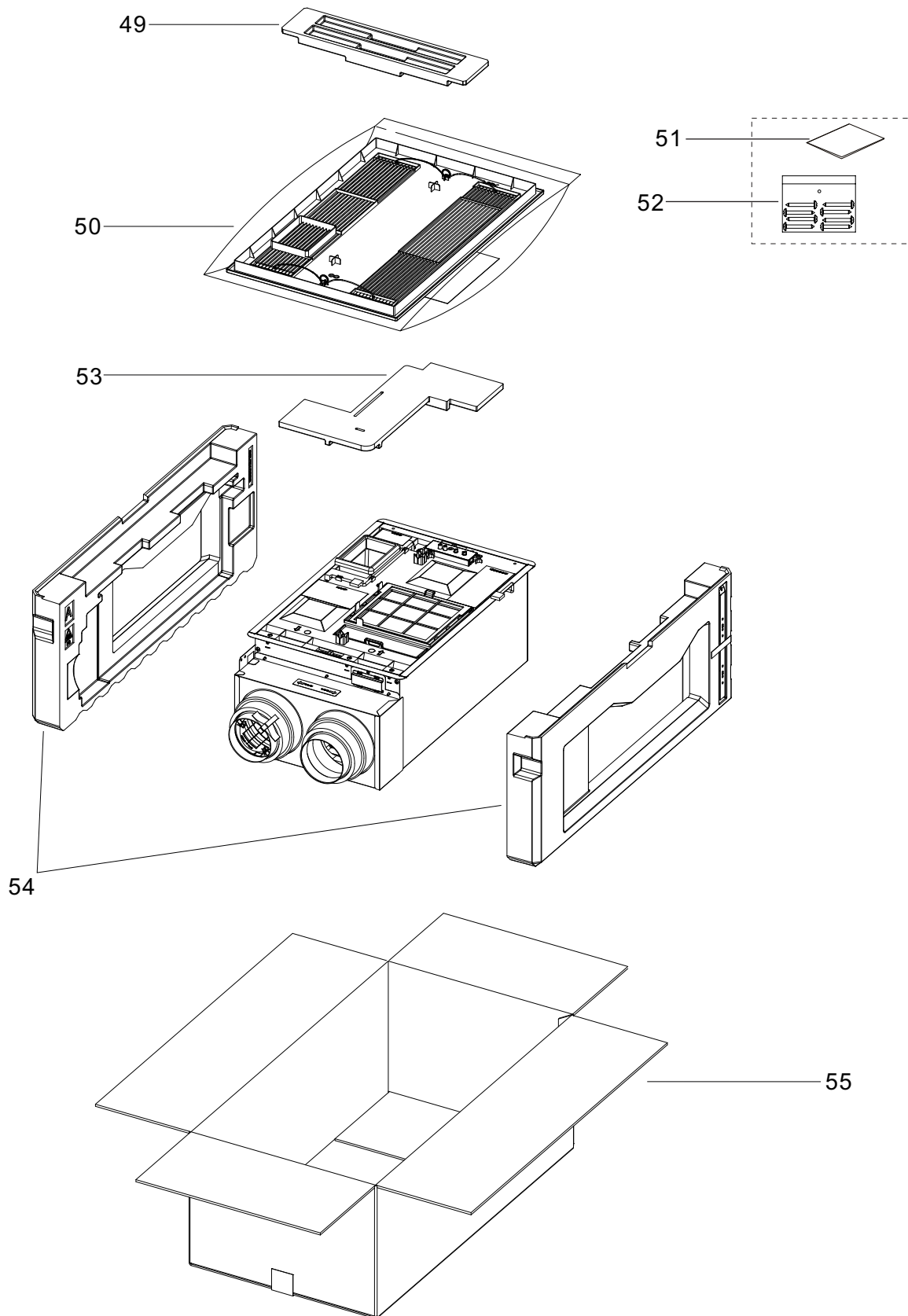
SCAN CODE FOR START-UP PROCEDURE

48

2. Parts Identification

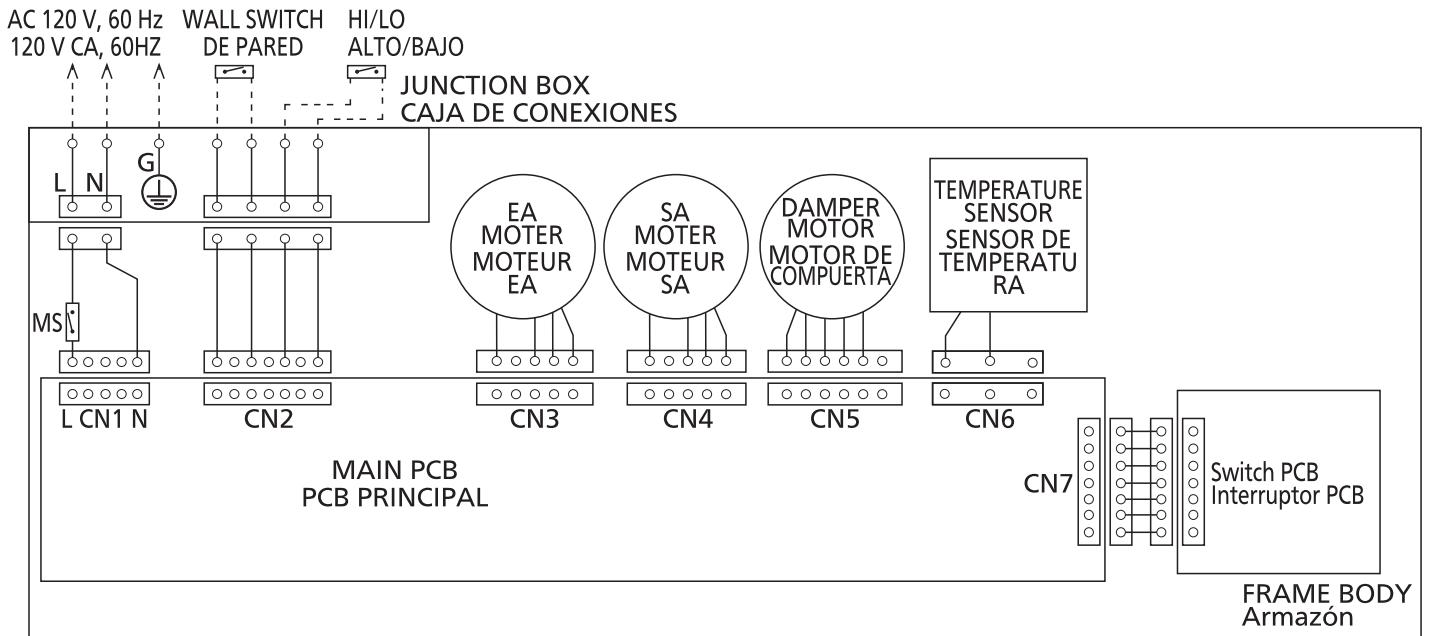
FV-06VE1

Packing Case

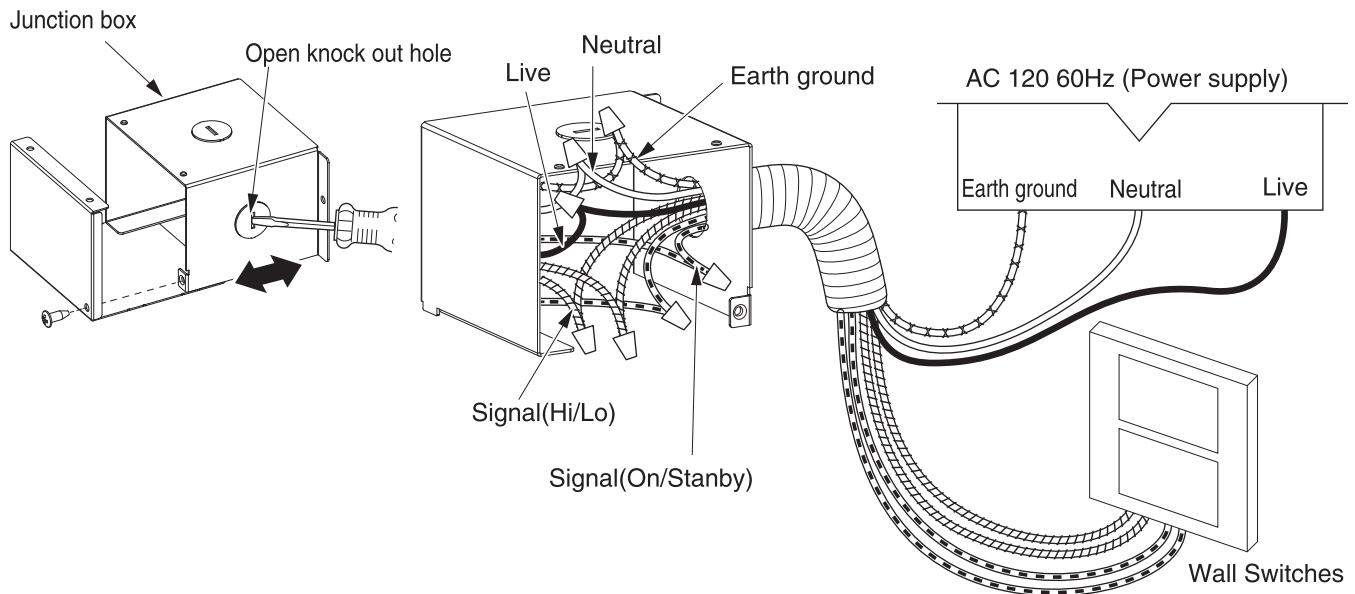


3. Wiring diagram

FV-06VE1



MS : Main Switch / Interrupteur principal



4. Parts List

FV-06VE1

Main Body

No.	Part No.	Part Name	Q'ty	Remark
1	FFV06VE1081	Louver Assy	1	
2	FFV06VEM13	OA Filter	1	
3	FFV06VE1053	Switch PCB Assy	1	⚠
4	FFV06VE1081	RA Filter	1	
5	FFV06VE1095	Element Case	1	
6	FFV06VE1092	Element Holder	1	
7	FFV06VE1001	Fan Assy	1	⚠
8	FFV35ZM1C99	Element Block	1	
9	FFV06VE1070	Foam Assy	1	
10	FFV06VE1052	Main PCB Assy	1	⚠
11	FFV06VE1096	Damper Assy	1	
12	FFV06VE1099	Switch PCB Cover	1	
13	FFV13KML3M	Switch Know	1	
14	FFV13KML398	Switch Spring	1	
15	FFV06VE1053	Switch PCB Assy	1	⚠
16	FFV06VE1993	Switch PCB Box	1	
A	FFV7000089S	Truss Tap Screw	2	
B	FFVXTT4-8FFJ	Screw (ST4-8)	11	
C	FFV7000224S	PS Screw	6	
D	FFV7000074S	Truss Tap Screw	2	

Frame Body

No.	Part No.	Part Name	Q'ty	Remark
17	FFV06VE1M20	Motor Assy	1	⚠
18	FFV06VE1091	Motor Support	1	
19	FFV06VE1915	Blade	1	
20	FFV7020022S	Nut	1	
21	FFV06VE1916	Casing	1	
E	FFVXTT48GFJ	Bind Tap Screw	3	
A	FFV7000089S	Truss Tap Screw	5	

4. Parts List

FV-06VE1

Main PCB Assy

No.	Part No.	Part Name	Q'ty	Remark
22	FFV06VE1991	PCB Box	1	
23	FFV06VE1520	Main PCB Assy	1	
24	FFV06VE1313	SA Motor Lead Wire	1	
25	FFV06VE1316	Thermistor Lead Wire	1	
26	FFV06VE1315	SP Motor Lead Wire	1	
27	FFV06VE1317	SW PCB Lead Wire	1	
28	FFV06VE1314	EA Motor Lead Wire	1	
29	FFV04VE1115	Switch Assy	1	
30	FFV06VE1312	Wall Switch Lead Wire	1	
31	FFV06VE1311	Power Lead Wire	1	
32	FFV06VE1992	PCB Cover	1	
D	FFV7000074S	Truss Tap Screw	2	

Frame Cover Assy

No.	Part No.	Part Name	Q'ty	Remark
33	FFV06VE1900	Frame Assy	1	
34	FFV11QCL1913	Connector Plate	1	
35	FFV06VE1319	Connector WS	1	
36	FFV06VE1332	Connector V	1	
37	FFV11QCL1331	Ground Wire	1	
37	FFV5710025S	Suspension Bracket	3	
39	FFV06VE1912	Junction Cover	1	
40	FFV06VE1919	Bracket Cover	1	
B	FFVXTT4-8FFJ	Screw (ST4-8)	8	
F	FFV7000227S	Earth Screw Assy	1	

4. Parts List

FV-06VE1

Main Labels

No.	Part No.	Part Name	Q'ty	Remark
41	FFV06VE1073	Wiring Label	1	
42	FFV06VE1083	Control Label	1	
43	FFV06VE1081	Arrow Label	1	
44	FFV06VE1079	Scale Label	1	
45	FFV3402226M	EA OA Adapter Label	1	
46	FFV06VE1070	Caution Label	1	
47	FFV06VE1074	Junction Label	1	
48	FFV06VE1084	Start UP Label	1	

Packing Case Assy

No.	Part No.	Part Name	Q'ty	Remark
49	FFV06VE1894	Center Pad B	1	
50	FFV06VE1010	Poly Cover with Print	1	
51	FFV06VE1420	Installation Inst (ESF)	1	
52	FFV06VE1431	Accessory A	1	
53	FFV06VE1893	Center Pad A	1	
54	FFV06VE1890	Frame Pad	1	
55	FFV06VE1400	Packing Case	1	