

Specification Submittal Data / Panasonic Ventilation Fan

Description

Ventilation fan/light shall be low sone ceiling mount rated for continuous operation. Fan shall be ENERGY STAR rated and certified by the Home Ventilating Institute (HVI). Fan shall include energy efficient compact fluorescent lighting. Evaluated by the Underwriters Laboratories and conform to both UL and cUL standards.

Motor/Blower:

- Four-pole totally enclosed condenser motor rated for continuous use.
- Power rating shall be 120 volts and 60 Hz.
- Fan shall be UL and cUL listed for tub/shower enclosure when used with a GFCI protected circuit and used in insulated ceiling (TYPE I.C.).
- Motor equipped with thermal-cut-off fuse.
- Removable, permanently lubricated, plug-in motor.

Housing:

- Rust proof paint, galvanized steel body.
- 4" diameter duct with optional 3" adapter included.
- Built-in metal flange provides blocking for penetrations through drywall as an Air Barrier, and assists with the decrease in leakage in the Building Envelope during blower door testing.
- Built in backdraft damper.
- Expandable extension bracket up to 24".
- Double hanger bar system allowing for ideal positioning.

Grille:

- Attractive design using PP material.
- Attaches directly to housing with torsion springs.

Light:

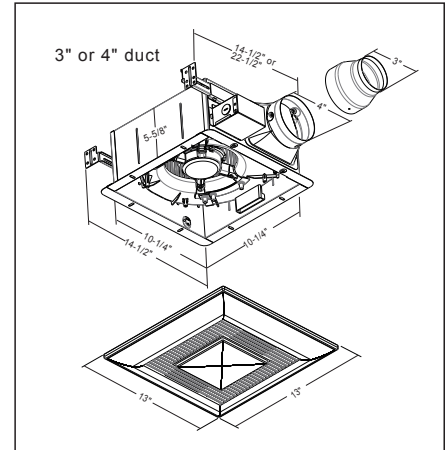
- Two 13 Watt self-ballasted GU24 base compact fluorescent lamps included.
- One 4-Watt night-light included.
- FCC Part 18 compliant.

Warranty:

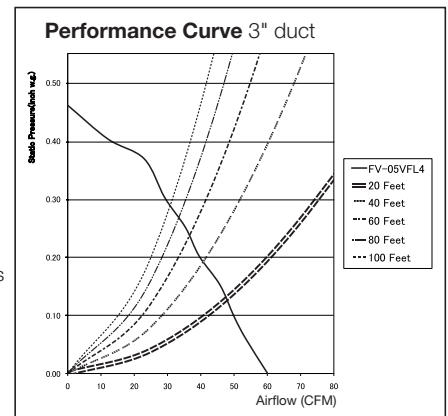
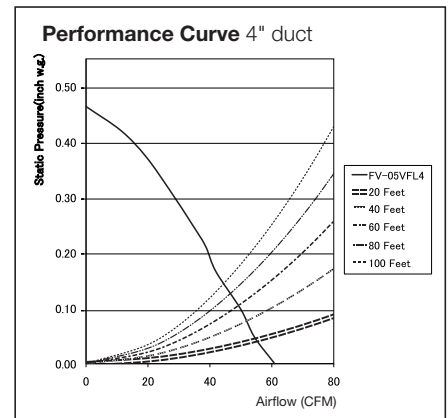
- ALL Parts: 3 Years from original purchase date.
- CFL: 1 year. Night Light: No Warranty.

Architectural Specifications:

Ventilation fan and light shall be ceiling mount, ENERGY STAR® rated, with no less than 50 CFM and no more than <0.3 sone as certified by the Home Ventilating Institute (HVI) at 0.1 wg with no less than 34 CFM and no more than 0.4 sone at .25 wg. Power consumption shall be no greater than 14.8 Watts at 0.1 wg and 14.7 Watts at 0.25 wg with efficiency of no less than 3.6 CFM/Watt at 0.1 wg and 2.4 CFM/Watt at 0.25 wg. The motor shall be fully enclosed, four pole condenser type engineered to operate continuously for no less than 30,000 hours. Power rating shall be 120v/60Hz. Duct diameter shall be no less than 3" or 4" duct. Fan shall be UL and cUL listed for tub/shower enclosure when used with a GFCI protected circuit wiring. Fan can be used to comply with ASHRAE 62.2, LEED, ENERGY STAR IAP, EarthCraft, California Title-24, WA Ventilation Code. Lamps shall be of the compact fluorescent type with the fan utilizing no less than two 13W ESTAR rated, self-ballasted GU24 base compact fluorescent lamps. Night-light feature shall be included.



FV-05VFL4



Specifications: WhisperFitLite FV-05VFL4		4" Duct (Standard)		3" Duct (Standard)	
Ventilation Fan Characteristics (HVI Certified Data)	Static Pressure in inches w.g.	0.1	0.25	0.1	0.25
	Air Volume (CFM)	50	34	50	35
	Noise (sones)	<0.3	0.4	<0.3	0.5
	Power Consumption (watts)	14.8	14.7	14.8	14.6
	Energy Efficiency (CFM/Watt)	3.6	2.4	3.4	2.4
	Speed (RPM)	692	962	747	983
	Current (amps)	0.12	0.12	0.12	0.12
	Power Rating (V/Hz)	120/60		120/60	
	ENERGY STAR rated	YES		YES	



* (2) 13W self-ballasted GU24 base CFL lamps included

0.25=Installed Performance

For complete Installation Instructions visit us.panasonic.com/ventfans

Model	Quantity	Comments	Project:
			Location:
			Architect:
			Engineer:
			Contractor:
			Submitted by:
			Date:

Panasonic Eco Solutions North America
Eco Products Division
Two Riverfront Plaza
Newark, NJ 07102

us.panasonic.com/ventfans

