

WhisperFit® DC Ventilation Fans and Fan/Lights

WhisperFit DC VENTILATION FAN



HEALTHY AIR, HEALTHY HOME

True Flow ratings at **0.375"** static pressure provide powerful airflow to assure code compliant, healthy homes.

Fan Only Model: FV-0511VF1

Fan / Condensation Model: FV-0511VFC1

Fan / Dimmable LED & Nightlight: FV-0511VFL1

Fan / Dimmable LED With Adjustable Color Temperatures: FV-0511VFL1K

- Revolutionary ECM motor with SmartFlow™ Technology ensures optimal CFM output
- Built-in Pick-A-Flow™ airflow selector allows you to select your required airflow of 50, 80, or 110 CFM with a simple flip of a switch
- Condensation Sensor model (FV-0511VFC1) provides hands-free operation and automatic moisture control
- Lighted model incorporates one 10W dimmable LED chip panel with <1W LED night light for warm, long-life energy efficient illumination (night light must be wired separately)
- Adjustable Color Temperature model (FV-0511VFL1K) features three color temperatures of 3000K, 4000K, and 5000K which allows homeowners to match the light setting in the room
- Single-hinged Flex-Z Fast® bracket provides flexible, fast and easy installation
- Can be used to comply with ASHRAE 62.2, LEED, IAP and California Title 24

ADDITIONAL BENEFITS

- Plastic standard 4" adapter with backdraft damper/shutter allows for better air tightness.
- Slide and snap-in junction box and duct collar provide even greater installation flexibility
- Pre-installed alignment guides help guide adaptor assembly into place during installation for a tight precision fit
- Temporary clip molded into casing holds fan in place while installer fastens fan to can safely
- Built-in metal flange provides blocking for penetrations through drywall as an Air Barrier, and assists with the decrease in leakage in the Building Envelope during blower door testing
- UL listed for tub/shower enclosure when GFCI protected and UL listed for use with the Panasonic Ceiling Radiation Damper (model # PC-RD05C5)
- 6-year warranty ECM motor, 3-year warranty on parts, 5 year on LED chip panel



The ideal retrofit solution, premium low profile design and flexible, fast installation

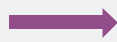
WhisperFit® DC is the perfect solution for any remodeler looking to quickly and easily replace an existing fan from below the ceiling. This fan enables you to utilize existing duct, while its low profile housing design ensures a proper fit in any ceiling with at least 5 5/8" depth. The single-hinged Flex-Z Fast® bracket provides flexible, fast and easy installation for easy positioning through a ceiling cavity. The slide and snap-in junction box and duct collar provide greater flexibility when wiring and attaching the duct and this premium fan now includes pre-installed plastic alignment guides and temporary retaining clip. These clips molded into the casting will allow the fan to stay in place while the installer fastens the fan into can. Once installed, use the Pick-A-Flow™ airflow selector to customize the airflow to meet your customers' needs. All of these great features combined make WhisperFit® DC a fast and easy to install ENERGY STAR® retrofit fan.

With WhisperFit® DC, installation is as **Easy as 1-2-3!**

Step 1: Single-Hinged Flex-Z Fast® bracket installed with existing 3" duct and wiring



Single-Hinged Flex-Z Fast® Installation Bracket



Existing 3" Duct and wiring

Step 2: Fan can be installed with motor in a 2 x 6 joist using the existing duct and included 4" to 3" duct adapter



Step 3: Fan is installed and ready to go!



Superior Installed Performance with True Flow ratings at 0.375" w.g.

ASHRAE, ENERGY STAR®, LEED for Homes, and HVI have set the industry standard for performance measurement at 0.1" and 0.25" w.g. WhisperFit DC fans provide powerful CFM airflow at 0.375" w.g. that is more representative of most installations. Sones have also been certified at 0.25 w.g. to provide a more realistic, installed value.

LED Lighting

Includes a 10 Watt dimmable LED chip panel/3000 Kelvin Warm White/90CRI/700 lumens/70 LPW/ENERGY STAR® 2.0 certified/JA-8 compliant for CA Title 24/50,000 hours rated average life / <1W LED night light.



LED Lighting - Adjustable Color Temperature

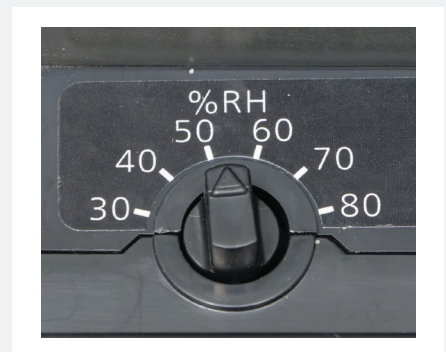
Model (FV-0511VFL1K) (Fan/LED with Adjustable Color Temperatures) combines energy efficient LED lighting with colorful room ambiance options of your choice. A switch under the grille lets occupants choose from three different LED color temperatures to match your décor in the room:

- Cool White 5000K
- Bright White 4000K
- Warm White 3000K



Onboard Condensation Sensor

To help you meet stricter ventilation codes and indoor air quality standards, our optional model (FV-0511VFC1) (Fan/Condensation Sensor) includes onboard humidity sensing that delivers effective moisture control and healthy indoor air. Advanced sensor technology detects relative humidity and temperature to anticipate dew point, automatically turning the fan on to control moisture.



Built-in 20-Minute Delay Auto Timer

The onboard delay timer runs the fan for 20 minutes when power is first turned on. After 20 minutes the fan turns off automatically unless moisture level is above the trigger point or the red wire circuit is closed. When the fan senses moisture levels above the trigger point or if the moisture level rises suddenly (from a hot shower for example), the fan automatically turns on. When the moisture level is 5% below the trigger setting, the 20-minute timer starts again.



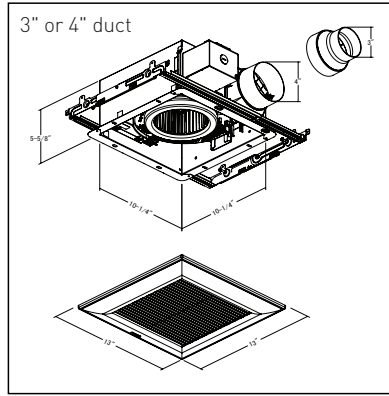
Specifications		WhisperFit® DC																	
		FV-0511VF1 / FV-0511VFC1																	
		4"			4"			4"			3"			3"			3"		
Characteristics (HVI tested data for 0.1" S.P.)	Static Pressure in inches w.g.	0.1	0.25	0.375	0.1	0.25	0.375	0.1	0.25	0.375	0.1	0.25	0.375	0.1	0.25	0.375	0.1	0.25	0.375
	Air Volume (CFM)	110	111	109	80	80	84	50	50	50	110	94	69	80	81	67	50	51	54
	Noise (sones)	0.8	1.2	-	0.3	0.8	-	<0.3	0.4	-	2.0	1.5	-	0.8	1.4	-	<0.3	0.9	-
	Power Consumption (watts)	10.2	14.6	17.9	5.9	9.4	13.2	4.0	7.1	10.0	17.1	16.4	13.6	8.8	13.0	13.5	4.6	7.7	10.8
	Energy Efficiency (CFM/Watt)	11.0	7.7	6.2	13.9	8.7	6.5	13.5	7.6	5.4	6.6	5.9	5.2	9.4	6.5	5.2	11.5	7.0	5.3
	Speed (RPM)	977	1222	1392	820	1142	1349	795	1152	1374	1341	1429	1476	1094	1357	1476	870	1205	1426
	Current (amps)	0.18	0.24	0.28	0.11	0.16	0.22	0.08	0.13	0.17	0.27	0.26	0.22	0.15	0.21	0.22	0.09	0.14	0.18
	MAX. Current (amps)	0.29																	
	Power Rating (W/Hz)	120/60																	
Specifications	Motor Type	DC																	
	Type of Motor Bearing	Ball																	
	Thermal Fuse Protection	Yes																	
	Blower Wheel Type	Sirocco																	
	ENERGY STAR® Qualified*	Yes																	
Installation	Duct Diameter (inches)	4" or 3" (w/ reducer)																	
	Mounting Opening (inches sq.)	10-1/2"																	
	Grille Size (inches sq.)	13"																	
Light Specifications	Lamp Watts	N/A																	
	Lumens (lm)																		
	Lumens Per Watt (LPW)																		
	Color Rendering Index																		
	Color Temperature (Kelvin)																		
	Rated Life (hours)																		
	Lamp Model #																		
	Type of Lamp Socket																		
Night Light Specs	Night Light Watts	N/A																	
Shipping	Gross Weight (lbs)	9.5																	
Approved Code/ Standard/Regulation	UL Tub/Shower Enclosure	Yes																	
	Washington VIAQ Code	No																	
	California Title 24 Compliant	Yes																	
	Mfg in ISO 9001 Certified Facility	Yes																	



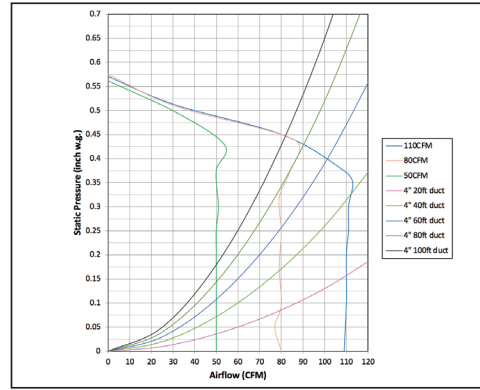
Specifications		WhisperFit [®] DC																	
		FV-0511VFL1 / FV-0511VFL1K																	
		4"			4"			4"			3"			3"			3"		
Characteristics (HVI tested data for 0.1" S.P.)	Static Pressure in inches w.g.	0.1	0.25	0.375	0.1	0.25	0.375	0.1	0.25	0.375	0.1	0.25	0.375	0.1	0.25	0.375	0.1	0.25	0.375
	Air Volume (CFM)	110	110	100	80	82	83	50	51	52	110	89	64	80	80	62	50	51	52
	Noise (sones)	1.0	1.3	-	0.3	0.7	-	<0.3	0.4	-	1.5	1.4	-	0.7	1.3	-	<0.3	0.7	-
	Power Consumption (watts)	11.0	15.0	16.4	6.6	10.4	13.8	4.2	7.4	10.0	17.4	15.1	12.6	9.3	13.4	12.5	4.9	8.0	10.5
	Energy Efficiency (CFM/Watt)	10.2	7.5	6.2	12.4	8.1	6.1	12.5	7.2	5.5	6.4	6.0	5.1	8.9	6.2	5.1	10.8	6.8	5.2
	Speed (RPM)	999	1243	1399	890	1207	1400	833	1181	1396	1376	1431	1476	1135	1392	1481	907	1233	1444
	Current (amps)	0.18	0.25	0.27	0.12	0.18	0.22	0.08	0.13	0.17	0.28	0.24	0.21	0.16	0.22	0.21	0.09	0.14	0.18
	MAX. Current (amps)	0.28																	
	Power Rating (V/Hz)	120/60																	
Specifications	Motor Type	DC																	
	Type of Motor Bearing	Ball																	
	Thermal Fuse Protection	Yes																	
	Blower Wheel Type	Sirocco																	
	ENERGY STAR [®] Qualified*	Yes																	
Installation	Duct Diameter (inches)	4" or 3" (w/ reducer)																	
	Mounting Opening (inches sq.)	10-1/2"																	
	Grille Size (inches sq.)	13"																	
Light Specifications	Lamp Watts	10.0																	
	Lumens (lm)	750																	
	Lumens Per Watt (LPW)	≥72																	
	Color Rendering Index	≥90																	
	Color Temperature (Kelvin)	3000																	
	Rated Life (hours)	50000																	
	Lamp Model #	N/A																	
	Type of Lamp Socket	LED chip																	
Night Light Specs	Night Light Watts	0.2																	
Shipping	Gross Weight (lbs)	10.1																	
Approved Code/ Standard/Regulation	UL Tub/Shower Enclosure	Yes																	
	Washington VIAQ Code	No																	
	California Title 24 Compliant	Yes																	
	Mfg in ISO 9001 Certified Facility	Yes																	

HVI and ENERGY STAR[®] certifications for WhisperFit[®] DC FV-0511VFL1 & FV-0511VFL1K are pending

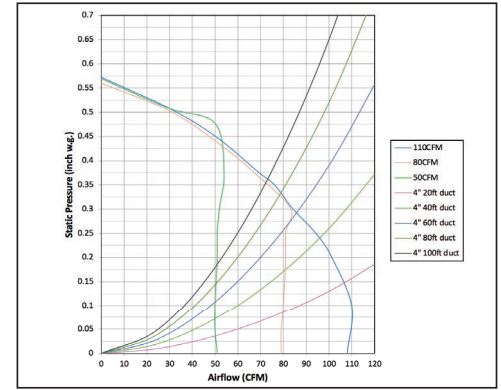
FV-0511VF1



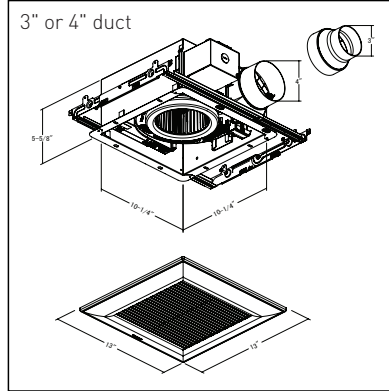
FV-0511VF1 - 4" Duct



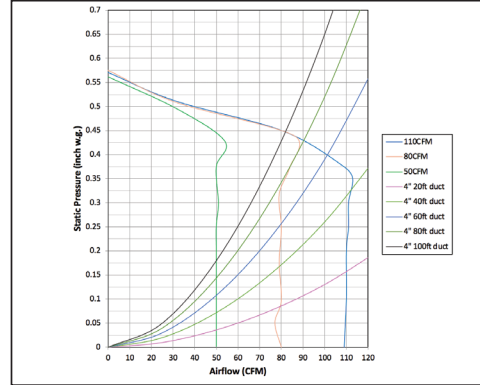
FV-0511VF1 - 3" Duct



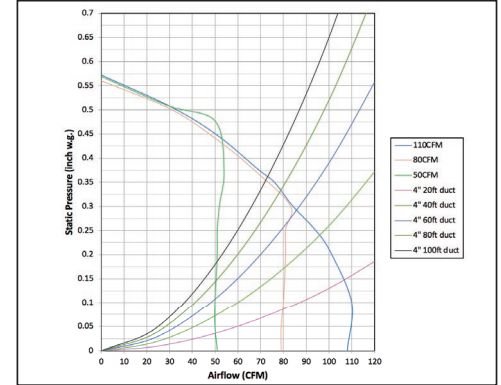
FV-0511VFC1



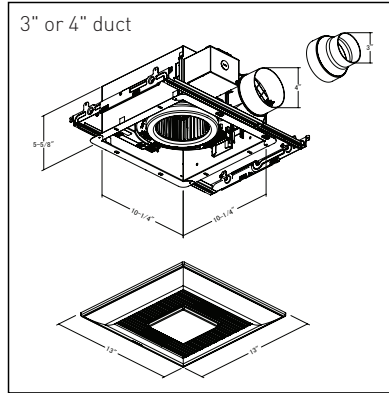
FV-0511VFC1 - 4" Duct



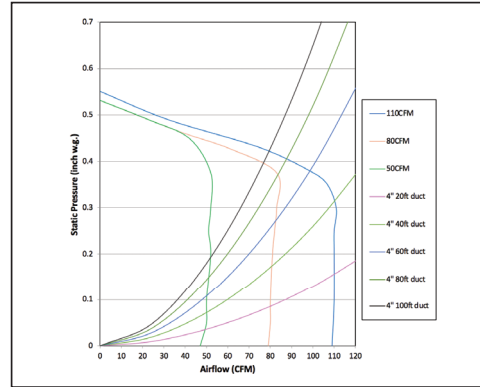
FV-0511VFC1 - 3" Duct



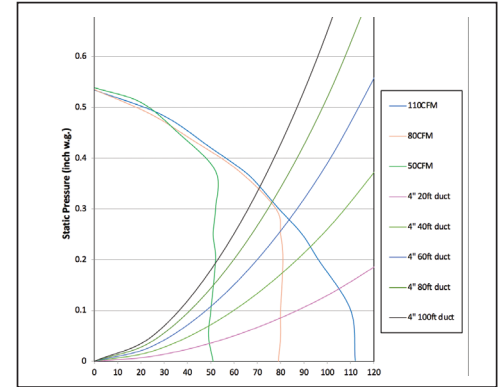
FV-0511VFL1



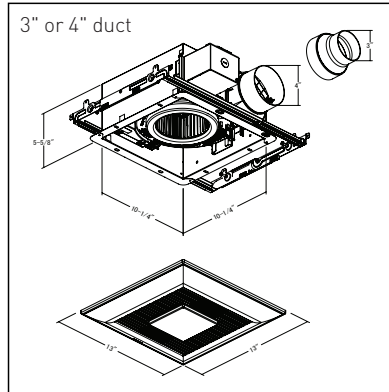
FV-0511VFL1 - 4" Duct



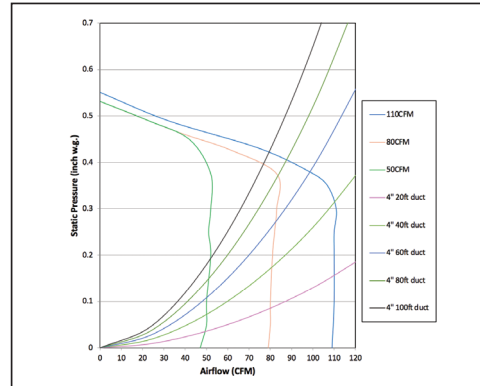
FV-0511VFL1 - 3" Duct



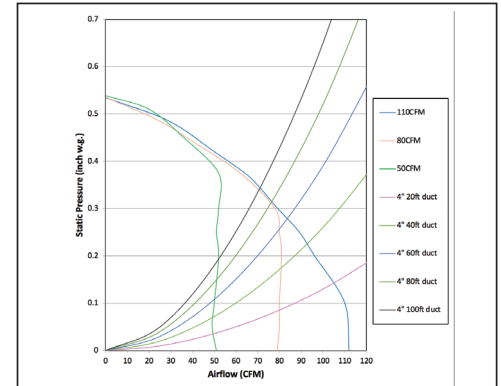
FV-0511VFL1K



FV-0511VFL1K - 4" Duct



FV-0511VFL1K - 3" Duct



Panasonic Life Solutions Company of America
 IAQ Division
 Two Riverfront Plaza, Newark, NJ 07102
us.panasonic.com/ventfans

For Order Information
 PHONE: 866-292-7299
 FAX: 888-553-0723
ventfans@us.panasonic.com