



FV-0510VS1

WhisperValue DC Ventilation Fan

- Revolutionary DC motor with SmartFlow™ technology for optimum CFM output
- Pick-A-Flow™ Speed Selector – one fan, you choose the CFM (50, 80 or 100 CFM)
- Available Q2, 2017: WhisperValue DC fans with built-in ASHRAE 62.2 Timing Function or Condensation Control options
- Ideal for residential construction (Single & Multi-Family) and Manufactured Homes
- 3-3/8" Housing Depth – lowest profile ENERGY STAR®* fan available – fits anywhere!
- Unique L-Shaped bracket simplifies installation and provides strong support
- UL approved for ceiling or wall mount (actually fits in a 2 x 4 stud wall)
- Wall Installation reduces cost by eliminating the need to incorporate a radiation damper when penetrating fire rated ceilings, making it ideal for Multi-Family applications
- Engineered to comply with ENERGY STAR® 4.0 requirement for increased efficiency (CFM/Watt)
- Can be used to comply with ASHRAE 62.2, LEED, IAP, California Title 24 and WA Ventilation Code

ADDITIONAL BENEFITS

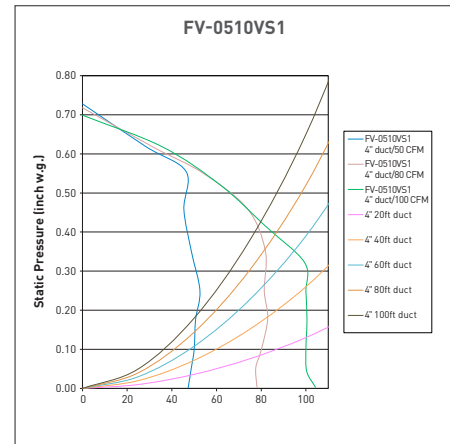
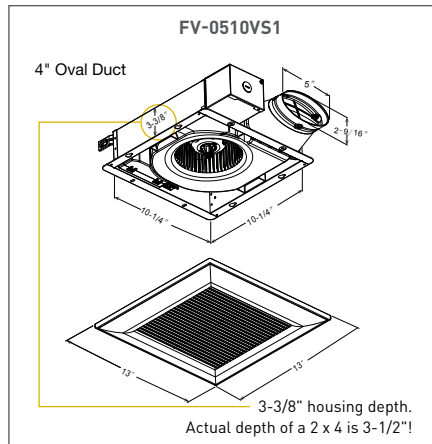
- 24 gauge steel, fire code rated 4" oval to 3" round duct adapter, sold separately (model # FV-VS43R)
- UL listed for use with the Panasonic Ceiling Radiation Damper (model # PC-RD05C5)
- UL listed for tub/shower enclosure when GFCI protected
- 6 year warranty on DC motor, 3 years on parts

Ideal Multi-Family Solution, Featuring a DC Motor Fan-Only Option

WhisperValue DC™
VENTILATION FAN



FV-0510VS1



Coming Soon! Q2, 2017
WhisperValue DC, LIGHTED MODELS

WhisperValue fan/LED lights with DC motor and Pick-A-Flow technology (50-80-100 CFM). Built-in ASHRAE 62.2 Timing Function and Condensation Control options will also be available.

Quiet Operation at 0.25" Water Gauge Static Pressure (INSTALLED PERFORMANCE)

Any manufacturer can achieve low sone levels at 0.1" w.g. – the amount of static pressure with 10 feet of duct and a wall cap. But today's houses have longer and more complicated duct runs. Since 0.1" w.g. is an unrealistic amount of static pressure when installed, ASHRAE, ENERGY STAR®, and LEED for Homes, have set the industry standard for performance measurement at 0.25" w.g. Panasonic leads the way with incomparable sone levels at both 0.1" and 0.25" w.g.



WhisperValue DC 4" Oval Duct			FV-0510VS1				
Characteristics (HVI tested data for 0.1" S.P.)	Static Pressure in inches w.g.	0.1	0.25	0.1	0.25	0.1	0.25
	Air Volume (CFM)	100	100	80	81	50	53
	Noise (sones)	0.9	1.3	0.4	0.8	<0.3	0.5
	Power Consumption (watts)	11.1	16.0	7.2	11.5	4.4	7.5
	Energy Efficiency (CFM/Watt)	9.2	6.4	11.4	7.2	12.8	7.9
	Speed (RPM)	902	1121	797	1070	708	1025
	Current (amps)	0.20	0.27	0.13	0.20	0.09	0.14
	MAX. Current(amps)	0.39		0.39		0.39	
	Power Rating (V/Hz)	120/60		120/60		120/60	
	Specifications	Motor Type	DC		DC		DC
Type of Motor Bearing		Ball		Ball		Ball	
Thermal Fuse Protection		Yes		Yes		Yes	
Blower Wheel Type		Sirocco		Sirocco		Sirocco	
ENERGY STAR Qualified		Yes		Yes		Yes	
Installation	Duct Diameter (Inches)	4 Oval		4 Oval		4 Oval	
	Mounting Opening (Inches sq.)	10-1/2		10-1/2		10-1/2	
	Grille Size (Inches)	13		13		13	
Light Specifications	Lamp Watts	N/A		N/A		N/A	
	Lumens (lm)	N/A		N/A		N/A	
	Lumens Per Watt (LPW)	N/A		N/A		N/A	
	Color Rendering Index	N/A		N/A		N/A	
	Color Temperature (Kelvin)	N/A		N/A		N/A	
	Rated Life (hours)	N/A		N/A		N/A	
	Lamp Model #	N/A		N/A		N/A	
Night Light Specs	Night Light Watts	N/A		N/A		N/A	
Shipping	Gross Weight (lbs)	8.8		8.8		8.8	
Approved Code/Standard/Regulation	UL tub/Shower Enclosure	Yes		Yes		Yes	
	Washington VIAQ Code	Yes		Yes		Yes	
	California Title 24 Compliant	Yes		Yes		Yes	
	Mfg in ISO 9001 Certified Facility	Yes		Yes		Yes	

*As tested by an EPA recognized lab
NOTE: 0.25" w.g. = Installed Performance

**Lamp contains mercury. Dispose of according to local, state and federal laws.



Panasonic Eco Solutions of North America
Eco Products Division

Two Riverfront Plaza
Newark, NJ 07102

us.panasonic.com/ventfans

For Order Information

PHONE: 866-292-7299

FAX: 888-553-0723

ventfans@us.panasonic.com