

# NTM-726

## 6" Air-Tight Baffled Lensless Shower Trim

Type \_\_\_\_\_

Project \_\_\_\_\_

Catalog No. \_\_\_\_\_

Notes \_\_\_\_\_

### FEATURES

**Trim:** Precision spun 0.050 aluminum baffle with deep grooves to reduce aperture glare and rated for wet location when used with compatible housings.

**Mounting:** Trim includes two "V" torsion springs to mount trim securely to housing. Replacement "V" torsion springs are available (NRA-86). Remove socket from socket plate within housing (if applicable), and mount socket on bracket.

### COMPATIBLE LAMP / HOUSINGS

#### Line Voltage:

70W PAR30 Max. (NH-26Q; NHIC-17/100DWQA; NHIC-17QAT; NHIC-17QNBAT; NHR-26Q; NHRIC-17QAT; NHRIC-17QAT)

100W PAR38 Max. (NHIC-17/100DWQA; NHIC-17QAT; NHIC-17QNBAT; NHRIC-17QAT; NHRIC-17QNBAT)

150W PAR38 Max. (NH-26Q; NHR-26Q)

See individual housing specification sheets for more information.

### LABELS AND LISTINGS

\* cULus Listed for Wet Location when used with compatible housing



### PRODUCT IMAGES & DIMENSIONS



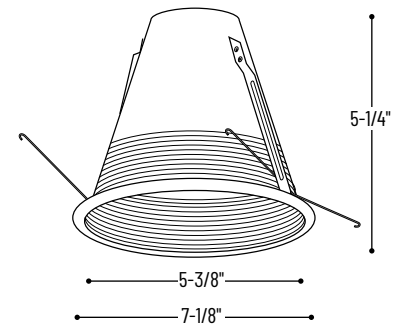
NTM-726B



NTM-726BZ



NTM-726W



## 6" Air-Tight Baffled Lensless Shower Trim

Catalog No.

**NTM-726B** = 6" Black Air-Tight Baffled Lensless Shower Trim with White Flange

**NTM-726BZ** = 6" Bronze Air-Tight Baffled Lensless Shower Trim with Bronze Flange

**NTM-726W** = 6" White Air-Tight Baffled Lensless Shower Trim with White Flange

## Compatible Housings

Catalog No.

**NH-26Q** = Non-IC New Construction / 150W max

**NHR-26Q** = Non-IC Remodel / 150W max

**NHIC-17/100DWQA** = IC Air-Tight Double Wall New Construction / 100W max

**NHIC-17QAT** = IC Air-Tight New Construction / 100W max

**NHRIC-17QAT** = IC Air-Tight Remodel / 100W max

**NHRIC-17QNBAT** = IC Air-Tight Remodel, No Bracket / 100W max

**NHIC-17QNBAT** = IC Air-Tight New Construction, No Bracket / 100W max

Example: **NTM-726B** = 6" Black Air-Tight Baffled Lensless Shower Trim with White Flange