

NTH-108

PAR38 Rear Loading Gimbal Ring

Lamp: 150W PAR38 max.

Type

Project

Catalog No.

Notes

PRODUCT DESCRIPTION

Line voltage rear loading track head with a yoke that provides full adjustment of light source.

FEATURES

- Die cast aluminum provides superior strength and rigidity.
- One or two circuit track capable.
- Accepts LED lamps

CONSTRUCTION

Housing: 0.030" Deep drawn steel construction with simple, yet decorative design. All edges are softened for aesthetic appearance

Yoke: 0.085" Rigid steel "wishbone" yoke connects fixture housing to electrical contact head.

ELECTRICAL

Voltage: 120V input

Socket: Medium base

Lamp: 150W PAR38 max. (not included)

FINISH

Available in black, bronze and white finishes.

ONE/TWO CIRCUIT CONVERSION

Positive contact (opposite neutral and ground contacts) is preset to "down" position at factory but may be raised to the higher position to install onto the second circuit of Nora Lighting NT- 2300 series two-circuit track.

LABELS AND LISTINGS

UL Listed



PRODUCT IMAGES AND DIMENSIONS



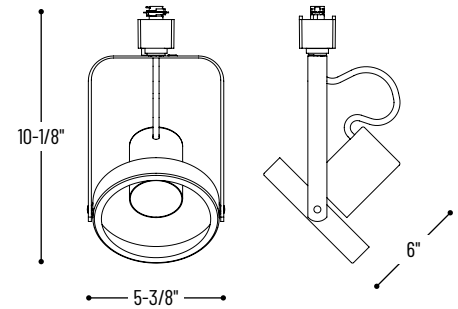
NTH-108B/A



NTH-108BZ



NTH-108W/A



PAR38 Rear Loading Gimbal Ring

Catalog No.	Finish	Style
NTH-108	B/A = Black	(blank) = H-style
	BZ = Bronze	J/J = J-style
	W/A = White	L/L = L-style

Example: NTH-108B/A = PAR38 Rear Loading Gimbal Ring, Black Finish, H-Style Adapter