

NTE-866

MAX XL LED Track Head

Source: 38W LED
3650lm

FEATURES

- Over 75% energy savings when compared to incandescent
- 2700K, 3000K or 4000K at 90 CRI
- One or two circuit track capable
- Track adapters can be customized to J-Style or L-Style
- Dimmable

CONSTRUCTION

Housing: Die-cast aluminum construction dissipates heat for longer life.

Adjustability: 359° horizontal and 90° vertical adjustment

ELECTRICAL

Input Voltage: 120V

Lumens / Wattage: 3650lm / 38W

Color Temperature: 2700K, 3000K, 4000K

Color Rendering Index: 90+ CRI

Beam Spread: 24° Spot, 34° Narrow Flood, 60° Flood

Lifetime: 50,000 hours @ L70

Dimming: Triac or ELV

[Click Here](#) or check complete dimmer list at www.NoraLighting.com in the "Compatibility" page under "Resources" tab

One / Two Circuit Conversion: Positive contact (opposite neutral and ground contacts) is preset to "down" position at factory, but may be raised to the higher position to install onto the second circuit of Nora Lighting NT-2300 series two-circuit track.

OPTIONAL ACCESSORIES

NT-368: Round Monopoint Canopy

NT-319: Square Monopoint Canopy

LABELS AND LISTINGS

- cETLus Listed for dry locations
- ENERGY STAR certified
- [5-Year Limited Warranty](#)
- FCC compliant
- Certified to the high efficacy requirements of California Title 24 JA8-2022



Type _____

Project _____

Catalog No. _____

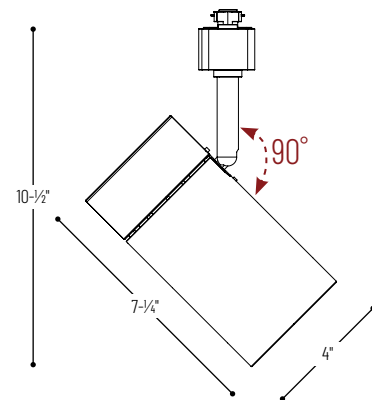
Notes _____

Performance Data

Part Number	Lumens	CCT
NTE-866L927	3200lm	2700K
NTE-866L930	3450lm	3000K
NTE-866L940	3650lm	4000K

Delivered lumens will vary depending on beam spread and finish

PRODUCT IMAGES AND DIMENSIONS



MAX XL LED Track Head

Series	Color Temperature / CRI	Beam Spread	Finish	Adapter Style
NTE-866L	927 = 2700K / 90 CRI	S = 24° Spot	B = Black	(blank) = H-Style
	930 = 3000K / 90 CRI	N = 34° Narrow Flood	W = White	/J = J-Style
	940 = 4000K / 90 CRI	F = 60° Flood		/L = L-Style

Optional Accessories

Description

- NT-366B** = Round Monopoint Canopy, Black
- NT-366S** = Round Monopoint Canopy, Silver
- NT-366W** = Round Monopoint Canopy, White
- NT-319B** = Square Monopoint Canopy, Black
- NT-319S** = Square Monopoint Canopy, Silver
- NT-319W** = Square Monopoint Canopy, White

Example: **NTE-866L927NB** = MAX XL LED Track Head, 2700K / 90 CRI, 34° Narrow Flood, Black Finish, H-Style Adapter

PHOTOMETRICS

MAX XL LED Track Head

Type

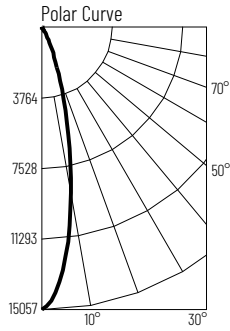
Project

Catalog No.

Notes

Test Information

Test Number: NTT1103R2
 Part Number: NTE-866L940SB
 Beam Spread: 24° Spot
 Lumens: 3440lm
 Wattage: 39.59W
 Efficacy: 87lpw
 CCT / CRI: 4000K / 90 CRI
 Spacing Criteria (0°-180°): 0.4
 Spacing Criteria (90°-270°): 0.42



Illuminance at a Distance

Distance from Luminaire	FC at Nadir	Beam Diameter
10'	151fc	4'-2"
15'	66.9fc	6'-4"
20'	37.6fc	8'-4"
25'	24.1fc	10'-6"
30'	16.7fc	12'-7"

Zonal Lumen Summary

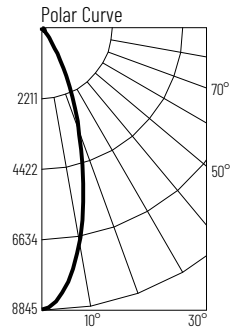
Zone	Lumens	% Luminaire
0-30	3164	92
0-40	3306	93.1
0-60	3413	99.2
0-90	3440	100
90-180	0	0
0-180	3440	100

Candela Table

Vertical Angles	Candela
0	15057
5	13002
15	5257
25	1294
35	194
45	80

Test Information

Test Number: NTT1102R2
 Part Number: NTE-866L940NB
 Beam Spread: 34° Narrow Flood
 Lumens: 3687lm
 Wattage: 39.85W
 Efficacy: 93lpw
 CCT / CRI: 4000K / 90 CRI
 Spacing Criteria (0°-180°): 0.56
 Spacing Criteria (90°-270°): 0.56



Illuminance at a Distance

Distance from Luminaire	FC at Nadir	Beam Diameter
10'	88.3fc	6'
15'	39.2fc	9'
20'	22.1fc	12'-1"
25'	14.1fc	15'-1"
30'	9.8fc	18'-1"

Zonal Lumen Summary

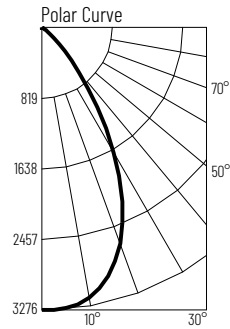
Zone	Lumens	% Luminaire
0-30	3122	84.7
0-40	3490	94.6
0-60	3670	99.5
0-90	3687	100
90-180	0	0
0-180	3687	100

Candela Table

Vertical Angles	Candela
0	8831
5	
15	
25	
35	
45	

Test Information

Test Number: NTT1101R2
 Part Number: NTE-866L940FB
 Beam Spread: 60° Flood
 Lumens: 3261lm
 Wattage: 39.55W
 Efficacy: 82lpw
 CCT / CRI: 4000K / 90 CRI
 Spacing Criteria (0°-180°): 0.94
 Spacing Criteria (90°-270°): 0.94



Illuminance at a Distance

Distance from Luminaire	FC at Nadir	Beam Diameter
10'	32.7fc	11'-7"
15'	14.6fc	17'-5"
20'	8.2fc	23'-2"
25'	5.2fc	29'
30'	3.6fc	34'-8"

Zonal Lumen Summary

Zone	Lumens	% Luminaire
0-30	2117	64.9
0-40	2829	86.8
0-60	3232	99.1
0-90	3261	100
90-180	0	0
0-180	3261	100

Candela Table

Vertical Angles	Candela
0	3275
5	3255
15	2959
25	2204
35	1122
45	383

Lumen Output Multipliers

Color Temperature: 2700K (0.88), 3000K (0.94), 4000K (1.00)