

NTE-865

MAX LED Track Head

Source: 25W LED
2550lm

FEATURES

- Over 75% energy savings when compared to incandescent
- 2700K, 3000K or 4000K at 90 CRI
- One or two circuit track capable
- Track adapters can be customized to J-Style or L-Style
- Dimmable

CONSTRUCTION

Housing: Die-cast aluminum construction dissipates heat for longer life.

Adjustability: 359° horizontal and 90° vertical adjustment

ELECTRICAL

Input Voltage: 120V

Lumens / Wattage: 2550lm / 25W

Color Temperature: 2700K, 3000K, 4000K

Color Rendering Index: 90+ CRI

Beam Spread: Spot, 31° Narrow Flood, Flood

Lifetime: 50,000 hours @ L70

Dimming: Triac or ELV

[Click Here](#) or check complete dimmer list at www.NoraLighting.com in the "Compatibility" page under "Resources" tab

One / Two Circuit Conversion: Positive contact (opposite neutral and ground contacts) is preset to "down" position at factory, but may be raised to the higher position to install onto the second circuit of Nora Lighting NT-2300 series two-circuit track.

LABELS AND LISTINGS

- cETLus Listed for dry locations
- ENERGY STAR certified
- [5-Year Limited Warranty](#)
- FCC compliant
- Certified to the high efficacy requirements of California Title 24 JA8-2019



Type _____

Project _____

Catalog No. _____

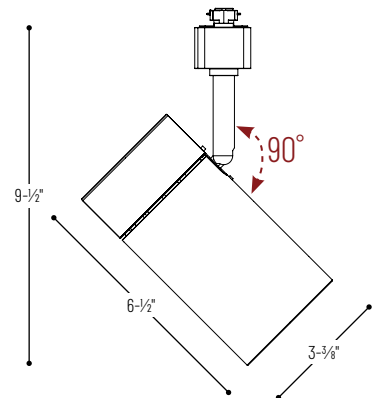
Notes _____

Performance Data

Part Number	Lumens	CCT
NTE-865L927	1956lm	2700K
NTE-865L930	2177lm	3000K
NTE-865L940	2565lm	4000K

Delivered lumens will vary depending on beam spread and finish

PRODUCT IMAGES AND DIMENSIONS



MAX LED Track Head

Series	Color Temperature / CRI	Beam Spread	Finish	Adapter Style
NTE-865L	927 = 2700K / 90 CRI	S = Spot	B = Black	(blank) = H-Style
	930 = 3000K / 90 CRI	N = Narrow Flood	W = White	/J = J-Style
	940 = 4000K / 90 CRI	F = Flood		/L = L-Style

Example: **NTE-865L927NB** = MAX LED Track Head, 2700K / 90 CRI, Narrow Flood, Black Finish, H-Style Adapter

PHOTOMETRICS

MAX LED Track Head

Type

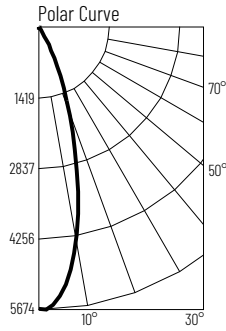
Project

Catalog No.

Notes

Test Information

Test Number: NTT1051R1
 Part Number: NTE-865L927NB
 Beam Spread: 32° Narrow Flood
 Lumens: 1956lm
 Wattage: 26.86W
 Efficacy: 73lpw
 CCT / CRI: 2700K / 90 CRI
 Spacing Criteria (0°-180°): 0.54
 Spacing Criteria (90°-270°): 0.54



Illuminance at a Distance

Distance from Luminaire	FC at Nadir	Beam Diameter
10'	56.7fc	5'-10"
12'	39.4fc	6'-11"
14'	28.9fc	8'-1"
16'	22.2fc	9'-2"
18'	17.5fc	10'-5"

Zonal Lumen Summary

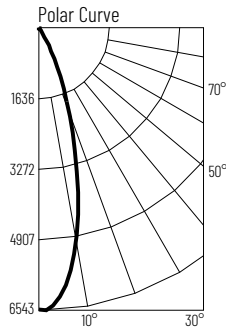
Zone	Lumens	% Luminaire
0-30	1798	91.9
0-40	1901	97.2
0-60	1949	99.6
0-90	1956	100
90-180	0	0
0-180	1956	100

Candela Table

Vertical Angles	Candela
0	5674
5	5365
15	3137
25	981
35	138
45	35

Test Information

Test Number: NTT1051R1
 Part Number: NTE-865L930NB
 Beam Spread: 31° Narrow Flood
 Lumens: 2177lm
 Wattage: 27.2W
 Efficacy: 80lpw
 CCT / CRI: 3000K / 90 CRI
 Spacing Criteria (0°-180°): 0.52
 Spacing Criteria (90°-270°): 0.52



Illuminance at a Distance

Distance from Luminaire	FC at Nadir	Beam Diameter
10'	65.3fc	5'-6"
12'	45.3fc	6'-7"
14'	33.3fc	7'-8"
16'	25.5fc	8'-10"
18'	20.1fc	9'-11"

Zonal Lumen Summary

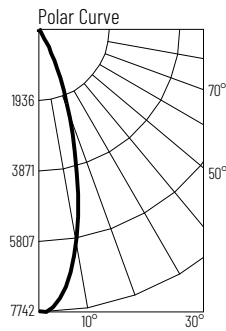
Zone	Lumens	% Luminaire
0-30	1997	91.7
0-40	2108	96.8
0-60	2160	99.2
0-90	2167	99.5
90-180	10	0.5
0-180	2177	100

Candela Table

Vertical Angles	Candela
0	6526
5	6046
15	3393
25	1108
35	140
45	36

Test Information

Test Number: NTT1052R1
 Part Number: NTE-865L940NB
 Beam Spread: 31° Narrow Flood
 Lumens: 2565lm
 Wattage: 27.1W
 Efficacy: 95lpw
 CCT / CRI: 4000K / 90 CRI
 Spacing Criteria (0°-180°): 0.52
 Spacing Criteria (90°-270°): 0.54



Illuminance at a Distance

Distance from Luminaire	FC at Nadir	Beam Diameter
10'	76.1fc	5'-5"
12'	52.9fc	6'-6"
14'	38.8fc	7'-7"
16'	29.7fc	8'-8"
18'	23.5fc	9'-10"

Zonal Lumen Summary

Zone	Lumens	% Luminaire
0-30	2343	91.3
0-40	2467	96.2
0-60	2531	98.7
0-90	2540	99
90-180	25	1
0-180	2565	100

Candela Table

Vertical Angles	Candela
0	7612
5	6999
15	3946
25	1258
35	161
45	41