

NTE-864

MAX Mini LED Track Head

Source: 13W LED
1000lm

Type _____

Project _____

Catalog No. _____

Notes _____

FEATURES

- Over 75% energy savings when compared to incandescent
- 2700K, 3000K, 3500K or 4000K at 90 CRI
- One or two circuit track capable
- Track adapters can be customized to J-Style or L-Style
- Dimmable

CONSTRUCTION

Housing: Die-cast aluminum construction dissipates heat for longer life.

Adjustability: 359° horizontal and 90° vertical adjustment

ELECTRICAL

Input Voltage: 120V

Lumens / Wattage: 1000lm / 13W

Color Temperature: 2700K, 3000K, 3500K, 4000K

Color Rendering Index: 90+ CRI

Beam Spread: 41° Narrow Flood

Lifetime: 50,000 hours @ L70

Dimming: Triac or ELV

[Click Here](#) or check complete dimmer list at www.NoraLighting.com in the "Compatibility" page under "Resources" tab

One / Two Circuit Conversion: Positive contact (opposite neutral and ground contacts) is preset to "down" position at factory, but may be raised to the higher position to install onto the second circuit of Nora Lighting NT-2300 series two-circuit track.

OPTIONAL ACCESSORIES

NT-366: Round Monopoint Canopy

NT-319: Square Monopoint Canopy

LABELS AND LISTINGS

- cETLus Listed for dry locations
- [5-Year Limited Warranty](#)
- FCC compliant
- Certified to the high efficacy requirements of California Title 24 JA8-2022

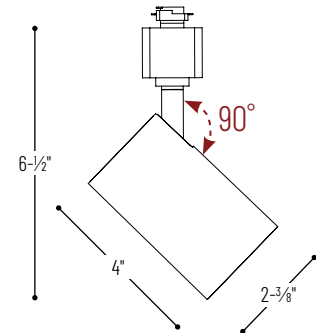


Performance Data

Part Number	Lumens	CCT
NTE-864L927NW	958lm	2700K
NTE-864L930NW	976lm	3000K
NTE-864L935NW	985lm	3500K
NTE-864L940NW	1006lm	4000K

Delivered lumens will vary depending on finish

PRODUCT IMAGES AND DIMENSIONS



MAX Mini LED Track Head

Series	Color Temperature / CRI	Beam Spread	Finish	Adapter Style
NTE-864L	927 = 2700K / 90 CRI	N = Narrow Flood	B = Black W = White	(blank) = H-Style
	930 = 3000K / 90 CRI			/J = J-Style
	935 = 3500K / 90 CRI			/L = L-Style
	940 = 4000K / 90 CRI			

Optional Accessories

Description

- NT-366B** = Round Monopoint Canopy, Black
- NT-366W** = Round Monopoint Canopy, White
- NT-319B** = Square Monopoint Canopy, Black
- NT-319W** = Square Monopoint Canopy, White

Example: **NTE-864L930NB** = MAX Mini LED Track Head, 3000K / 90 CRI, Narrow Flood, Black Finish, H-Style Adapter

PHOTOMETRICS

MAX Mini LED Track Head

Type

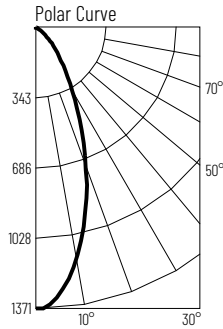
Project

Catalog No.

Notes

Test Information

Test Number: NTT1117R1
 Part Number: NTE-864L927NW
 Beam Spread: 42° Narrow Flood
 Lumens: 958lm
 Wattage: 12.71W
 Efficacy: 75lpw
 CCT / CRI: 2700K / 90 CRI
 Spacing Criteria (0°-180°): 0.68
 Spacing Criteria (90°-270°): 0.68



Illuminance at a Distance

Distance from Luminaire	FC at Nadir	Beam Diameter
4'	85.7fc	3'-1"
6'	38.1fc	4'-7"
8'	21.4fc	6'-1"
10'	13.7fc	7'-8"
12'	9.5fc	9'-2"

Zonal Lumen Summary

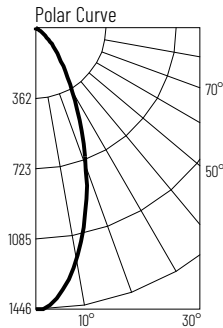
Zone	Lumens	% Luminaire
0-30	562	58.7
0-40	743	77.6
0-60	947	98.9
0-90	958	100
90-180	0	0
0-180	958	100

Candela Table

Vertical Angles	Candela
0	1371
5	1304
15	942
25	532
35	260
45	119

Test Information

Test Number: NTT1118R1
 Part Number: NTE-864L930NW
 Beam Spread: 41° Narrow Flood
 Lumens: 976lm
 Wattage: 12.7W
 Efficacy: 77lpw
 CCT / CRI: 3000K / 90 CRI
 Spacing Criteria (0°-180°): 0.66
 Spacing Criteria (90°-270°): 0.66



Illuminance at a Distance

Distance from Luminaire	FC at Nadir	Beam Diameter
4'	90.4fc	3'
6'	40.2fc	4'-6"
8'	22.6fc	6'
10'	14.5fc	7'-6"
12'	10fc	9'

Zonal Lumen Summary

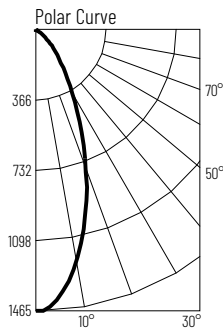
Zone	Lumens	% Luminaire
0-30	649	66.5
0-40	823	84.3
0-60	968	99.2
0-90	976	100
90-180	0	0
0-180	976	100

Candela Table

Vertical Angles	Candela
0	1446
5	1372
15	972
25	540
35	264
45	122

Test Information

Test Number: NTT1119R1
 Part Number: NTE-864L935NW
 Beam Spread: 41° Narrow Flood
 Lumens: 985lm
 Wattage: 12.79W
 Efficacy: 77lpw
 CCT / CRI: 3500K / 90 CRI
 Spacing Criteria (0°-180°): 0.66
 Spacing Criteria (90°-270°): 0.66



Illuminance at a Distance

Distance from Luminaire	FC at Nadir	Beam Diameter
4'	91.5fc	3'
6'	40.7fc	4'-6"
8'	22.9fc	6'
10'	14.6fc	7'-6"
12'	10.2fc	9'

Zonal Lumen Summary

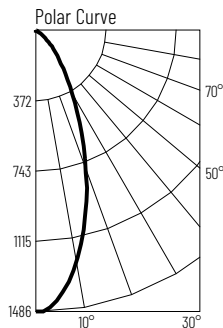
Zone	Lumens	% Luminaire
0-30	659	66.9
0-40	835	84.8
0-60	977	99.2
0-90	985	100
90-180	0	0
0-180	985	100

Candela Table

Vertical Angles	Candela
0	1465
5	1390
15	982
25	554
35	276
45	129

Test Information

Test Number: NTT1120R1
 Part Number: NTE-864L940NW
 Beam Spread: 41° Narrow Flood
 Lumens: 1006lm
 Wattage: 12.75W
 Efficacy: 79lpw
 CCT / CRI: 4000K / 90 CRI
 Spacing Criteria (0°-180°): 0.66
 Spacing Criteria (90°-270°): 0.66



Illuminance at a Distance

Distance from Luminaire	FC at Nadir	Beam Diameter
4'	92.9fc	3'
6'	41.3fc	4'-6"
8'	23.2fc	6'
10'	14.9fc	7'-6"
12'	10.3fc	9'

Zonal Lumen Summary

Zone	Lumens	% Luminaire
0-30	668	66.4
0-40	848	84.3
0-60	998	99.2
0-90	1006	100
90-180	0	0
0-180	1006	100

Candela Table

Vertical Angles	Candela
0	1486
5	1422
15	1009
25	545
35	262
45	120

Finish Multiplier

Finish: Black (0.98), White (1.00)